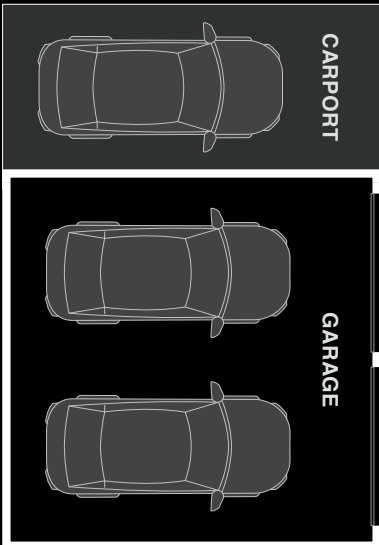


FLOOR PLAN



DETACHED STRUCTURE