

### Schedule

<b>Land</b>	The unexpired term of the Lease	Unit	UP No.	Block	Section	Division/District
				2	32	Chifley
		and known as 38 Gledden Street, Chifley ACT 2606				
<b>Seller</b>	Full name	<b>Michael Alessandro Damo and Meredith Anne Damo</b>				
	ACN/ABN					
	Address	38 Gledden Street, Chifley ACT 2606				
<b>Seller Solicitor</b>	Firm	<b>BAL Lawyers</b>				
	Email	john.bradley@ballawyers.com.au				
	Phone	02 6274 0999	Ref John Bradley			
	DX/Address	GPO Box 240, Canberra ACT 2601				
<b>Stakeholder</b>	Name	Hive Property (ACT) Pty Ltd Trust Account				
<b>Seller Agent</b>	Firm	<b>Hive Property (ACT) Pty Ltd</b>				
	Email	eva@hiveproperty.co				
	Phone	02 6182 1802	Ref Eva Bono			
	DX/Address	Level 1, 4 Campion Street, Deakin ACT 2600				
<b>Restriction on Transfer</b>	Mark as applicable	<input checked="" type="checkbox"/> Nil <input type="checkbox"/> section 370 <input type="checkbox"/> section 280 <input type="checkbox"/> section 306 <input type="checkbox"/> section 351				
<b>Land Rent</b>	Mark one	<input checked="" type="checkbox"/> Non-Land Rent Lease <input type="checkbox"/> Land Rent Lease				
<b>Occupancy</b>	Mark one	<input checked="" type="checkbox"/> Vacant possession <input type="checkbox"/> Subject to tenancy				
<b>Breach of covenant or unit articles</b>	Description (Insert other breaches)	As disclosed in this Contract				
<b>Goods</b>	Description	Fixed floor coverings, window treatments, light fittings as inspected.				
<b>Date for Registration of Units Plan</b>	Not applicable					
<b>Date for Completion</b>	On or before 30 days from the Date of this Contract					
<b>Electronic Transaction?</b>	<input type="checkbox"/> No <input checked="" type="checkbox"/> Yes, using Nominated ELN: PEXA					
<b>Land Tax to be adjusted?</b>	<input type="checkbox"/> No <input checked="" type="checkbox"/> Yes					
<b>Residential Withholding Tax</b>	New residential premises?		<input checked="" type="checkbox"/> No		<input type="checkbox"/> Yes	
	Potential residential land?		<input checked="" type="checkbox"/> No		<input type="checkbox"/> Yes	
	Buyer required to make a withholding payment?		<input checked="" type="checkbox"/> No		<input type="checkbox"/> Yes (insert details on p.3)	
<b>Foreign Resident Withholding Tax</b>	Relevant Price more than \$750,000.00?		<input type="checkbox"/> No		<input type="checkbox"/> Yes	
	Clearance Certificates attached for all the Sellers?		<input checked="" type="checkbox"/> No		<input type="checkbox"/> Yes	

An agent may only complete the details in this black box and exchange this contract. See page 3 for more information.

<b>Buyer</b>	Full name					
	ACN/ABN					
	Address					
<b>Buyer Solicitor</b>	Firm					
	Email					
	Phone		Ref			
	DX/Address					
<b>Price</b>	Price	\$	(GST inclusive unless otherwise specified)			
	Less deposit	\$	(10% of Price)		<input type="checkbox"/> Deposit by Instalments (clause 52 applies)	
	Balance	\$				
<b>Date of this Contract</b>						

<b>Co-Ownership</b>	Mark one (show shares)	<input type="checkbox"/> Joint tenants	<input type="checkbox"/> Tenants in common in the following shares:
---------------------	------------------------	--	---

**Read This Before Signing:** Before signing this Contract you should ensure that you understand your rights and obligations. You should read the important notes on page 3. You should get advice from your solicitor.

<b>Seller signature</b>	<b>Buyer signature</b>
Seller witness name and signature	Buyer witness name and signature

## Seller Disclosure Documents

The following marked documents are attached and form part of this Contract. The Buyer acknowledges that by execution of this Contract the Buyer certifies in writing that the Buyer received the marked documents prior to entering into this Contract.

- Crown lease of the Land (including variations)
- Current certified extract from the land titles register showing all registered interests affecting the Property
- Deposited Plan for the Land
- Energy Efficiency Rating Statement
- Encumbrances shown on the land titles register (excluding any mortgage or other encumbrance to be discharged)
- If there is an encumbrance not shown on the land titles register — a statement about the encumbrance complying with the Civil Law (Sale of Residential Property) Regulations
- Lease Conveyancing Inquiry Documents for the Property
- Building Conveyancing Inquiry Document (except if:
  - the Property is a Class A Unit
  - the residence on the Property has not previously been occupied or sold as a dwelling; or
  - this Contract is an “off-the-plan purchase”)
- Building and Compliance Inspection Report(s) (except if section 9(2)(a)(ii) or section 9(2)(a)(iii) of the Sale of Residential Property Act applies).
- Pest information (except if the property is a Class A Unit or is a residence that has never been occupied): Pest Inspection Report(s).
- Regulated Swimming Pool documentation required under section 9 (1)(ja) of the Sale of Residential Property Act (on and from 1 May 2024).

### If the Property is off-the-plan:

- Proposed plan
- Inclusions list

### If the Property is a Unit where the Units Plan is not registered:

- Inclusions list
- Disclosure Statement

### If the Property is a Unit where the Units Plan is registered:

- Units Plan concerning the Property
- Current certified extract from the land titles register showing all registered interests affecting the Common Property
- Unit Title Certificate
- Registered variations to rules of the Owners Corporation
- (If the Unit is an Adaptable Housing Dwelling) drawings and plans demonstrating compliance with Australian Standard AS 4299-1995 (Adaptable Housing) as in force from time to time
- (If the Owners Corporation is a party to a Building Management Statement) Building Management Statement

### If the Property is a Lot that is part of a Community Title Scheme:

- Section 67 Statement, as first or top sheet
- Community Title Master Plan
- Community Title Management Statement

### If the Property is a Lot that will form part of a Community Title Scheme:

- Proposed Community Title Master Plan or sketch plan
- Proposed Community Title Management Statement

### GST

- Not applicable
- Input taxed supply of residential premises
- Taxable supply (including new residential premises)
- GST-free supply of going concern
- Margin scheme applies

### Tenancy

- Tenancy Agreement
- No written Tenancy Agreement exists

### Invoices

- Building and Compliance Inspection Report
- Pest Inspection Report

### Asbestos

- Asbestos Advice
- Current Asbestos Assessment Report

### Damages for delay in Completion – applicable interest rate and legal costs and disbursements amount (see clause 22)

Interest rate if the defaulting party is the Seller	0% per annum
Interest rate if the defaulting party is the Buyer	10% per annum
Amount to be applied towards legal costs and disbursements incurred by the party not at fault	\$550.00 (GST inclusive)

### Tenancy Summary

Premises		Expiry date	
Tenant name		Rent	
Commencement date		Rent review date	
Term		Rent review mechanism	

### Managing Agent Details for Owners Corporation or Community Title Scheme (if no managing agent, secretary)

Name		Phone	
Address			

# If a home was built before 1990 it may contain dangerous asbestos material

Identify where asbestos materials might be. Five common places are:



- 1. Exterior**  
roof sheeting, gutters, downpipes, ridge capping, eaves, cladding, electrical switchboards



- 5. Building cavities**  
A small number of homes may still contain loose fill asbestos insulation in the roof cavity, wall cavities or sub-floor space



- 2. Wet areas - bathroom, laundry and kitchen**  
wall and ceiling panels, vinyl floor tiles, backing for wall tiles and splashbacks, hot water pipe insulation



- 3. Internal areas**  
wall and ceiling panels, carpet underlay, textured paints, insulation in domestic heaters



- 4. Backyard**  
fences, sheds, garages, carports, dog kennels, buried or dumped waste, letterboxes, swimming pools

# If a home was built before 1990 it may contain dangerous asbestos material



## Assess the risk

A licensed asbestos assessor can help identify asbestos in your home and its condition.

**Asbestos materials become dangerous when:**



Broken or in poor condition



Damaged accidentally



Disturbed during renovation or repairs



Loose fill asbestos insulation



## Manage asbestos safely

- Monitor the condition of asbestos in your home
- Inform tradespeople of locations of asbestos in your home
- Avoid disturbing or damaging asbestos if working on your home
- Engage a licensed asbestos removalist to remove asbestos

If you suspect your home contains loose fill asbestos insulation, contact Access Canberra

For more information, visit [www.worksafe.act.gov.au](http://www.worksafe.act.gov.au) or call Access Canberra contact centre – 13 22 81  
If you need interpreting help, telephone the Translating and Interpreting Service on 131 450

\*Advice based on the Asbestos Safety and Eradication Agency's residential asbestos disclosure research.

## RW Amount

(residential withholding payment) — further details

The supplier will frequently be the Seller. However, sometimes further information will be required as to which entity is liable for GST (eg if the Seller is part of a GST group, where the GST representative has the GST liability). If more than one supplier, provide details for each supplier.

<b>Supplier</b>	Name			
	ABN		Phone	
	Business address			
	Email			
<b>Residential Withholding Tax</b>	Supplier's portion of the RW Amount:		\$	
	RW Percentage:			%
	RW Amount (ie the amount that the Buyer is required to pay to the ATO):		\$	
	Is any of the consideration not expressed as an amount in money?	<input type="checkbox"/> No	<input type="checkbox"/> Yes	
	If 'Yes', the GST inclusive market value of the non-monetary consideration:		\$	
	Other details (including those required by regulation or the ATO forms):			

## Cooling Off Period

(for residential property only)

- 1 The Buyer may rescind this Contract at any time before 5pm on the 5th Business Day after the day this Contract is made except if any circumstance in paragraph 2 applies.
- 2 There is no cooling off period if:
  - the Buyer is a corporation; or
  - the Property is sold by tender; or
  - the Property is sold by auction; or
  - before signing this Contract, the Buyer gives the Seller a certificate in the form required by the Sale of Residential Property Act signed by the Buyer Solicitor; or
  - this Contract is made on the same day the Property was offered for sale by auction but passed in and the Buyer was recorded in the bidders record as a bidder or a person for whom a bidder was bidding.
- 3 A Buyer exercising the cooling off right by rescinding this Contract forfeits 0.25% of the Price. The Seller is entitled to recover the amount forfeited from the Deposit and the Buyer is entitled to a refund of any balance.

## Warnings

- 1 The Lease may be affected by the *Residential Tenancies Act 1997 (ACT)* or the *Leases (Commercial & Retail) Act 2001 (ACT)*.
- 2 If a consent to transfer is required by law, see clause 4 as to the obligations of the parties.
- 3 As some risks associated with the Property pass from the Seller to Buyer on the Date of this Contract, (except if the Property is a Unit) the Buyer should take out insurance on the Property on the Date of this Contract.
- 4 The Buyer will usually have to pay stamp duty on the purchase of the Land. The Buyer may incur penalties if the Buyer does not pay the stamp duty within the required time.
- 5 There are serious risks to a Buyer releasing the Deposit before Completion. The Buyer should take legal advice before agreeing to release the Deposit.
- 6 The Buyer should consider the application of the Territory Plan and other planning and heritage issues before signing this Contract.
- 7 If the Lease is a concessional lease then restrictions on transfer and other dealings may apply.

## Disputes

If there is a dispute, the Law Society encourages the use of informal procedures such as negotiation, independent expert appraisal or mediation to resolve the dispute.

## Exchange of Contract

- 1 An Agent, authorised by the Seller, may:
  - insert:
    - the name and address of, and contact details for, the Buyer;
    - the name and address of, and contact details for, the Buyer Solicitor;
    - the Price;
    - the Date of this Contract,
  - insert in, or delete from, the Goods; and
  - exchange this Contract.
- 2 An Agent must not otherwise insert, delete or amend this Contract.
- 3 **The Agent must not exchange this Contract unless expressly authorised by the Seller or (if a solicitor is acting for the Seller) by the Seller or the Seller Solicitor.**

The Seller agrees to sell and the Buyer agrees to buy the Property for the Price on these terms:

### 1. Definitions and interpretation

- 1.1 Definitions appear in the Schedule and as follows:

**Affecting Interests** means any mortgage, encumbrance, lease, lien, charge, notice, order, caveat, writ, or other interest;

**Adaptable Housing Dwelling** has the meaning in the Sale of Residential Property Act;

**Agent** has the meaning in the Sale of Residential Property Act;

**ATO** means the Australian Taxation Office, and includes the Commissioner for Taxation;

**Balance of the Price** means the Price less the Deposit;

**Breach of Covenant** means:

- a Development not approved under the Planning Act including a development for which design and siting approval has not been obtained;
- a breach of the Building and Development Provision;

- a breach of any obligation of the Seller in a registered restrictive covenant affecting the Lease;
- a breach of any other term of the Lease;
- a breach of the articles of the Owners Corporation (if the Property is a Unit); or
- an Unapproved Structure;

**Building Act** means the *Building Act 2004* (ACT);

**Building and Development Provision** has the meaning in the Planning Act;

**Building Conveyancing Inquiry Document** has the meaning in the Sale of Residential Property Act;

**Building and Compliance Inspection Report** has the meaning in the Sale of Residential Property Act;

**Building Management Statement** has the meaning in the Land Titles Act;

**Business Day** means any day other than a Saturday, Sunday, public holiday or bank holiday in the Australian Capital Territory;

**Class A Unit** has the meaning in the Sale of Residential Property Act;

**Common Property** for a Unit has the meaning in the Unit Titles Act;

**Common Property** for a Lot that forms part of a Community Title Scheme has the meaning in the Community Title Act;

**Community Title Act** means the *Community Title Act 2001* (ACT);

**Community Title Body Corporate** means the entity referred to as such in the Community Title Act;

**Community Title Management Statement** has the meaning in the Community Title Act;

**Community Title Master Plan** has the meaning in the Community Title Act;

**Community Title Scheme** has the meaning in the Community Title Act;

**Completion** means the time at which this Contract is completed and **Completed** has a corresponding meaning;

**Compliance Certificate** means a certificate issued for the Lease under section 296 of the *Planning and Development Act 2007*, Division 10.12.2 of the Planning Act or under section 28 of the *City Area Leases Act 1936* or under section 180 of the Land Act;

**Covenant** includes a restrictive covenant;

**Default Notice** means a notice in accordance with clause 18.5 and clause 18.6

**Default Rules** has the meaning in the Unit Titles Management Act;

**Deposit** means the deposit forming part of the Price;

**Developer** in respect of a Lot has the meaning in the Community Title Act;

**Developer Control Period** has the meaning in the Unit Titles Management Act;

**Development** has the meaning in the Planning Act;

**Development Statement** has the meaning in the Unit Titles Act;

**Disclosure Statement** has the meaning in the Property Act;

**Disclosure Update Notice** has the meaning in section 260(2) of the Property Act;

**Encumbrance** has the meaning in the Sale of Residential Property Act but excludes a mortgage;

**Energy Efficiency Rating Statement** has the meaning in the Sale of Residential Property Act;

**Excluded Change** has the meaning in section 259A(4) of the Property Act;

**General Fund Contribution** has the meaning in section 78(1) of the Unit Titles Management Act;

**GST** has the meaning in the *A New Tax System (Goods and Services Tax) Act 1999* (Cth);

**GST Rate** means the prevailing rate of GST specified as a percentage;

**Improvements** means the buildings, structures and fixtures erected on and forming part of the Land;

**Income** includes the rents and profits derived from the Property;

**Land Act** means the *Land (Planning & Environment) Act 1991* (ACT);

**Land Charges** means rates, land rent, land tax and other taxes and outgoings of a periodic nature in respect of the Property;

**Land Rent Act** means the *Land Rent Act 2008* (ACT);

**Land Rent Lease** means a Lease that is subject to the Land Rent Act;

**Land Titles Act** means the *Land Titles Act 1925* (ACT);

**Lease** means the lease of the Land having the meaning in the Planning Act;

**Lease Conveyancing Inquiry Document** has the meaning in the Sale of Residential Property Act;

**Legislation Act** means the *Legislation Act 2001*;

**Liability of the Owners Corporation** means any actual or contingent liability of the Owners Corporation attributable to the Unit on a Unit Entitlement basis (other than normal operating expenses) or expenditure to be made by the Owners Corporation to fulfil its obligations under the Unit Titles Management Act;

**Lot** has the meaning in the Community Title Act;

**Non-Land Rent Lease** means a Lease that is not subject to the Land Rent Act;

**Notice to Complete** means a notice in accordance with clause 18.1 and clause 18.2 requiring a party to complete;

**Owners Corporation** means the Owners Corporation for the Unit constituted or to be constituted under the Unit Titles Management Act following registration of the Units Plan;

**Pest Inspection Report** has the meaning in the Sale of Residential Property Act;

**Pest Treatment Certificate** has the meaning in the Sale of Residential Property Act;

**Planning Act** means the *Planning Act 2023* (ACT);

**Planning and Land Authority** has the meaning in the Legislation Act;

**Prescribed Building** has the meaning in the Building Act;

**Prescribed Terms** has the meaning in the Residential Tenancies Act;

**Property** means the unexpired term of the Lease, the Improvements and the Goods, or (if the Land is a Unit) the unexpired term of the Unit Lease, the Improvements and the Goods;

**Property Act** means the *Civil Law (Property) Act 2006* (ACT);

**Required Documents** has the meaning in the Sale of Residential Property Act and includes a Unit Title Certificate but excludes a copy of this Contract;

**Rescission Notice** has the meaning in the Sale of Residential Property Act;

**Residential Tenancies Act** means the *Residential Tenancies Act 1997* (ACT);

**Sale of Residential Property Act** means the *Civil Law (Sale of Residential Property) Act 2003* (ACT);

**Section 56 Certificate** means a certificate for a Lot issued under section 56 of the Community Title Act;

**Section 67 Statement** means a statement for a Lot complying with section 67(2)-(4) of the Community Title Act;

**Service** includes air, communication, drainage, electricity, garbage, gas, oil, radio, sewerage, telephone, television, or water service;

**Staged Development** has the meaning given by section 17(4) of the Unit Titles Act;

**Tenancy Agreement** includes a lease for any term and whether for residential purposes or otherwise;

**Unapproved Structure** has the meaning in the Sale of Residential Property Act;

**Unit** means the Unit referred to in the Schedule and which has the meaning in the Unit Titles Act;

**Unit Entitlement** for the Unit has the meaning in the Unit Titles Act;

**Unit Title** is the Lease together with the rights of the registered lessee of the Unit;

**Unit Title Certificate** means a certificate for the Unit issued under section 119 of the Unit Titles Management Act;

**Unit Titles Act** means the *Unit Titles Act 2001* (ACT);

**Unit Titles Management Act** means the *Unit Titles (Management) Act 2011* (ACT);

**Units Plan** means all the documents relating to the subdivision of the Land registered as the Units Plan for the Unit under the *Land Titles (Unit Titles) Act 1970*; and

**Withholding Law** means Subdivision 14 of Schedule 1 of the *Taxation Administration Act 1953* (Cth) and associated provisions.

## 1.2 In this Contract:

- a reference to the Seller or to the Buyer includes the executors, administrators and permitted assigns of any of them, if an individual, and the successors or permitted assigns of any of them, if a corporation;
- the singular includes the plural, and the plural includes the singular;
- a reference to a person includes a body corporate;
- a term not otherwise defined has the meaning in the Legislation Act; and
- a reference to an Act includes a reference to any subordinate legislation made under it or any Act which replaces it.

1.3 Headings are inserted for convenience only and are not part of this Contract.

1.4 If the time for something to be done or to happen is not a Business Day, the time is extended to the next Business Day, except in the case of clause 2.1.

1.5 A reference to “this Contract” extends to the Schedule, any annexure, additional clauses and attachments forming part of this Contract.

1.6 If there is more than one buyer or more than one seller the obligations which they undertake bind them jointly and individually.

1.7 Where the Buyer consists of more than one person, as between themselves, they agree to buy the Property in the specified manner of Co-ownership or if one alternative is not marked, as joint tenants.

1.8 Without limiting clause 13, the parties agree that for the purposes of the *Electronic Transactions Act 2001* (ACT) and the *Electronic Transactions Act 1999* (Cth), this Contract may be signed and/or exchanged electronically.

## 2. Terms of payment

2.1 The Buyer must pay the Deposit on the Date of this Contract, to the Stakeholder or, if no Stakeholder is named, then to the Seller.

2.2 The Deposit becomes the Seller’s property on Completion.

2.3 The Deposit may be paid by cheque or in cash (up to \$3,000.00) but if it is not paid on time or, if it is paid by cheque which is not honoured on first presentation, the Buyer is in default.

2.4 If the Buyer is in default under clause 2.3, then immediately and without the notice otherwise necessary under clause 18, clause 19 applies.

2.5 On Completion the Buyer must give the Seller an authority directing the Stakeholder to account to the Seller for the Deposit.

2.6 On Completion the Buyer must pay to the Seller in Canberra the Balance of the Price by unendorsed bank cheque, or in cash (up to \$200.00).

2.7 Any money payable to the Seller by the Buyer or the Stakeholder must be paid to the Seller or as the Seller Solicitor directs in writing and payment in accordance with that direction will be sufficient discharge to the person paying.

2.8 Completion must take place on the Date for Completion or as otherwise determined by this Contract and if not specified or determined, within a reasonable time.

### 3. Title to the Lease

- 3.1 The Lease is or will before Completion be granted under the Planning Act.
- 3.2 The Lease is transferred subject to its provisions.
- 3.3 The title to the Lease is or will before Completion be registered under the Land Titles Act.
- 3.4 The title to the Lease must be transferred free from all Affecting Interests except as otherwise provided.
- 3.5 The Buyer cannot insist on any Affecting Interests being removed from the title to the Lease before Completion provided, on Completion, the Seller gives the Buyer any documents and registration fees necessary to remove the Affecting Interests.

### 4. Restrictions on transfer

- 4.1 The Lease is not subject to any restrictions on transfer other than any Restriction on Transfer.
- 4.2 If the Lease is subject to a Restriction on Transfer under the Planning Act due to non-compliance with the Building and Development Provision then this Contract is subject to the grant of the approval referred to in section 370 of the Planning Act. A Restriction on Transfer referring to “section 370” refers to this restriction.
- 4.3 If the Lease is a lease of the type referred to in section 279 of the Planning Act then this Contract is subject to the approval in accordance with the Planning Act. A Restriction on Transfer referring to “section 280” refers to this restriction.
- 4.3A If the Lease is subject to a Restriction on Transfer under section 306 of the Planning Act, then this Contract is subject to the grant of the approval mentioned in sections 306 and 307 of the Planning Act. A Restriction on Transfer referring to “section 306” refers to this restriction.
- 4.3B If the Lease is subject to a Restriction on Transfer under section 351 of the Planning Act, then this Contract is subject to the grant of the approval mentioned in section 351 of the Planning Act. A Restriction on Transfer referring to “section 351” refers to this restriction. Immediately after the Date of this Contract the Seller must do everything reasonably necessary to remove the restriction or obtain the consent required. If requested in writing, the Buyer must join in any application of the Seller and must do everything reasonably necessary to enable the Seller to obtain the consent. The Seller must pay all associated fees in connection with the application.

- 4.4 If the consent referred to in clauses 4.2, 4.3, 4.3A or 4.3B is not granted by the Date for Completion then either party may rescind this Contract (provided that the party seeking to rescind is not then in default) and clause 21 applies.

### 5. Particulars of title and submission of transfer

- 5.1 Unless clause 5.3 applies the Seller need not provide particulars of title.
- 5.2 No later than 7 days before the Date for Completion, the Buyer must give the Seller a transfer of the Lease in the form prescribed by the Land Titles Act, to be returned by the Seller to the Buyer on Completion in registrable form.
- 5.3 If the Seller is not the registered proprietor of the Lease at the Date of this Contract, the Seller must give to the Buyer no later than 14 days before the Date for Completion a copy of the instrument and any other documents necessary to enable the Seller to be registered as proprietor.

### 6. Buyer rights and limitations

- 6.1 If the Buyer establishes before Completion that except as disclosed in this Contract there is any Unapproved Structure on the Property, then the Buyer may:
  - 6.1.1 require the Seller to arrange for the Unapproved Structure to be approved before Completion; and
  - 6.1.2 if the Unapproved Structure is not approved before Completion, rescind or complete and sue the Seller for damages.
- 6.2 If the Buyer establishes, immediately before Completion, that, except as disclosed in this Contract:
  - 6.2.1 the Property is subject to an encumbrance other than the encumbrances shown on the title to the Lease; or
  - 6.2.2 the Buyer is not entitled to vacant possession, then the Buyer may either:
    - 6.2.3 rescind; or
    - 6.2.4 complete and sue the Seller for damages.
- 6.3 The Buyer is not entitled to make any requisitions on the title to the Property.
- 6.4 The Buyer cannot make a claim or objection or rescind or terminate in respect of:
  - 6.4.1 a Service for the Property being a joint service or passing through another property, or any Service for another property passing through the Property;
  - 6.4.2 a wall being or not being a party wall or the Property being affected by an

easement for support or not having the benefit of an easement for support;

- 6.4.3 any change in the Property due to fair wear and tear before Completion;
- 6.4.4 a promise, representation or statement about this Contract, the Property or the Lease, not made in this Contract;
- 6.4.5 any Breach of Covenant described in the Schedule or disclosed elsewhere in this Contract;
- 6.4.6 the ownership or location of any dividing fence;
- 6.4.7 the ownership of any fuel storage tank; and
- 6.4.8 anything disclosed in this Contract (except an Affecting Interest).

## 7. Seller warranties

7.1 The Seller warrants that at the Date of this Contract:

- 7.1.1 the Seller will be able to complete at Completion;
- 7.1.2 the Seller has no knowledge of any unsatisfied judgment, order or writ affecting the Property;
- 7.1.3 the Seller has no knowledge of any current or threatened claims, notices or proceedings that may lead to a judgment, order or writ affecting the Property; and
- 7.1.4 the Seller is not aware of any material change in the matters disclosed in the Required Documents.

7.2 The Seller warrants that on Completion:

- 7.2.1 the Seller will be or will be able to be the registered proprietor of the Lease and will own the rest of the Property free from any Affecting Interests;
- 7.2.2 the Seller will have the capacity to complete;
- 7.2.3 there will be no unsatisfied judgment, order or writ affecting the Property;
- 7.2.4 the Seller has no knowledge of any current or threatened claims, notices or proceedings that may lead to a judgment, order or writ affecting the Property;
- 7.2.5 the Seller is not aware of any encroachments by or upon the Property except as disclosed. This warranty does not extend to the location of any dividing fence;
- 7.2.6 there will be no Breach of Covenant except as disclosed in this Contract; and
- 7.2.7 unless disclosed in the Schedule or elsewhere in this Contract, the Lease is a

Non-Land Rent Lease and not a Land Rent Lease.

- 7.3 The Seller gives no warranties as to the present state of repair of any of the Improvements or condition of the Land, except as required by law.

## 8. Adjustments

- 8.1 The Seller is entitled to the Income and is liable for all Land Charges up to and including Completion after which the Buyer will be entitled to the Income and liable for the Land Charges, provided the Seller will be liable for all land tax in respect of the Property if the 'Land Tax to be adjusted?' option on the Schedule is marked 'No'.
- 8.2 The parties must pay any adjustment of the Income and Land Charges calculated under clause 8.1 on Completion.
- 8.3 Any concessional Land Charges must be adjusted on the concessional amount of those Land Charges.
- 8.4 If any of the Land Charges have not been assessed on Completion, the Buyer will be entitled to retain in the Buyer Solicitor trust account from the Balance of the Price an amount sufficient to pay the Seller's proportion of those Land Charges.
- 8.5 Attached are copies of the relevant invoices for the cost of obtaining the Building and Compliance Inspection Report and Pest Inspection Report. The Buyer must pay to the Seller the cost of obtaining the Building and Compliance Inspection Report and the Pest Inspection Report as required by section 18 of the Sale of Residential Property Act on Completion.

## 9. Terms of possession

- 9.1 The Seller must give the Buyer vacant possession of the Property on Completion unless otherwise marked in the Schedule.
- 9.2 If the Property is sold subject to a tenancy, the Seller has:
  - 9.2.1 attached to this Contract a copy of the signed Tenancy Agreement; or
  - 9.2.2 completed the tenancy summary on page 2 of this Contract.
- 9.3 If the Property is sold subject to a tenancy:
  - 9.3.1 the Seller warrants that except as disclosed in this Contract:
    - (a) if applicable, the rental bond has been provided in accordance with the Residential Tenancies Act;
    - (b) if applicable, the Seller has complied with the Residential Tenancies Act;

- (c) if applicable, the Seller has no notice of any application by the tenant for the release of the rental bond;
- (d) no notices relating to the tenancy have been served on the Seller or any agent of the Seller or on the tenant other than as disclosed in this Contract and there are no outstanding claims or disputes with the tenant;
- (e) there is no unremedied breach of the Tenancy Agreement by the tenant or the Seller; and
- (f) if applicable, the Tenancy Agreement incorporates:
  - (i) the Prescribed Terms; and
  - (ii) any other terms approved by the Residential Tenancies Tribunal.

9.3.2 The Seller must hand to the Buyer on Completion:

- (a) any written Tenancy Agreement to which this Contract is subject;
- (b) a notice of attornment;
- (c) if applicable, any notice required to be signed by the Seller to transfer the rental bond by the Office of Rental Bonds to the Buyer; and
- (d) if applicable, any other notice required to be signed by the Seller under the Residential Tenancies Act.

9.3.3 The Buyer indemnifies the Seller in relation to any liability which the Seller incurs or to which the Seller is subject under the tenancy because of matters occurring after Completion.

## 10. Inspection and condition of Property

- 10.1 The Buyer may on reasonable notice to the Seller and at reasonable times inspect the Property before Completion.
- 10.2 The Seller must leave the Property clean and tidy on Completion.

## 11. Inspection of building file

- 11.1 The Seller must, if requested by the Buyer, give to the Buyer all authorities necessary to enable the Buyer (or Buyer's nominee) to inspect and obtain at the Buyer's expense, copies of:
  - 11.1.1 any document in relation to the Land and Improvements held by any government or statutory authority; and

- 11.1.2 any notices issued by any authority in relation to the Land and Improvements.

## 12. Additional Seller obligations

12.1 Except for any Breach of Covenant disclosed in this Contract, the Seller must before Completion:

- 12.1.1 comply with any notice issued by any authority before the Date of this Contract which requires work to be done or money to be spent on or in relation to the Property or the Lease;
- 12.1.2 obtain approval for any Development conducted on the Land;
- 12.1.3 comply with the Lease to the extent to which the Seller is required to comply up to Completion;
- 12.1.4 comply with any obligations on the Seller in a registered restrictive covenant affecting the Lease; and
- 12.1.5 give the Buyer notice of any material change (other than fair wear and tear) the Seller becomes aware of in the matters disclosed in the Required Documents, since the date of each of the relevant Required Documents.

## 13. Electronic transaction

13.1 In this clause 13, the following words mean:

**Adjustment Figures** mean details of the adjustments to be made to the Price under this Contract;

**Completion Time** means the time of day on the Date for Completion when the Electronic Transaction is to be Completed;

**Conveyancing Transaction** has the meaning given in the Participation Rules;

**Digitally Signed** has the meaning given in the Participation Rules and **Digitally Sign** has a corresponding meaning;

**Discharging Mortgagee** means any discharging mortgagee, chargee, covenant chargee or caveator whose provision of a Digitally Signed discharge of mortgage, discharge of charge or withdrawal of caveat is required in order for unencumbered title to the Lease to be transferred to the Buyer;

**ECNL** means the *Electronic Conveyancing National Law (ACT) Act 2020 (ACT)*;

**Effective Date** means the date on which the Conveyancing Transaction is agreed to be an Electronic Transaction under clause 13.2.2 or, if clause 13.2.1 applies, the Date of this Contract;

**Electronic Document** means a caveat, a Crown lease or an instrument as defined in the Land Titles Act which may be created and Digitally Signed in an Electronic Workspace;

**Electronic Transaction** means a Conveyancing Transaction to be conducted for the parties by their legal representatives as Subscribers using an ELN and in accordance with the ECNL and the Participation Rules;

**Electronic Transfer** means a transfer of the Lease under the Land Titles Act to be prepared and Digitally Signed in the Electronic Workspace established for the purposes of the parties' Conveyancing Transaction;

**Electronic Workspace** has the meaning given in the Participation Rules;

**Electronically Tradeable** means a land title dealing that can be lodged electronically;

**ELN** has the meaning given in the Participation Rules;

**FRCGW Remittance** means a remittance which the Buyer must make in accordance with the Withholding Law and clauses 51.4 to 51.8;

**GSTRW Payment** means a payment which the Buyer must make in accordance with the Withholding Law and clauses 53.5 to 53.9;

**Incoming Mortgagee** means any mortgagee who is to provide finance to the Buyer on the security of the Lease and to enable the Buyer to pay the whole or part of the price;

**Land Registry** has the meaning given in the Participation Rules;

**Lodgment Case** has the meaning given in the Participation Rules;

**Mortgagee Details** mean the details which a party to the Electronic Transaction must provide about any Discharging Mortgagee of the Land as at Completion;

**Nominated ELN** means the ELN specified in the Schedule;

**Participation Rules** mean the participation rules as determined by the ECNL;

**Populate** means to complete data fields in the Electronic Workspace;

**Prescribed Requirement** has the meaning given in the Participation Rules;

**Subscribers** has the meaning given in the Participation Rules; and

**Title Data** means the details of the title to the Lease made available to the Electronic Workspace by the Land Registry.

- 13.2 This Conveyancing Transaction is to be conducted as an Electronic Transaction and this Contract is amended as required if:
- 13.2.1 this Contract says that it is an Electronic Transaction; or
  - 13.2.2 the parties otherwise agree that it is to be conducted as an Electronic Transaction.
- 13.3 However, this Conveyancing Transaction is not to be conducted as an Electronic Transaction:
- 13.3.1 if the title to the Lease is not Electronically Tradeable or the transfer of the Lease is not eligible to be lodged electronically; or
  - 13.3.2 if, at any time after the Effective Date, but at least 14 days before the Date for Completion, a party serves a notice on the other party stating a valid reason why it cannot be conducted as an Electronic Transaction.
- 13.4 If, because of clause 13.3.2, this Conveyancing Transaction is not to be conducted as an Electronic Transaction:
- 13.4.1 each party must:
    - (a) bear equally any disbursements or fees; and
    - (b) otherwise bear that party's own costs; incurred because this Conveyancing Transaction was to be conducted as an Electronic Transaction; and
  - 13.4.2 if a party has paid all of a disbursement or fee which by reason of this clause, is to be borne equally by the parties, that amount must be adjusted on Completion.
- 13.5 If this Conveyancing Transaction is to be conducted as an Electronic Transaction:
- 13.5.1 to the extent that any other provision of this Contract is inconsistent with this clause, the provisions of this clause prevail and this Contract is amended to give full effect to the Electronic Transaction;
  - 13.5.2 without limiting clause 13.5.1, clause 5.2 does not apply;
  - 13.5.3 the parties must conduct the Electronic Transaction:
    - (a) in accordance with the Participation Rules and the ECNL; and
    - (b) using the Nominated ELN, unless the parties otherwise agree;
  - 13.5.4 a party must pay the fees and charges payable by that party to the ELN and the

- Land Registry as a result of this transaction being an Electronic Transaction; and
- 13.5.5 a document which is an Electronic Document is served as soon as it is first Digitally Signed in the Electronic Workspace on behalf of the party required to serve it.
- 13.6 The Seller must within 7 days of the Effective Date:
- 13.6.1 create an Electronic Workspace;
- 13.6.2 Populate the Electronic Workspace with Title Data, the Date for Completion and, if applicable, Mortgagee Details; and
- 13.6.3 invite the Buyer and any Discharging Mortgagee to the Electronic Workspace.
- 13.7 If the Seller has not created an Electronic Workspace in accordance with clause 13.6, the Buyer may create an Electronic Workspace. If the Buyer creates the Electronic Workspace the Buyer must:
- 13.7.1 Populate the Electronic Workspace with Title Data;
- 13.7.2 create and Populate the Electronic Transfer;
- 13.7.3 Populate the Electronic Workspace with the Date for Completion and a nominated Completion Time; and
- 13.7.4 invite the Seller and any Incoming Mortgagee to join the Electronic Workspace.
- 13.8 Within 7 days of receiving an invitation from the Seller to join the Electronic Workspace, the Buyer must:
- 13.8.1 join the Electronic Workspace;
- 13.8.2 create and Populate the Electronic Transfer;
- 13.8.3 invite any Incoming Mortgagee to join the Electronic Workspace; and
- 13.8.4 Populate the Electronic Workspace with a nominated Completion Time.
- 13.9 If the Buyer has created the Electronic Workspace the Seller must within 7 days of being invited to the Electronic Workspace:
- 13.9.1 join the Electronic Workspace;
- 13.9.2 Populate the Electronic Workspace with Mortgagee Details, if applicable; and
- 13.9.3 invite any Discharging Mortgagee to join the Electronic Workspace.
- 13.10 To complete the financial settlement schedule in the Electronic Workspace:
- 13.10.1 the Seller must provide the Buyer with Adjustment Figures at least 2 Business Days before the Date for Completion;
- 13.10.2 the Buyer must confirm the Adjustment Figures at least 1 Business Day before the Date for Completion; and
- 13.10.3 if the Buyer must make a GSTRW Payment and / or an FRCGW Remittance, the Buyer must Populate the Electronic Workspace with the payment details for the GSTRW Payment or FRCGW Remittance payable to the ATO at least 2 Business Days before the Date for Completion.
- 13.11 Before Completion, the parties must ensure that:
- 13.11.1 all Electronic Documents which a party must Digitally Sign to complete the Electronic Transaction are Populated and Digitally Signed;
- 13.11.2 all certifications required by the ECNL are properly given; and
- 13.11.3 they do everything else in the Electronic Workspace which that party must do to enable the Electronic Transaction to proceed to Completion.
- 13.12 If Completion takes place in the Electronic Workspace:
- 13.12.1 payment electronically on Completion of the Balance of the Price in accordance with clause 2.6 is taken to be payment by a single unendorsed bank cheque; and
- 13.12.2 clauses 51.4.3, 51.4.4, 53.8 and 53.9 do not apply.
- 13.13 If the computer systems of any of the Land Registry, the ELN, the ATO or the Reserve Bank of Australia are inoperative for any reason at the Completion Time agreed by the parties, a failure to complete this Contract for that reason is not a default under this Contract on the part of either party.
- 13.14 If the computer systems of the Land Registry are inoperative for any reason at the Completion Time agreed by the parties, and the parties agree that financial settlement is to occur despite this, then on financial settlement occurring:
- 13.14.1 all Electronic Documents Digitally Signed by the Seller, any discharge of mortgage, withdrawal of caveat or other Electronic Document forming part of the Lodgment Case for the Electronic Transaction shall be taken to have been unconditionally and irrevocably delivered to the Buyer or

the Buyer's mortgagee at the time of financial settlement; and

13.14.2 the Seller shall be taken to have no legal or equitable interest in the Property.

13.15 If the parties do not agree about the delivery before Completion of one or more documents or things that cannot be delivered through the Electronic Workspace, the party required to deliver the documents or things:

13.15.1 holds them on Completion in escrow for the benefit of the other party; and

13.15.2 must immediately after Completion deliver the documents or things to, or as directed by the party entitled to them.

## 14. Off the plan purchase and Compliance Certificate

14.1 If the Lease contains a Building and Development Provision which has not been complied with at the Date of this Contract, and clause 4.2 does not apply:

14.1.1 where the Seller is obliged to construct Improvements by Completion, before the Date for Completion, the Seller must at the Seller's expense complete the construction of the Improvements promptly and in a good and workmanlike manner substantially in accordance with the proposed plan, specifications and inclusions list attached; and

14.1.2 on or before Completion, the Seller must at the Seller's expense give to the Buyer evidence that a Compliance Certificate has been obtained.

## 15. Goods

15.1 The Seller gives no warranties as to the present state of repair of any of the Goods except as required by law.

15.2 The Goods are included in the Price.

15.3 The Seller warrants that the Goods are unencumbered and that the Seller has the right to sell them.

15.4 The Goods become the Buyer's property on Completion.

15.5 Except for fair wear and tear, the Seller must give the Goods to the Buyer on Completion in the same state of repair they are in at the Date of this Contract.

## 16. Errors and misdescriptions

16.1 If, before Completion, the Buyer becomes aware of an error in the description of the Property the Buyer may:

16.1.1 identify whether the error is material or not material, and ask the Seller to arrange for the error to be corrected before Completion; and

16.1.2 if the error is not corrected before Completion:

(a) for an error that is material — rescind this Contract, or complete this Contract and make a claim for compensation; and

(b) for an error that is not material — complete this Contract and make a claim for compensation.

16.2 This clause applies even if the Buyer did not take notice of or rely on anything in this Contract containing or giving rise to the error or misdescription.

16.3 The Buyer is not entitled to compensation to the extent the Buyer knew the true position before the Date of this Contract.

## 17. Compensation claims by Buyer

17.1 To make a claim for compensation (including a claim under clause 16) the Buyer must give notice to the Seller before Completion specifying the amount claimed and:

17.1.1 the Seller can rescind if in the case of a claim that is not a claim for delay:

(a) the total amount claimed exceeds 5% of the Price;

(b) the Seller gives notice to the Buyer of an intention to rescind; and

(c) the Buyer does not give notice to the Seller waiving the claim within 14 days after receiving the notice; and

17.1.2 if the Seller does not rescind under clause 17.1.1, the parties must complete and:

(a) the lesser of the total amount claimed and 5% of the Price must be paid out of the Price to, and held by, the Stakeholder until the claim is finalised or lapses;

(b) the amount held is to be invested by the Stakeholder (at the risk of the party who becomes entitled to it) with an Australian bank in an interest-bearing account at call in the name of

- the Stakeholder in trust for the Seller and the Buyer;
- (c) the claim must be finalised by an arbitrator appointed by the parties or, if an appointment is not made within 28 days of Completion, by an arbitrator appointed by the President of the Law Society of the Australian Capital Territory at the request of a party;
  - (d) the decision of the arbitrator is final and binding;
  - (e) the costs of the arbitration must be shared equally by the parties unless otherwise determined by the arbitrator. For clarity, the arbitrator has the power to award indemnity costs on a legal basis against either party;
  - (f) the Buyer is not entitled, in respect of the claim, to more than the total amount claimed and the costs of the Buyer;
  - (g) interest on the amount held, after deduction of all taxes and bank charges, Stakeholder administration fee and other similar charges and expenses, must be paid to the parties equally or as otherwise determined by the arbitrator; and
  - (h) the claim lapses if the parties do not appoint an arbitrator and neither party asks the President of the Law Society of the Australian Capital Territory to appoint an arbitrator within 90 days after Completion and the amount held by the Stakeholder must be paid immediately to the Seller without any further authority being necessary.
- 18.3.2 be ready willing and able to complete but for some default or omission of the other party.
- 18.4 Completion at the time date and place specified in the Notice to Complete is an essential term.
- 18.5 Where one party is in default (other than failing to complete) the other party may at any time after the default serve the party in default a Default Notice.
- 18.6 A Default Notice:
- 18.6.1 must specify the default;
  - 18.6.2 must require the party served with the Default Notice to rectify the default within 7\* days after service of the Default Notice (excluding the date of service), except in the case of a Default Notice for the purposes of clause 52.6, in which case the period specified in clause 52.6 will apply; and
  - 18.6.3 cannot be used to require a party to complete this Contract.
- 18.7 At the time the Default Notice is served, the party serving the Default Notice must not be in default.
- 18.8 The time specified in a Default Notice to rectify the specified default is an essential term.
- 18.9 Clauses 19 or 20 will apply as appropriate where the party served does not comply with the Notice to Complete or the Default Notice which complies with this clause.
- 18.10 If the party serving a notice under this clause varies the time referred to in the notice at the request of the other party, the time agreed to in the variation remains an essential term. The consent to the variation must be in writing and be served on the other party.
- 18.11 The parties agree that the time referred to in clauses 18.2 and 18.6.2 is fair and reasonable.

## 18. Notice to Complete and Default Notice

- 18.1 If Completion does not take place in accordance with clause 2.8, either party may, at any time after the Date for Completion, serve the other party a Notice to Complete.
- 18.2 A Notice to Complete must appoint a time during business hours and a date being not less than 14\* days after service of the Notice to Complete (excluding the date of service) by which and a place in Canberra at which to complete this Contract.
- 18.3 At the time the Notice to Complete is served the party serving the Notice to Complete must:
- 18.3.1 not be in default; and

## 19. Termination — Buyer default

- 19.1 If the Buyer does not comply with a Notice to Complete or a Default Notice or is otherwise in breach of an essential term then the Seller may by notice served on the Buyer terminate and may then keep, or recover and keep, the Deposit (except so much of it as exceeds 10% of the Price) and either:
- 19.1.1 sue the Buyer for breach; or
  - 19.1.2 resell the Property and any deficiency arising on the resale and all expenses of and incidental to the resale or attempted resale and the Buyer's default are

\* Alter as necessary

recoverable by the Seller from the Buyer as liquidated damages provided the Seller has entered into a contract for the resale of the Property within 12 months of termination.

- 19.2 In addition to any money kept or recovered under clause 19.1, the Seller may retain on termination any other money paid by the Buyer as security for any damages awarded to the Seller arising from the Buyer's default provided that proceedings for the recovery of damages are commenced within 12 months of termination.

## 20. Termination – Seller default

- 20.1 If the Seller does not comply with a Notice to Complete or a Default Notice or is otherwise in breach of an essential term the Buyer may by notice served on the Seller either:

- 20.1.1 terminate and seek damages; or
- 20.1.2 enforce without further notice any other rights and remedies available to the Buyer.

- 20.2 If the Buyer terminates, the Stakeholder is authorised to refund to the Buyer immediately any money paid on account of the Price.

## 21. Rescission

- 21.1 Unless section 15 of the Sale of Residential Property Act applies, if this Contract is rescinded, it is rescinded from the beginning, and unless the parties otherwise agree:

- 21.1.1 the Deposit and all other money paid by the Buyer must be refunded to the Buyer immediately without any further authority being necessary; and
- 21.1.2 neither party is liable to pay the other any amount for damages, costs or expenses.

## 22. Damages for delay in Completion

- 22.1 If Completion does not occur by the Date for Completion, due to the default of either party, the party who is at fault must pay the other party as liquidated damages on Completion:

- 22.1.1 if the defaulting party is the Seller, interest on the Price at the rate this Contract says on page 2, calculated on a daily basis from the date 7 days after the Date for Completion to Completion;
- 22.1.2 if the defaulting party is the Buyer, interest on the Price at the rate this Contract says on page 2, calculated on a daily basis from the date 7 days after the Date for Completion to Completion; and
- 22.1.3 the amount this Contract says on page 2 to be applied towards any legal costs and disbursements incurred by the party not

at fault if Completion occurs later than 7 days after the Date for Completion.

- 22.2 Whether or not percentages are inserted in clauses 22.1.1 or 22.1.2 the party at fault must pay the amount specified in clause 22.1.3 in addition to any other damages to which the party not at fault is entitled both at law and under this Contract.

- 22.3 The parties agree that:

- 22.3.1 the amount of any damages payable under clause 22.1.1 or clause 22.1.2 to the party not in default is a genuine and honest pre-estimate of loss to that party for the delay in Completion, and
- 22.3.2 the damages must be paid on Completion.

## 23. Foreign Buyer

- 23.1 The Buyer warrants the Commonwealth Treasurer cannot prohibit and has not prohibited the transfer of the Lease under the *Foreign Acquisitions and Takeovers Act 1975* (Cth).

- 23.2 This clause is an essential term.

## 24. GST

- 24.1 If a party must pay the Price or provide any other consideration to another party under this Contract, GST is not to be added to the Price or amount, unless this Contract provides otherwise.

- 24.2 If the Price is stated in the Schedule to exclude GST and the sale of the Property is a taxable supply, the Buyer must pay to the Seller on Completion an amount equal to the GST payable by the Seller in relation to the supply.

- 24.3 If under this Contract a party (Relevant Party) must make an adjustment, pay an amount to another party (excluding the Price but including the Deposit if it is released or forfeited to the Seller) or pay an amount payable by or to a third party:

- 24.3.1 the Relevant Party must adjust or pay at that time any GST added to or included in the amount; but
- 24.3.2 if this Contract says this sale is a taxable supply, and payment would entitle the Relevant Party to claim an input tax credit, the adjustment or payment is to be worked out by deducting any input tax credit to which the party receiving the adjustment or payment is or was entitled multiplied by the GST Rate.

- 24.4 If this Contract says this sale is the supply of a going concern:

- 24.4.1 the parties agree the supply of the Property is the supply of a going concern;
- 24.4.2 the Seller must on Completion supply to the Buyer all of the things that are necessary for the continued operation of the enterprise;
- 24.4.3 the Seller must carry on the enterprise until Completion;
- 24.4.4 the Buyer warrants to the Seller that on Completion the Buyer will be registered or required to be registered; and
- 24.4.5 if for any reason (and despite clauses 24.1 and 24.4.1) the sale of the Property is not the supply of a going concern but is a taxable supply:
  - (a) the Buyer must pay to the Seller on demand the amount of any GST payable by the Seller in respect of the sale of the Property; and
  - (b) the Buyer indemnifies the Seller against any loss or expense incurred by the Seller in respect of that GST and any breach of clause 24.4.5(a).
- 24.5 If this Contract says the margin scheme applies:
  - 24.5.1 the Seller warrants that it can use the margin scheme; and
  - 24.5.2 the Buyer and Seller agree that the margin scheme is to apply, in respect of the sale of the Property.
- 24.6 If this Contract says the sale is a taxable supply, does not say the margin scheme applies to the sale of the Property, and the sale is in fact not a taxable supply, then the Seller must pay the Buyer on Completion an amount of one-eleventh of the Price.
- 24.7 Unless the margin scheme applies the Seller must, on Completion, give the Buyer a tax invoice for any taxable supply by the Seller by or under this Contract.

## 25. Power of attorney

- 25.1 Any party who signs this Contract or any document in connection with it under a power of attorney must, on request and without cost, provide the other party with a true copy of the registered power of attorney.

## 26. Notices claims and authorities

- 26.1 Notices, claims and authorities required or authorised by this Contract must be in writing.
- 26.2 To serve a notice a party must:
  - 26.2.1 leave it at; or

- 26.2.2 send it by a method of post requiring acknowledgment of receipt by the addressee to, the address of the person to be served as stated in the Schedule or as notified by that person to the other as that person's address for service under this Contract; or
- 26.2.3 serve it on that party's solicitor in any of the above ways; or
- 26.2.4 deliver it to an appropriate place in the facilities of a document exchange system in which the recipient solicitor has receiving facilities (and in the latter case service is deemed effected on the Business Day following delivery); or
- 26.2.5 transmit it by email to a party's solicitor to the email address for that solicitor as stated in the Schedule or as notified by that solicitor to the other solicitor as the email address for service under this Contract.
- 26.3 A party's solicitor may give a notice, claim or authority on behalf of that party.

## 27. Unit title

- 27.1 The following clauses 28 to 39 inclusive apply if the Property is a Unit.

## 28. Definitions and interpretation

- 28.1 A reference in these clauses 28 to 39 inclusive to a section or Part is a reference to a section or Part of the Unit Titles Management Act.
- 28.2 For the purposes of a claim for compensation pursuant to clause 39, the provisions of clause 17 will apply provided that clause 17.1.1(c) is amended to read "the Buyer does not give notice to the Seller waiving the claim, or so much of it as exceeds 5% of the Price within 14 days after receiving the notice".

## 29. Title to the Unit

- 29.1 Clauses 3.1, 3.2 and 3.3 do not apply.
- 29.2 The Unit Title is or will before Completion be granted under the Planning Act and is or will before Completion be registered under the *Land Titles (Unit Titles) Act 1970* (ACT).
- 29.3 The Unit Title is transferred subject to the Units Plan under which the lease to the Unit is held.

## 30. Buyer rights limited

- 30.1 In addition to clause 6, the Buyer cannot make any requisition on title or make a claim for compensation in respect of any Breach of Covenant of the Unit Title, any breach of the

lease of the Common Property or breach of rules of the Owners Corporation disclosed in this Contract.

### 31. Adjustment of contribution

31.1 Any adjustment under clause 8 must include an adjustment of the contributions to the Owners Corporation under section 78 and section 89 of the Unit Titles Management Act.

### 32. Inspection of Unit

32.1 For the purposes of clause 10.1 Property includes the Common Property.

### 33. Seller warranties

33.1 The Seller warrants that at the Date of this Contract:

33.1.1 to the Seller's knowledge, there are no unfunded latent or patent defects in the Common Property or Owners Corporation assets, other than the following:

- (a) defects arising through fair wear and tear; and
- (b) defects disclosed in this Contract;

33.1.2 the Owners Corporation records do not disclose any defects to which the warranty in clause 33.1.1 applies;

33.1.3 to the Seller's knowledge, there are no actual, contingent or expected unfunded liabilities of the Owners Corporation that are not part of the Owners Corporation's normal operating expenses, other than liabilities disclosed in this Contract;

33.1.4 the Owners Corporation records do not disclose any liabilities of the Owners Corporation to which the warranty in clause 33.1.3 applies;

33.1.5 the Seller or any occupier of the Unit has not committed any act or omission which may cause the Owners Corporation to incur any costs or perform any repairs;

33.1.6 there is no amount payable to the Owners Corporation by the Seller other than a contribution due under section 78 and section 89 of the Unit Titles Management Act; and

33.1.7 except for an unregistered Units Plan, the rules of the Owners Corporation are, as appropriate:

- (a) as set out in Schedule 4 to the Unit Titles Management Act; or

(b) in respect of a corporation established under the *Unit Titles Act 1970 (repealed)* and that was in existence immediately prior to 30 March 2012, the articles in force immediately prior to 30 March 2012; or

(c) in respect of a corporation established under the Unit Titles Act and that was in existence immediately prior to 30 March 2012, the articles in force immediately prior to 30 March 2012;

except for any alterations to those rules registered under section 108.

33.2 For clauses 33.1.1 to 33.1.4 inclusive, a Seller is taken to have knowledge of a thing if the Seller has actual knowledge, or ought reasonably to have knowledge, of that thing.

33.3 The Seller warrants that at Completion to the Seller's knowledge, there are no circumstances (other than circumstances disclosed in this Contract) in relation to the affairs of the Owners Corporation likely to significantly prejudice the Buyer.

33.4 For the purposes of clause 7, Property includes the Common Property.

33.5 These warranties are in addition to those given in clause 7.

### 34. Damage or destruction before Completion

34.1 If the Unit is destroyed or substantially damaged before Completion not due to the fault of either party then either party may by notice to the other rescind and clause 21 applies.

34.2 For the purposes of clause 34.1, the Unit is deemed to be substantially damaged if though not destroyed is unfit for the use to which it was being put at the Date of this Contract or, if not being used at that time, for the purpose permitted by the Unit Title.

### 35. Notice to Owners Corporation

35.1 The parties must comply with the rules of the Owners Corporation in relation to notification of the sale and purchase of the Unit.

### 36. Unit Title Certificate

36.1 On Completion the Buyer must pay to the Seller the fee as determined by the Minister pursuant to section 119(7) of the Units Title Management Act for the Unit Title Certificate attached.

## 37. Unregistered Units Plan

**Warning:** The following clauses 37, 38 and 39 do not encompass all obligations, rights and remedies under Part 2.9 of the Property Act for off the plan contracts.

- 37.1 This clause 37 applies if at the Date of this Contract, the Units Plan has not been registered.
- 37.2 The Seller must attach a copy of the proposed Units Plan or a sketch plan showing the location and dimensions of the Unit sufficient to enable the Buyer to determine the location and dimensions of the Unit in relation to other units and the Common Property in the proposed development.
- 37.3 If the Units Plan is not registered by the date specified in the Schedule, or elsewhere in this Contract, the Buyer may at any time after that date by notice served on the Seller require that the Units Plan be registered within 14 days of the service of the notice. If the Units Plan is not registered within the time limited by the notice the Buyer may at any time after expiry of the time in the notice rescind and clause 21 will apply.
- 37.4 If the Seller notifies the Buyer that the Units Plan is registered before rescission under this clause, the Buyer will not be entitled to rescind under this clause.
- 37.5 The Buyer cannot make any objection or requisition on title or claim for compensation in respect of:
- 37.5.1 any minor variations to the Unit between the plan attached, and the Units Plan registered by the Registrar General; or
- 37.5.2 any minor alterations required by an authority or the Registrar General in the number, size, location or Unit Entitlement of any other unit in the Units Plan or in or to the Common Property provided the proportion of the Unit Entitlement of the Unit to the other units in the Units Plan is not varied.
- In this clause, a minor variation is any variation less than 5% to either the size or value of the Unit described in the plan attached.
- 37.6 After the Owners Corporation has been constituted under section 8, the Seller must cause the Owners Corporation to comply with the rules of the Owners Corporation and with Parts 2, 3, 4, 5 and 7 to the extent to which the Owners Corporation is required by law to comply with those provisions up to the Date for Completion.
- 37.7 The Seller must not permit the Owners Corporation to vary the rules of the Owners

Corporation from those set out in Schedule 4 of the Unit Title Management Act.

- 37.8 If clause 37.1 applies, the Seller must give to the Buyer a Unit Title Certificate at the Buyer's expense at least 7 days before Completion.
- 37.9 The parties acknowledge that the following must form part of the Contract:
- 37.9.1 a Disclosure Statement for the Unit that complies with the requirements of section 260 of the Property Act; and
- 37.9.2 if a right to approve the keeping of animals during the Developer Control Period is reserved — details of the reservation, including the kind and number of animals.
- 37.10 The Seller warrants that the information disclosed in the Disclosure Statement, including information in any Disclosure Update Notice, is accurate.

## 38. Rescission of Contract

- 38.1 The Buyer may, by written notice given to the Seller, rescind this Contract if:
- 38.1.1 there would be a breach of a warranty provided in any of clauses 33.1.1, 33.1.2, 33.1.3, 33.1.4 or 33.3, were this Contract completed at the time it is rescinded; or
- 38.1.2 there would be a breach of a warranty provided in clause 37.10:
- (a) were this Contract completed at the time it is rescinded; and
- (b) the Buyer is significantly prejudiced by the breach,
- and the breach does not relate to an amendment to the Development Statement that is an Excluded Change.
- 38.2 A notice must be given:
- 38.2.1 under clause 38.1.1:
- (a) if this Contract is entered before the Units Plan for the Unit is registered — not later than 3 days before the Buyer is required to complete this Contract; or
- (b) in any other case — not later than 14 days after the later of the following happens:
- (i) the Date of this Contract; and
- (ii) another period agreed between the Buyer and Seller ends; or

38.2.2 under clause 38.1.2 – at any time before the Buyer is required to complete this Contract.

38.3 If the Buyer rescinds this Contract, the Seller must repay any amount paid to the Seller towards the purchase of the Unit and otherwise the provisions of clause 21 will apply.

## 39. Claims for compensation

39.1 This clause 39 applies if, before Completion, the Buyer reasonably believes that, except as disclosed in this Contract, there would be a breach of a warranty established under any of clauses 33.1.1, 33.1.2, 33.1.3, 33.1.4, 33.3 or 37.10 were this Contract to be completed.

39.2 The Buyer may, by written notice given to the Seller:

39.2.1 tell the Seller:

- (a) about the breach; and
- (b) that the Buyer will complete this Contract; and

39.2.2 claim compensation for the breach.

39.3 A notice under clause 39.2 must be given:

- 39.3.1 if this Contract is entered before the Units Plan for the Unit is registered – not later than 3 days before the Buyer is required to complete this Contract; or
- 39.3.2 in any other case – not later than 14 days after the later of the following happens:
  - (a) the Buyer's copy of the Contract is received by the Buyer;
  - (b) another period agreed between the Buyer and Seller ends.

39.4 The Buyer may not claim compensation under this clause 39 only because of the breach of a warranty related to an amendment to the Development Statement that is an Excluded Change.

## 40. Community title

40.1 The following clauses 41 to 50 inclusive apply if the Property is, or will on Completion form, a Lot within a Community Title Scheme.

## 41. Definitions and interpretation

41.1 A reference in these clauses 40 to 50 inclusive to a section or Part is a reference to a section or Part of the Community Title Act.

## 42. Buyer rights limited

42.1 In addition to clause 6, the Buyer cannot make any requisition on title or make a claim for

compensation in respect of any breach of the lease of the Common Property or breach of rules or by-laws of the Community Title Body Corporate disclosed in this Contract.

## 43. Adjustment of contribution

43.1 Any adjustment under clause 8 must include an adjustment of the contributions to the fund under section 45.

## 44. Inspection of property

44.1 For the purposes of clause 10.1 Property includes the Common Property.

## 45. Unregistered Community Title Scheme

45.1 This clause 45 applies if at the Date of this Contract, the Community Title Scheme has not registered.

45.2 The Seller must attach a copy of the proposed Community Title Master Plan, or a sketch plan showing the location and dimensions of the Lot sufficient to enable the Buyer to determine the location and dimensions of the Lot in relation to other lots and the Common Property in the proposed scheme.

45.3 The Seller must attach a copy of the proposed Community Title Management Statement.

45.4 The Buyer cannot make any objection or requisition on title or claim for compensation in respect of:

45.4.1 any minor variations to the Lot between the plan attached, and the registered Community Title Master Plan; or

45.4.2 any minor alterations required by an authority or the Registrar General in the number, size, location or entitlement of any other Lot in the Community Title Scheme or in or to the Common Property provided the proportion of the entitlement of the Lot to the other lots in the Community Title Scheme is not varied; or

45.4.3 any minor variations between the proposed Community Title Management Statement and the registered Community Title Management Statement.

In this clause, a minor variation is any variation less than 5% to either the size or value of the Lot described in the plan attached and referred to in the proposed Community Title Management Statement.

45.5 The Seller must not permit the Community Title Body Corporate to vary the by-laws of the

Community Title Scheme from those set out in Schedule 1 of the Community Title Act, unless otherwise disclosed in this Contract.

- 45.6 After the Community Title Body Corporate has been constituted under section 30, the Seller must cause the Community Title Body Corporate to comply with Part 8 to the extent to which the Community Title Body Corporate is required by law to comply with those provisions up to the Date for Completion.

## 46. Incomplete development of Community Title Scheme

- 46.1 This clause 46 applies if at the Date of this Contract, development of the Community Title Scheme has not completed.
- 46.2 Until the development of a Community Title Scheme is finished, the Developer warrants to the Buyer that the development will be carried out in accordance with the scheme.
- 46.3 Without limiting the damages recoverable for breach of the warranty in clause 46.2, the Buyer may recover damages for the loss of a reasonably expected capital appreciation of the Lot that would have resulted from completion of the development in accordance with the terms of the Community Title Scheme.

## 47. Incomplete development of Lot

- 47.1 This clause 47 applies if at the Date of this Contract, the Lot is to be developed or further developed in accordance with the Community Title Scheme. For clarity, this clause does not apply if an unconditional Compliance Certificate has issued before the Date of this Contract and the Seller gives to the Buyer evidence acceptable to the Registrar General that an unconditional Compliance Certificate has issued for the Lot, or if the Seller gives an unconditional Compliance Certificate to the Buyer on Completion.
- 47.2 The Buyer becomes bound to develop the Lot in accordance with the Community Title Scheme.
- 47.3 The Seller must give written notice of the proposed sale of the Lot to the Planning and Land Authority.
- 47.4 The Buyer must:
- 47.4.1 give to the Planning and Land Authority a written undertaking to develop the Lot in accordance with the Community Title Scheme (if a form is approved for an undertaking, the form must be used); and
- 47.4.2 give the Planning and Land Authority any security required by the Planning and Land Authority, within 28 days after notice of the transaction was given to the

Planning and Land Authority, for the development of the Lot in accordance with the Community Title Scheme.

## 48. Required first or top sheet

- 48.1 The Seller must give to the Buyer, before the Buyer enters into this Contract, a Section 67 Statement.
- 48.2 The Section 67 Statement must:
- 48.2.1 state that the Lot is included in a Community Title Scheme that imposes obligations on the owner of the Lot;
- 48.2.2 state the name and address of:
- (a) the body corporate of the scheme; or
- (b) if it is the duty of the Community Title Body Corporate manager to act for the Community Title Body Corporate in supplying Section 56 Certificates – the manager;
- 48.2.3 state the amount of annual contributions currently fixed by the Community Title Body Corporate as payable by the owner of the Lot;
- 48.2.4 identify improvements on common property of the scheme for which the owner of the Lot is responsible;
- 48.2.5 be signed by the Seller or a person authorised by the Seller; and
- 48.2.6 be substantially complete.
- 48.3 The Seller must attach to this Contract, as a first or top sheet, a copy of the Section 67 Statement given to the Buyer under clause 48.1.
- 48.4 The Buyer may rescind this Contract if:
- 48.4.1 the Seller has not complied with clauses 48.1 and 48.3; and
- 48.4.2 Completion has not taken place.

## 49. Notice to Community Title Body Corporate

- 49.1 The parties must comply with the rules and by-laws of the Community Title Body Corporate in relation to notification of the sale and purchase of the Lot.

## 50. Section 56 Certificate

- 50.1 The Seller must give to the Buyer a Section 56 Certificate at least 7 days before Completion.
- 50.2 On Completion, the Buyer must pay to the Seller the fee charged for the Section 56 Certificate.

## 51. Foreign Resident Withholding Tax

**Warning:** The questions in the Schedule regarding the Relevant Price and the Clearance Certificates are not binding, and are included to remind the parties of their obligations under the Withholding Law.

**Warning:** The following clauses 51.1 to 51.8 are subject to the Withholding Law, and do not encompass all obligations under the Withholding Law.

51.1 In this clause 51 the following words have the following meanings:

**CGT Asset** has the meaning in the *Income Tax Assessment Act 1997*;

**Clearance Certificate** means a certificate issued under section 14-220 of the Withholding Law that covers the date of Completion;

**Relevant Percentage** means the percentage amount stated in section 14-200(3)(a) and 14-205(4)(a) of the Withholding Law;

**Relevant Price** means the higher of:

- the Price (including GST); and
- the market value of the CGT Assets sold under this Contract;

as at the Date of this Contract;

**Variation Certificate** means a certificate issued under section 14-235 of the Withholding Law that covers the date of Completion;

**Withholding Amount** means, subject to clauses 51.6 and 51.7, the Relevant Percentage of the first element of the CGT Asset's cost base (for all CGT Assets sold under this Contract) as at the Date of this Contract; and

**Withholding Law** means Subdivision 14-D of Schedule 1 of the *Taxation Administration Act 1953* and associated provisions.

51.2 If the Relevant Price is less than the dollar amount stated in section 14-215(1)(a) of the Withholding Law as at the Date of this Contract, the parties acknowledge that there are no obligations under the Withholding Law.

51.3 If Clearance Certificates for all the Sellers are provided to the Buyer prior to Completion, the parties acknowledge that there are no obligations under the Withholding Law.

51.4 If neither clauses 51.2 or 51.3 apply, then:

51.4.1 the Seller must provide to the Buyer any information required to enable the Buyer to comply with clause 51.4.2(a), within 5 days of written request from the Buyer;

51.4.2 the Buyer must:

(a) lodge a purchaser payment notification form with the ATO; and

(b) give evidence of compliance with clause 51.4.2(a) to the Seller;

no later than 5 days before the Date for Completion;

51.4.3 the Seller irrevocably instructs the Buyer to draw as part of the Price, and the Buyer must draw and retain on Completion, an unendorsed bank cheque payable to the ATO for the Withholding Amount; and

51.4.4 the parties must both, on the date of Completion, attend the offices of an authorised collection agent of the ATO to deposit the bank cheque referred to in clause 51.4.3 in payment of the Withholding Amount following Completion.

51.5 If clause 51.4 applies and the parties do not comply with clause 51.4.4:

51.5.1 the Buyer indemnifies the Seller for any loss or damage resulting from the Buyer's delay in remitting and/or failure to remit the Withholding Amount to the ATO; and

51.5.2 the Buyer charges the Property (for the benefit of the Seller) with the Buyer's obligations under this clause 51.5.

51.6 Where the Seller gives the Buyer a Variation Certificate prior to Completion, the Withholding Amount is the amount stated in the Variation Certificate.

51.7 Where Clearance Certificates for some but not all of the Sellers are provided to the Buyer prior to Completion, then the Withholding Amount is reduced by the same percentage as the percentage ownership of the Property of the Sellers that are subject to a Clearance Certificate.

51.8 Where a Clearance Certificate is provided by a Seller to the Buyer, the Seller warrants to the Buyer that that Seller is the entity referred to in the Clearance Certificate and is the relevant taxpayer for capital gains tax payable on the sale of the CGT Assets sold under this Contract.

## 52. Deposit by Instalments

52.1 The following clauses 52.2 to 52.8 inclusive only apply if the 'Deposit by Instalments' option on the Schedule is selected.

52.2 Clauses 2.1, 2.2, 2.3 and 2.4 are deleted.

52.3 The Buyer must pay the Deposit to the Stakeholder. The Seller agrees to accept the payment of the Deposit in two instalments as follows:

52.3.1 5% of the Price by cheque on the Date of this Contract (**First Instalment**); and

52.3.2 the balance of the Deposit (if it has not already been paid) by unendorsed bank cheque on the Date for Completion (**Second Instalment**);

and in every respect time is of the essence for payment of the First Instalment in this clause 52.3.1.

52.4 The Deposit becomes the Seller's property on Completion or on the earlier termination of this Contract by the Seller for the Buyer's default.

52.5 If the First Instalment of the Deposit is:

52.5.1 not paid on time and in accordance with clause 52.3; or

52.5.2 paid by cheque and the cheque is not honoured on first presentation,

the Buyer is in default and the Seller may terminate this Contract immediately by written notice to the Buyer (without the notice otherwise necessary under clause 18) and clause 19 applies. If the Seller does not terminate this Contract in accordance with this clause 52.5, then this Contract remains on foot, subject to this clause 52.5, until either the Seller terminates the Contract pursuant to this clause 52.5, or waives the benefit of this clause 52.5 pursuant to clause 52.8.

52.6 If the Second Instalment of the Deposit is not paid on time in accordance with clause 52.3, then the Seller cannot immediately terminate the Contract for the Buyer's breach of an essential condition. The Seller must make timing of the payment of the Second Instalment an essential condition of the Contract by serving on the Buyer a Default Notice requiring the Buyer to pay the Second Instalment within 14\* days after service of the Default Notice (excluding the date of service).

52.7 For clarity, the Buyer must pay the full Price to the Seller, on or before Completion.

52.8 These clauses 52.2 to 52.8 inclusive are for the benefit of the Seller. The Seller may at any time before this Contract is terminated notify the Buyer in writing that the benefit of these clauses 52.2 to 52.8 inclusive is waived.

## 53. Residential Withholding Tax

**Warning:** The following clauses 53.1 to 53.9 are subject to the Withholding Law, and do not encompass all obligations under the Withholding Law.

53.1 In this clause 53 the following words have the following meanings:

**RW Amount** means the amount which the Buyer must pay under section 14-250 of the Withholding Law;

**RW Amount Information** means the completed RW Amount details referred to on page 3 of this Contract; and

**RW Percentage** means the percentage amount stated in section 14-250(6), (8) and (9) of the Withholding Law, as applicable to the supply of the Property from the Seller to the Buyer.

53.2 The Seller must provide the Buyer with the RW Amount Information no later than 7 days after the Date of this Contract.

53.3 If the 'Buyer required to make a withholding payment?' option on the Schedule is selected 'no' or if no selection is made, the Seller warrants to the Buyer that the Buyer is not required to make a payment under section 14-250 in relation to the supply of the Property from the Seller to the Buyer.

53.4 The following clauses 53.5 to 53.9 inclusive only apply if the 'Buyer required to make a withholding payment?' option on the Schedule is selected 'yes'.

53.5 Subject to any adjustments to the Price that may arise after the date that the RW Amount Information is provided in accordance with clause 53.2 and which affect the RW Amount, the Seller warrants to the Buyer on the date that the RW Amount Information is provided to the Buyer that the Seller has provided the Buyer with the information required under section 14 255 of the Withholding Law in relation to the supply of the Property from the Seller to the Buyer, and that this information is true and correct to the Seller's knowledge.

53.6 The Buyer must provide the Seller with a copy of the 'GST property settlement withholding notification online form' confirmation email (or emails, if applicable) issued to the Buyer by the ATO no later than:

53.6.1 21 days after a written request from the Seller; or

53.6.2 7 days prior to the Date for Completion, whichever is the earlier.

53.7 The Buyer must provide the Seller with evidence of submission by the Buyer to the ATO of the 'GST property settlement date confirmation online form', with such evidence to be provided prior to or on Completion.

\* Alter as necessary

- 53.8 The Seller irrevocably instructs the Buyer to draw as part of the Price, and the Buyer must draw and retain on Completion, an unendorsed bank cheque payable to the ATO for the RW Amount.
- 53.9 In relation to the unendorsed bank cheque required by clause 53.8, the Buyer must:
- 53.9.1 forward the unendorsed bank cheque to the ATO immediately after Completion; and
  - 53.9.2 provide the Seller with evidence of payment of the RW Amount to the ATO.

Block 2 Section 32 Chifley

---

**CONDITIONS OF AUCTION**  
**38 GLEDDEN STREET, CHIFLEY**

These are the terms upon which the auction for the sale of the property described in this contract for sale will be conducted.

1. The auctioneer may make 1 bid for the seller of the property at any time during the auction.
2. Each person bidding must be entered on the bidders record.
3. The auctioneer may refuse any bid.
4. The auctioneer may decide the amount by which the bidding is to be advanced.
5. The auctioneer may withdraw the property from sale at any time.
6. The auctioneer may refer a bid to the seller at any time before the end of the auction.
7. If there is a dispute about a bid, the auctioneer may resubmit the property for sale at the last undisputed bid or start the bidding again.
8. If there is a dispute about a bid, the auctioneer is the sole arbiter and the auctioneer's decision is final.
9. The sale is subject to a reserve price unless the auctioneer announces otherwise.
10. The highest recorded bidder will be the buyer, subject to any reserve price.
11. If a reserve price has been set for the property and the property is passed in below the reserve price, the seller must first negotiate with the highest bidder for the purchase of the property.
12. The buyer must sign the contract and pay the deposit immediately after the fall of the hammer.

**NOTICE TO ALL PROSPECTIVE BUYERS**

Please note that the seller reserves the right to vary this contract for sale, without notice, at any time prior to the auction.

---

## SPECIAL CONDITIONS

### 54. DEFINITIONS

54.1 In this Contract:

- (a) Unless the contrary intention appears, words defined in the Standard Terms which are not defined or varied in these special conditions have the meanings given to them in the Standard Terms.
- (b) **Bond** means either:
  - (i) a deposit bond issued in favour of the Seller, at the request of the Buyer, in a form satisfactory to the Seller; or
  - (ii) a bank guarantee issued in favour of the Seller, by a bank operating in Australia and in a form satisfactory to the Seller.
- (c) **Standard Terms** means the terms of the ACT Contract for Sale CS10-2024 prepared by the Law Society of the Australian Capital Territory annexed to this Contract.

### 55. AMENDMENTS TO STANDARD TERMS

55.1 The Standard Terms are amended as follows:

- (a) clause 2.3 is deleted and replaced with the following:
  - 2.3 *The Deposit may be paid by cheque or by the transfer of monies electronically from the Buyer's bank account (**EFT**), and if by EFT, the Buyer must provide evidence of payment having been made to the satisfaction of the Seller's Agent. If the Deposit:*
    - 2.3.1 *is not paid on time;*
    - 2.3.2 *is paid by cheque which is not honoured on first presentation; or*
    - 2.3.3 *is paid by EFT and has not been received as cleared funds in the account of the Stakeholder within two (2) Business Days of the Date of This Contract,*

*the Buyer is in default.*
- (b) clauses 7.1.4, 7.2.6, 8.4, 12, 33.1.5 to 33.1.7 (inclusive) and 33.4 are deleted;
- (c) clause 6.4.5 is deleted and replaced with the words "any Breach of Covenant";
- (d) clause 9.3.2(a) is amended by inserting the words "If held by the Seller," at the beginning of the sentence;
- (e) clauses 13.6 and 13.9 are amended by replacing the number "7" with the number "14";
- (f) clause 13.10.1 is amended by replacing the number "2" with the number "1";
- (g) clause 13.10.2 is amended by replacing the words "at least 1 Business Day before the Date for Completion" with the words "before the Completion Time";
- (h) clauses 17.1.1(a), 17.1.2(a) and 28.2 are amended by replacing "5%" with "2.5%";
- (i) clause 18.2 is amended by inserting the words ", or if this Conveyancing Transaction is to be conducted as an Electronic transaction, then the Nominated ELN" after the words "a place in Canberra at which";

- 
- (j) clause 22.1.3 is amended by inserting the words “if the defaulting party is the Buyer,” at the beginning of the sentence and replacing the words “party not at fault” with the word “Seller”;
  - (k) clause 51.2 is deleted;
  - (l) clause 52.3.1 is deleted and replaced with the following:

*5% of the Price by cheque or by the transfer of monies electronically from the Buyer’s bank account (**EFT**), and if by EFT, the Buyer must provide evidence of payment having been made to the satisfaction of the Seller’s Agent (**First Instalment**); and*
  - (m) clause 52.5.2 is amended by replacing “,” after the word presentation with “; or”; and
  - (n) clause 52 is amended by inserting the following:

*52.5.3 paid by EFT and has not been received as cleared funds in the account of the Stakeholder within two (2) Business Days of the Date of This Contract.*

## **56. ELECTRONIC EXCHANGE**

56.1 The Buyer acknowledges and agrees:

- (a) that this Contract will be exchanged by email or other electronic means;
- (b) that the Buyer has received and reviewed the entirety of this Contract;
- (c) to be bound by the terms and conditions of this Contract; and
- (d) that the Buyer will not receive an original counterpart of this Contract as signed by the Seller.

56.2 If due to this Contract being exchanged by electronic means:

- (a) this Contract or any of its terms or conditions are invalid, unenforceable or not binding;
- (b) the Buyer alleges or claims that this Contract or any of its terms or conditions are invalid, unenforceable or not binding; or
- (c) any financier will not accept this Contract for financing purposes,

the parties agree to:

- (d) wet ink sign and exchange printed copies of this Contract, in the same form and dated the same date as this Contract; and
- (e) take such steps as are necessary to satisfy the Seller or the financier (as applicable) that this Contract and its terms and conditions are valid, enforceable and binding.

56.3 If either party (the **Defaulting Party**) fails to sign any document or to satisfy any of the above terms and conditions within five (5) business days of receiving a request from the other party, the Defaulting Party appoints the other party as its attorney to execute a printed contract (in the same form as this Contract) on the Defaulting Party’s behalf and to date that contract with the same date as the Date of this Contract.

56.4 The Buyer indemnifies and will keep the Seller indemnified against all costs, expenses, losses or damages incurred, paid or payable by the Seller arising from or connected with a breach of this special condition by the Buyer.

---

## 57. ELECTRONIC EXECUTION

- 57.1 In this special condition, **Electronic Signature** means a visual representation of a person's handwritten signature which is placed on this Contract using DocuSign or other electronic signing platform agreed by the parties (acting reasonably) and Electronically Signed has a corresponding meaning.
- 57.2 The parties consent to this Contract being signed by or on behalf of a party by an Electronic Signature.
- 57.3 Where an Electronic Signature has been used to sign this Contract, the parties warrant that their Electronic Signature was used to:
- (a) identify and authenticate the person signing;
  - (b) where the party is an individual, indicate that the person, intended to be bound by the terms of this Contract; and
  - (c) where the party is a company, the person or persons intended to bind the company to the terms of this Contract.
- 57.4 If due to this Contract being signed by Electronic Signature this Contract or any of its terms or conditions are invalid, unenforceable, or not binding the parties must, as soon as is reasonably practicable duly and properly execute in wet ink, and exchange printed copies of this Contract in the same form and dated the same date as this Contract and take such steps as are necessary to ensure the terms and conditions of this Contract are valid, enforceable, and binding.
- 57.5 If either party (the **Defaulting Party**) fails to sign any document or to satisfy any of the above terms and conditions within five (5) business days of receiving a request from the other party, the Defaulting Party appoints the other party as its attorney to execute a printed contract for sale (in the same form as this Contract) on the Defaulting Party's behalf and to date that contract with the same date as the Date of this Contract.
- 57.6 The Buyer indemnifies and will keep the Seller indemnified against all costs, expenses, losses, or damages incurred, paid or payable by the Seller arising from or connected with a breach of this special condition by the Buyer.
- ## 58. PAYMENT OF DEPOSIT BY BOND
- 58.1 The Buyer may pay the Deposit by delivering a Bond to the Seller's Solicitor on or before the Date of this Contract.
- 58.2 Subject to special conditions 58.3 and 58.4, the delivery of the Bond to the Seller's Solicitor will, to the extent of the amount guaranteed under the Bond, be deemed for the purposes of this Contract to be payment of the Deposit in accordance with this Contract.
- 58.3 The Buyer must pay the amount stipulated in the Bond to the Seller by unendorsed bank cheque on the earlier of:
- (a) Completion;
  - (b) termination of this Contract by the Seller due to the default of the Buyer; or
  - (c) any other time provided by the parties for the Deposit to be accounted for to the Seller.
- 58.4 If the Seller serves on the Buyer written notice claiming to forfeit the Deposit, then to the extent that the amount has not already been paid by the Bond, the Buyer must, within two (2) Business Days pay the Deposit (or so much of the Deposit as has not been paid) to the Stakeholder.
- 58.5 The Seller acknowledges that payment under the Bond will, to the extent of the amount paid, be in satisfaction of the Buyer's obligation to pay the Deposit under this Contract.

- 
- 58.6 If the Buyer has not;
- (a) completed this Contract;
  - (b) delivered to the Seller's Solicitor a substitute Bond for an extended period; or
  - (c) paid an amount equivalent to the amount secured under the Bond by unendorsed bank cheque to the Stakeholder,

by the date that is 30 days prior to the expiration of the Bond, the Buyer will be in default of an essential term of this Contract and clause 19 of the Standard Terms will apply.

58.7 The Buyer acknowledges that the Seller will have the right but not the obligation to renew the Bond on the Buyer's behalf and any payments made by the Seller to facilitate the renewal of the Bond much be paid by the Buyer (in addition to the Price) on Completion.

58.8 If the insurance firm or bank issuing the Bond is placed under external administration of any nature before Completion, the Buyer must, within 24 hours, secure the Deposit referred to in the Contract to the Seller by either:

- (a) providing a replacement Bond by another bond provider reasonably acceptable to the Seller; or
- (b) paying the Deposit in accordance with this Contract.

58.9 This special condition is for the benefit of the Seller.

58.10 The Buyer acknowledges that this special condition is an essential term of this Contract.

## **59. CONTRACT DOCUMENTS**

59.1 The Seller does not make any representation or provide any warranty regarding the accuracy of any document contained in this Contract.

59.2 The Buyer:

- (a) acknowledges it has had the opportunity to make its own enquiries and obtain its own advice regarding the matters and documents contained in this Contract; and
- (b) certifies it has received the Required Documents.

59.3 The Buyer agrees not to raise any objection or requisition, make any claim for compensation or damages, delay Completion or rescind or terminate this Contract arising out of anything disclosed in this Contract, or any document annexed to this Contract.

## **60. DEATH**

60.1 Without in any manner negating, limiting, or restricting any rights or remedies which would have been available to a party at law or in equity had this special condition not been included in this Contract, should the Buyer die prior to Completion, the Seller may rescind this Contract by written notice and the provisions of Standard Term 21 will apply.

## **61. INSOLVENCY OF THE BUYER**

61.1 If the Buyer before Completion:

- (a) in the case of an individual:
  - (i) commits an act of bankruptcy; or
- (b) in the case of a corporation:

- 
- (i) enters into a scheme;
  - (ii) makes any arrangement for the benefit of its creditors;
  - (iii) an order is made to wind up the Buyer;
  - (iv) a liquidator, administrator or official manager is appointed in respect of the Buyer;
  - (v) a mortgagee enters into possession of all or a substantial part of the assets of the Buyer;
  - (vi) is deemed by any relevant legislation to be unable to pay its debts; or
  - (vii) a receiver, receiver and manager or agent of a mortgagee is appointed to all or a substantial part of the assets of the Buyer,

then the Buyer is in default of an essential term of this Contract, the Seller may terminate this Contract and the provisions of Standard Term 19 will apply.

## **62. GST**

62.1 A party's obligation to reimburse another party for an amount paid or payable to a third party includes GST on the amount paid or payable to the third party except to the extent that the party being reimbursed is entitled to claim an input tax credit for that GST.

62.2 (a) If a payment under an indemnity gives rise to a liability to pay GST, the payer must pay, and indemnify the payee against, the amount of that GST.

(b) If a party has an indemnity for a cost on which that party must pay GST, the indemnity is for the cost plus all GST (except any GST for which that party can obtain an input tax credit).

(c) A party may recover payment under an indemnity before it makes the payment in respect of which the indemnity is given.

62.3 The parties acknowledge that if the Buyer is in default under this Contract which results in forfeiture of the Deposit that the Buyer will reimburse the Seller for the GST payable (if any) by the Seller on the amount of the Deposit, subject to the provision to the Buyer of a valid tax invoice.

62.4 This special condition will not merge on Completion.

## **63. NOTICE TO COMPLETE**

63.1 If the Seller serves a Notice to Complete on the Buyer pursuant to clause 18 of the Standard Terms, the Seller may in its absolute discretion, by written notice to the Buyer:

(a) extend the date appointed for Completion under the Notice to Complete; or

(b) withdraw the Notice to Complete.

## **64. REAL ESTATE AGENT**

64.1 The Buyer warrants that the Buyer was not introduced to the Seller or to the Property directly or indirectly by any real estate agent or any other person other than the Seller's Agent noted in the Schedule.

64.2 The Buyer agrees to indemnify and will keep the Seller indemnified on demand (and if more than one, each of them) against any claims, suits, demands, and actions by any agent or any other person arising out of or as a consequence of a breach of this warranty.

64.3 This special condition will not merge on Completion.

---

**65. LEGAL ADVICE**

65.1 The Buyer acknowledges that it had the opportunity to obtain independent legal advice prior to entering into this Contract.

**66. SEVERANCE**

66.1 Any provision of this Contract which is prohibited or unenforceable is ineffective to the extent of that prohibition or unenforceability but the validity or enforceability of the remaining provisions of this Contract are not affected.

**67. INCONSISTENCY**

67.1 If there is any inconsistency between a special condition or the Standard Terms, the provisions of the special condition will prevail.

**68. CONSTRUCTION**

68.1 No rule of construction will apply to this Contract to the disadvantage of the Seller due to the Seller being responsible for the preparation of, or seeks to rely on, this Contract or any part of it.

**69. KEYS**

The Seller will hand to the Buyer on Completion all keys to the Property that are in the Seller's possession or control. The Buyer will make no objection, requisition, or claim for compensation whatsoever in relation to the number or condition of the keys provided on Completion.

**70. LAND CHARGES**

70.1 At least three (3) Business Days prior to the Date for Completion, the Buyer must deliver to the Seller a certificate issued by the relevant authority or service provider evidencing the current Land Charges.

70.2 If the Buyer is in default under special condition 70.1, all necessary adjustments for Income and Land Charges will be based upon the reasonable opinion of the Seller of the likely amounts and the Buyer agrees not to raise any objection or requisition, make any claim for compensation or damages, delay Completion or rescind or terminate this Contract as a result of the amounts to be adjusted pursuant to this special condition and clause 8 of the Standard Terms.

70.3 If Completion does not occur on the Date for Completion due to the default of the Buyer, the Buyer will be liable for all Land Charges from the Date for Completion and all necessary adjustments for Land Charges will be made as at the Date for Completion.

**71. GUARANTEE**

71.1 If the Buyer is a corporation the Buyer must cause:

- (a) each director of that corporation; or
- (b) if the parent company of the Buyer is listed on a public stock exchange, that parent company,

to guarantee the obligations of the Buyer under this contract by duly completing and signing the Guarantee and Indemnity contained in Annexure A on the Date of this Contract (**Guarantee**).

71.2 If the Guarantee is not executed and delivered as required by this special condition:

- (a) the Buyer will be in breach of a fundamental and essential term of this Contract; and
- (b) the Seller will be entitled to enforce all remedies available under this Contract and at law for such breach.



---

**ANNEXURE "A" - GUARANTEE AND INDEMNITY**

TO:

.....(the **Buyer**)

has entered into a contract (the **Contract**) dated .....  
with the Seller to purchase the Property from the Seller.

Under the terms of the Contract,

.....  
.....  
.....  
.....  
.....  
.....  
.....  
.....  
.....  
.....

(full names(s) and addresses)

(the **Guarantor**) must execute and deliver this guarantee and indemnity to the Seller on the Date of this Contract.

The Guarantor wishes the Buyer to not be in breach of the Contract, and therefore covenants with the Seller as follows:

1. The Guarantor, as a principal obligor and not merely as surety, irrevocably and unconditionally guarantees to the Seller (and indemnifies the Seller in respect of) the due and punctual performance of all the obligations of the Buyer under or arising out of the Contract including (without limitation):
  - (a) the prompt payment of all amounts payable by the Buyer under the Contract;
  - (b) the prompt performance of all other obligations of the Buyer under the Contract; and
  - (c) the prompt payment of all amounts for which the Buyer may become liable in respect of any breach of the Contract.
  
2. The Guarantor agrees that the Guarantor's obligations under this guarantee and indemnity will be unconditional irrespective of:
  - (a) the validity, regularity and enforceability of any provision of the Contract;
  - (b) the absence of any action by the Seller or the Buyer to enforce the Contract;
  - (c) the waiver or consent of the Seller in respect of any provision of the Contract;
  - (d) the recovery of any judgment against the Buyer;
  - (e) any action to enforce judgment against the Buyer;



---

**SIGNED SEALED AND DELIVERED** by

)  
)

.....  
Signature

as Guarantor in the presence of:

.....  
Signature of Witness

.....  
Name of Witness in Full

**SIGNED SEALED AND DELIVERED** by

)  
)

.....  
Signature

as Guarantor in the presence of:

.....  
Signature of Witness

.....  
Name of Witness in Full

**AUSTRALIAN CAPITAL TERRITORY  
TITLE SEARCH**

**LAND**

Chifley Section 32 Block 2 on Deposited Plan 1551

Lease commenced on 01/09/1969, granted on 30/04/1970, terminating on 31/08/2068

Area is 784 square metres or thereabouts

**Proprietor**

MICHAEL ALESSANDRO DAMO

32 GLEDDEN, CHIFLEY ACT 2606

MEREDITH ANNE DAMO

32 GLEDDEN STREET, CHIFLEY ACT 2606

as Joint Tenants

**REGISTERED ENCUMBRANCES AND INTERESTS**

Original title is **Volume 296 Folio 47**

**Restrictions**

Purpose Clause: Refer Crown Lease

S.28A City Area Leases Act 1936: 5 Years From Grant Date

Registered Date	Dealing Number	Description
14/01/2022	3132865	Mortgage to National Australia Bank Limited (ACN: 004 044 937)

***End of interests***



**REFERENCE & PERMANENT MARKS**

- ⊙ Denotes G.I.P. in road 6 radially from T.P.
- ⚠ " C.B. " " 6 " " T.P.
- (Except as otherwise shown)

Azimuth: A-B (Strom)

I, Kevin Henry Wellspring, of Canberra, a surveyor specially licensed by the Commonwealth under the provisions of the Real Property Ordinance 1925-1961 do hereby solemnly and sincerely declare (a) that all boundaries and measurements shown on this plan are correct, (b) that all survey marks found and relevant physical objects on or adjacent to the boundaries are correctly represented, (c) that all physical objects indicated exist in the positions shown, (d) that the whole of the material facts in relation to the land are correctly represented, (e) that the survey has been made (1) by me, (2) under my supervision and completed on the second day of December, 1965 and the reference marks have been placed as shown hereon.

And I make this solemn declaration by virtue of the Statutory Declarations Act 1959 conscientiously believing the statements contained therein to be true in every particular.

Azimuth: A-B (Strom)

*K.H. Wellspring*, Licensed Surveyor.

Declared at Canberra the *thirteenth* day of *January* 1966 before me

I certify that this plan is the plan prepared in accordance with sub-section 1 of section 9 of the Districts Ordinance 1927-1959.

*M. J. Henry*  
Commissioner for Declarations under the Statutory Declarations Act 1959.

*W. Boyle*  
Commonwealth Surveyor-General.

**PLAN OF**

**BLOCKS 1-31 & 33 SECTION 32**

DIVISION: **CHIFLEY**

DISTRICT: **CANBERRA CITY**

**AUSTRALIAN CAPITAL TERRITORY.**

Scale: — 60 feet — to an inch.

Field Books: K 3237

63/365 & T.L. 65/1248

Deposited in the office of the Registrar of Titles at Canberra in the Australian Capital Territory the *twenty-seventh* day of *January* 1966 at *three* minutes past *four* o'clock in the *after* noon.

Approved

*Arthur James*  
Registrar of Titles.

**DEPOSITED PLAN.**

**1551**

1557

X153

THE COMMONWEALTH OF AUSTRALIA

Australian Capital Territory

The City Area Leases Ordinance 1936-1968

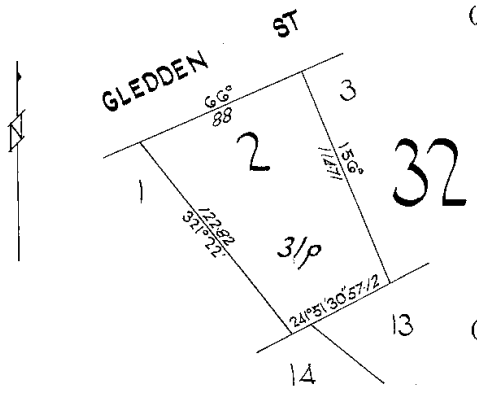
COMMONWEALTH OF AUSTRALIA DEPARTMENT OF LANDS

Lease GRANTED pursuant to the City Area Leases Ordinance 1936-1968 and the Regulations thereunder on the thirtieth day of April One thousand nine hundred and seventy WHEREBY the Commonwealth of Australia (hereinafter called the "Commonwealth") grants to CHARLES PERCY CHAPMAN of 38 Gledden Street Chifley in the Australian Capital Territory School Teacher and PATRICIA MARGARITA CHAPMAN his wife as joint tenants

ALL THAT piece or parcel of land situate in the City Area in the Australian Capital Territory containing an area of 3/- perches or thereabouts and being Block 2 Section 32 Division of Chifley as delineated on Deposited Plan Number 1551 in the office of the Registrar of Titles at Canberra in the said Territory and being the land shown by pink colour on the plan endorsed hereon RESERVING unto the Commonwealth all minerals TO HOLD unto the Lessee for the term of ninety-nine years commencing on the first day of September One thousand nine hundred and sixty nine to be used by the Lessee for residential purposes only YIELDING AND PAYING THEREFOR during the first twenty (20) years of the said term rent at the rate of seventy five dollars per annum and after the expiration of the said first twenty years during the remainder of the said term rent at the rate of Five dollars per centum per annum of the unimproved value of the said land as determined from time to time upon re-appraisalment of the said value under any Statute Ordinance or Regulation.

1. THE lessee covenants with the Commonwealth as follows:

- (a) That the lessee will in respect of the first year of the said term pay to the Minister on behalf of the Commonwealth or to such person as may be authorized by the Minister for that purpose at Canberra in the said Territory the rent hereby reserved in advance without any deduction whatsoever and that the lessee will during the remainder of the said term pay the rent hereby reserved at the rate aforesaid in the following manner namely in advance for the period commencing on the first day of September and ending on the thirtieth day of September One thousand nine hundred and seventy and thereafter by quarterly payments in advance on the FIRST day of October the FIRST day of January the FIRST day of April and the FIRST day of July in each year to the Minister or to such person as may from time to time be authorized by the Minister for that purpose at Canberra aforesaid without any deductions whatsoever the first of such quarterly payments to be made on the FIRST day of October One thousand nine hundred and seventy
(b) That the lessee will pay to the Minister on behalf of the Commonwealth or to such person as may be authorized as aforesaid at Canberra in the said Territory as additional rent a sum at the rate of Eight dollars per centum (8%) per annum of rent payable under this lease which may remain unpaid for one calendar month after the day appointed for payment thereof computed from the expiration of the said calendar month to the date upon which such payment is made such additional rent to be added to and paid with the said amount of rent;
(c) That the lessee will at all times during the said term maintain repair and keep in repair all buildings and erections on the said land all to the satisfaction of the Minister;
(d) That the lessee will not without the previous approval in writing of the Commonwealth or the Minister on behalf of the Commonwealth erect any building on the said land or make any structural alterations in any building erected on the said land;
(e) To use the said land for residential purposes only;
(f) If and whenever the lessee fails to repair or keep in repair any building or erection on the said land the Commonwealth or the Minister on behalf of the Commonwealth may by notice in writing to the lessee specifying the wants of repairs require the lessee to effect repairs in accordance with the said notice or to remove the building or erection and if after the expiration of one calendar month from the date of the said notice or such longer time as the Commonwealth or the Minister on behalf of the Commonwealth may in writing allow the lessee has not effected the said repairs or removed the building or erection the Minister or any person or persons duly authorized by the Commonwealth or the Minister in that behalf with or without carts or other vehicles horses or other animals may enter upon the said land and effect the said repairs or (if the Minister is of opinion the building or erection is beyond reasonable repair) may demolish and remove the building or erection and all expenses incurred by the Commonwealth or the Minister in effecting such repairs or in demolishing and removing the building or erection shall be paid by the lessee to the Commonwealth on demand and from the date of such demand until paid shall for all purposes of this lease be deemed to be rent payable under this lease and unpaid by the lessee;



Scale 60 Feet to an Inch

- (g) To permit any person or persons authorized by the Commonwealth or the Minister on behalf of the Commonwealth in that behalf to enter upon the said land at all reasonable times and in any reasonable manner and inspect the said land and any buildings erections and improvements thereon.

2. THE Commonwealth covenants with the lessee—

- (a) That the lessee may at any time upon payment of all rent and other moneys due to the Commonwealth under this lease surrender this lease to the Commonwealth but subject to any law of the Territory to the contrary the lessee shall not be entitled to receive any compensation from the Commonwealth in respect of such surrender or in respect of any buildings erections or improvements upon the said land;
(b) That the unimproved value of the said land shall be re-appraised for the purpose of determining the rent payable under this lease only in the twentieth year of the term of this lease and in every twentieth year thereafter.

3. IT IS MUTUALLY COVENANTED AND AGREED as follows:

- (a) That if—
  - (i) any rent payable under this lease shall remain unpaid for twelve calendar months next after the date appointed for payment thereof (whether such rent shall have been formally demanded or not); or
  - (ii) the said land is at any time not used for a period of one year for the purpose for which this lease is granted;
- (b) That acceptance of rent by the Commonwealth or the Minister or a person authorized by the Minister for that purpose during or after any period referred to in paragraph (ii) of sub-clause (a) of this clause shall not prevent or impede the exercise by the Commonwealth or the Minister on behalf of the Commonwealth of the powers conferred upon it by sub-clause (a) of this clause;
- (c) If at the expiration of this lease the Minister shall have decided not to subdivide the said land and that it is not required for any Commonwealth purpose and shall have declared the said land to be available for lease the lessee shall be entitled to a further lease of the said land for such further term and at such rent and subject to such conditions (including re-appraisal of rent) as may then be provided or permitted by Statute Ordinance or Regulation. If the Minister shall have decided to subdivide the said land the lessee shall be entitled to a lease under the Statutes Ordinances and Regulations then in force of any one block which forms part of the said land and which the Minister shall have declared to be available for lease;
- (d) That in this lease the expression "Minister" shall mean the Minister of State of the Commonwealth for the time being administering the City Area Leases Ordinance 1936-1968 including any amendments thereof or any Statute or Ordinance substituted therefor or the member of the Executive Council of the Commonwealth for the time being performing the duties of such Minister and shall include the authority or person for the time being authorized by the Minister or by law to exercise the powers and functions of the Minister under the City Area Leases Ordinance 1936-1968 including any amendments thereof or any Statute or Ordinance substituted therefor;
- (e) That any notice requirement demand consent or other communication to be given to or served upon the lessee by the Commonwealth or the Minister under this lease shall be deemed to have been duly given or served if signed by or on behalf of the Minister and delivered to or sent in a prepaid letter addressed to the lessee at the said land or at the usual or last-known address of the lessee or affixed in a conspicuous position on the said land;
- (f) That if the lessee shall consist of one person the word "Lessee" shall where the context so admits or requires be deemed to include the lessee and the executors administrators and assigns of the lessee;
- (g) That if the lessee shall consist of two or more persons the word "Lessee" shall where the context so admits or requires in the case of a tenancy in common be deemed to include the said persons and each of them and their and each of their executors administrators and assigns and in the case of a joint tenancy be deemed to include the said persons and each of them and the administrators executors and assigns of the survivor of them;
- (h) That if the lessee shall be a corporation the word "Lessee" shall where the context so admits or requires be deemed to include such corporation and its successors and assigns.
- (i) That Section 28A of the City Area Leases Ordinance 1936-1968 shall apply to this lease.

IN WITNESS whereof this Lease has been executed in the name of the Commonwealth of Australia by the Minister and by the lessee.

SIGNED SEALED AND DELIVERED  
 by ROY JAMES CORRIGAN  
 delegate of the Minister of State for  
 the Interior of the Commonwealth of  
 Australia in the presence of—  
*M. J. Humphrey*  
 Public Servant  
 Canberra

*R. J. Corrigan*

SIGNED SEALED AND DELIVERED  
 by the Lessee in the presence of—  
*R. B. Smith*

*P. P. Chapman*  
*Patricia M. Chapman*

COMMISSIONER FOR DECLARATIONS

No. 104336 MORTGAGE from the within named Charles  
 Percy Chapman and Patricia Margarita Chapman  
 to Commonwealth  
 produced 10th June 1970 and entered 6th July 1970  
 forty rubrics past two o'clock  
*[Signature]*  
 Registrar of Titles

No. 773544 DISCHARGE OF MORTGAGE No. 104336  
 Entered 28th February 1992. at TWO o'clock in  
 the AFTER noon  
*[Signature]*  
 C. SARVAAS Deputy  
 Registrar of Titles

No. 773545 NOTICE OF DEATH Proof having been  
 furnished to me of the death of  
 CHARLES PERCY CHAPMAN the surviving joint  
 tenant  
 PATRICIA MARGARITA CHAPMAN is now  
 Registered Sole Proprietor of the land within described  
 Entered 25th February 1992. at TWO o'clock in  
 the AFTER noon  
*[Signature]*  
 C. SARVAAS Deputy  
 Registrar of Titles

15704/69 CANCELLED AND COMPUTER  
 CERTIFICATE OF TITLE ISSUED



## LEASE CONVEYANCING ENQUIRY

Your response is sought to the following questions in relation to:

**LAND:** Please provide details of the land you are enquiring about.

<b>Unit</b>	<b>0</b>	<b>Block</b>	<b>2</b>	<b>Section</b>	<b>32</b>	<b>Suburb</b>	<b>CHIFLEY</b>
-------------	----------	--------------	----------	----------------	-----------	---------------	----------------

Leased by the Australian Capital Territory on behalf of the Commonwealth under the Land (Planning and Environment) Act 1991, Planning & Development Act 2007 and Planning Act 2023.

- |  | <b>No</b> | <b>Yes</b>   |
|--|-----------|--------------|
| 1. Have any notices been issued relating to the Crown Lease?   | ( X )     | ( )          |
| 2. Is the Lessor aware of any notice of a breach of the Crown Lease?   | ( X )     | ( )          |
| 3. Has a Certificate of Compliance been issued? (N/A ex-Government House) <input checked="" type="checkbox"/>  | ( )       | ( )          |
| Certificate Number: N/A  |           |              |
| Dated:   |           |              |
| 4. Has an application for Subdivision been received under the Unit Titles Act?   |           | (see report) |
| 5. Has the Property been nominated for provisional registration, provisionally registered or registered in accordance with provisions of the Heritage Act 2004?                                  |           | (see report) |
| 6. If an application has been determined, is the land subject to an Environmental Impact Statement under Chapter 8 of the Planning & Development Act 2007, or part 6.3 of the Planning Act 2023? |           | (see report) |
| 7. Has a development application been received, or approval (applications lodged prior to 2 April 1992 will not be included)?  |           | (see report) |
| 8. Has an application been received or approved for Dual Occupancy? (applications lodged prior to 2 April 1992 will not be included)   |           | (see report) |
| 9. Has an Order been made in respect of the Land pursuant to Part 11.3 of the Planning & Development Act 2007 or Part 12.3 of the Planning Act 2023?   |           | (see report) |
| 10 Contaminated Land Search - Is there information recorded by Environment ACT regarding the contamination status of the land?   |           | (see report) |

Applicant's Name : BROOK, KARINA  
 E-mail Address : karina.brook@ballawyers.com.au  
 Client Reference : 260829

Date: 16-APR-26 10:53:04



ACCESS CANBERRA  
LAND, PLANNING & BUILDING SERVICES  
8 Darling Street  
MITCHELL ACT 2911

16-APR-2026 10:53

**PLANNING AND LEASE MANAGER (PaLM)**  
**LEASE CONVEYANCING ENQUIRY REPORT**

Page 1 of 2

---

**INFORMATION ABOUT THE PROPERTY**

---

**CHIFLEY Section 32/Block 2**

**Area(m2):** 789.4  
**Unimproved Value:** \$739,000                      **Year:** 2025  
**Subdivision Status:** Application not received under the Unit Titles Act.

**Heritage Status:** Nil.

**Environment Assessment:** The Land is not subject to an Environmental Impact Statement under Chapter 8 of the Planning & Development ACT 2007, or part 6.3a of the Planning Act 2023.

---

**DEVELOPMENT APPLICATIONS ON THE PROPERTY (SINCE APRIL 1992)**

---

No Applications Found.

---

**DEVELOPMENT APPLICATIONS ON THE ADJACENT PROPERTIES (LAST 2 YEARS ONLY)**

---

The information on development applications on adjacent blocks is to assist purchasers to be aware of possible nearby development activity. Please note however, it doesn't cover all development activity. Exempt activities can include but are not limited to, new residences, additions to residences, certain sheds, carports and pergolas etc. Information on exempt developments can be found at <https://www.planning.act.gov.au/applications-and-assessments/development-applications/check-if-you-need-a-da>

**LAND USE POLICIES**

To check the current land use policy in the suburb that you are buying a property in, please check the Territory Plan online at <https://www.legislation.act.gov.au/ni/2023-540/>

**CONTAMINATED LAND SEARCH**

Information is not recorded by the Environment Protection Authority regarding the contamination status of this land. However, this does not absolutely rule out the possibility of contamination and should not be interpreted as a warranty that there is no contamination. To be completely sure, independent tests should be arranged.

**ASBESTOS SEARCH**

ACT Government records indicate that asbestos (loose fill or otherwise) is not present on this land. However, the accuracy of this information is not guaranteed. If the property was built prior to 1 January 2004, you should make your own enquiries and obtain reports (from a licensed Asbestos Assessor) in relation to the presence of loose-fill asbestos insulation (and other forms of asbestos e.g. bonded asbestos) on the premises.



ACCESS CANBERRA  
LAND, PLANNING & BUILDING SERVICES  
8 Darling Street  
MITCHELL ACT 2911

16-APR-2026 10:53

**PLANNING AND LEASE MANAGER (PaLM)**  
**LEASE CONVEYANCING ENQUIRY REPORT**

Page 2 of 2

**CAT CONTAINMENT AREAS**

Cat containment has been extended across the ACT for cats born on or after 1 July 2022. Containment means keeping your cat on your premise 24 hours a day. This can include your house or apartment, enclosed area in a backyard or courtyard, a cat crate or leash. Cats born before 1 July 2022 do not have to be contained unless they live in one of the 17 currently declared cat containment suburbs. All cats (regardless of age) located in the following suburbs must be contained to their premise 24 hours a day. However, cats can be walked on a leash and harness under effective control in all containment suburbs: BONNER, COOMBS, CRACE, DENMAN PROSPECT, FORDE, JACKA, LAWSON, MOLONGLO, MONCRIEFF, STRATHNAIRN, THE FAIR in north WATSON, THROSBY, WRIGHT, GUNGAHLIN TOWN CENTRE, MACNAMARA, TAYLOR and WHITLAM. More information on cat containment is available at <https://www.cityservices.act.gov.au/pets-and-wildlife/domestic-animals/cats/cat-containment> or by phoning Access Canberra on 13 22 81.

**URBAN FOREST ACT 2023**

The Urban Forest Act 2023 (or Tree Protection Act 2005 where applicable) protects individual trees of importance and urban forest areas that require particular protection. A Tree Register has been established and can be found on the Transport Canberra and City Services website [https://www.cityservices.act.gov.au/trees-and-nature/trees/act\\_tree\\_register](https://www.cityservices.act.gov.au/trees-and-nature/trees/act_tree_register) or for further information please call Access Canberra on 132281.

----- END OF REPORT -----



# Residential REPORTS



## PRESALE REPORT

**38 Gledden Street**

Chifley

---

**REPORT PREPARED**

15 April 2026



35 Poynton Street Hughes



6288 0402



[info@residentialreports.com.au](mailto:info@residentialreports.com.au)

## SITE RECORD

ADDRESS	38 Gledden Street Chifley	
CLIENT	Michael & Meredith Damo	
OCCUPANCY STATUS	occupied - the dwelling was furnished at the time of inspection	
INSPECTOR - Mick Ffrench	INSPECTION DATE - 14 April 2026	WEATHER CONDITIONS - Fine
JOB REFERENCE - 46575	BLOCK - 2	SECTION - 32

## INSPECTION DATA SUMMARY

YEAR OF DEVELOPMENT (APPROX. ISSUE OF FIRST CERTIFICATE OF OCCUPANCY)	<ul style="list-style-type: none"><li>2023</li></ul>
AREA DETAILS (APPROX. SQM)	<ul style="list-style-type: none"><li>Residence - 279.02sqm off plan</li><li>Garage - 38.2sqm off plan</li><li>Block size - 789sqm</li></ul>
WALL CONSTRUCTION	<ul style="list-style-type: none"><li>brick veneer and fibrous cement cladding</li></ul>
ROOF CONSTRUCTION	<ul style="list-style-type: none"><li>timber truss construction corrugated metal roof covering</li></ul>
FLOOR CONSTRUCTION	<ul style="list-style-type: none"><li>concrete slab to the ground floor, suspended timber to the upper level</li></ul>
ENERGY RATING	<ul style="list-style-type: none"><li>5.5 stars</li></ul>
CONSTRUCTION	<ul style="list-style-type: none"><li>the dwelling is of adequate construction and structural workmanship for this type of residential development and its condition is commensurate with the era of construction, design, age and use</li></ul>
MAINTENANCE	<ul style="list-style-type: none"><li>there are maintenance items detailed in this report, please read the entire report</li></ul>
TIMBER PEST REPORT	<ul style="list-style-type: none"><li>please review the entire report, including the <i>Timber Pest Overview and Recommendations</i> section, for complete details and context</li><li>no evidence of active subterranean termites (live species) was found at the time of our inspection</li></ul>
COMPLIANCE REPORT	<ul style="list-style-type: none"><li>For details on structures in this block and section, see the compliance report</li></ul>

**IMPORTANT:** This report is intended to be read in its entirety. You must carefully read the full document including Detailed Inspection Information, Warranty & Use and Scope & Limitations prior to making any critical decisions. The above Data Summary is supplementary to the Report and should not be used as a standalone reference. It is imperative to review the complete Report and in the case of any discrepancies between the Report and the above comments, the information in the detailed Report is the final authority. The reader is requested to immediately contact us if any content is not fully understood and requires clarification or further explanation. We value the opportunity to work on this inspection project and wish you all the best as you evaluate this property.

Signed on behalf of:

Residential Reports Pty Limited ABN 38 609 880 122

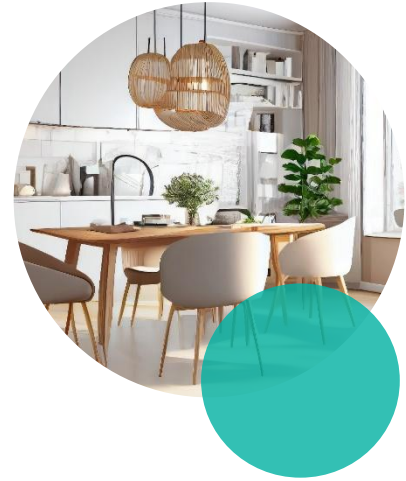
*Mick Ffrench*

Mick Ffrench

Building & Timber Pest Assessor ~ Pest Control Licence Number: 0858 (ACT) 5068195 (NSW)

## INSPECTION SCOPE – INTRODUCTION FOR THE READER

**The reader must refer to the comprehensive Warranty & Use and Scope & Limitations at the end of this report.** This report is written with reference to the Australian Standards outlined in our Scope & Limitations and is the result of a largely visual inspection only as required by the Standards. The inspection has been conducted to identify notable defects, insofar as an inspector can reasonably identify them and considering the building's age. Comments are provided primarily for items that could impact property value, normal wear and tear for an older building may not be detailed. If there are any discrepancies between the "Summary" and the Detailed Report, the Detailed Report should be relied upon. Where testing is undertaken and there are adverse findings, details will be noted. We do not inspect features such as electrical appliances, utilities, or swimming pool/s and equipment; qualified technicians should be consulted. This report does not quantify ongoing maintenance, upgrades, cosmetic works, or minor defects. If present, significant defects will be noted, and further investigation may be recommended. Where reference has been made to termites (live species, activity or prior activity) and maintenance or defects of significance, we strongly advise that prior to making any critical decisions, that the services of a suitably qualified tradesperson be engaged to quantify remedial action. Report comments may seem repetitive to emphasise that all inspected elements have been reviewed and a summary of inspection items is included at the end of the report for your reference.



## STANDARD INDICATORS EXPLAINED

Our Inspector uses the terms below to describe the condition of building elements. The inspection is visual and conducted under normal lighting. These terms consider factors like the building's age, construction quality and type. Keep in mind that what is considered "good" may vary between an older and a modern building. There are no estimates for repair costs reported, as these depend on your service provider and chosen action:

<b>GOOD</b>	The feature is generally in good condition and does not require major repairs. Minor imperfections in the finish or structure may be present. For elements like windows and doors, the observation refers to a visual inspection only, focusing on substantial defects affecting the property, not operational issues.
<b>FAIR</b>	The feature is functional but has deteriorated and would benefit from cosmetic or remedial repair work.
<b>POOR</b>	The feature in the inspector's opinion, requires remedial action. Repairs or replacement are considered necessary rather than discretionary.
<b>NO SIGNIFICANT DEFECTS</b>	This condition is applied when no significant structural or functional defects are observed. Minor issues may be present, and any remedial action is discretionary.
<b>DEFECTS HAVE BEEN IDENTIFIED</b>	This condition is applied where the inspector has identified defects that require remedial action or investigation considered necessary rather than discretionary.



## IMPORTANT NOTE

Your inspector has conducted a comprehensive visual site assessment following Australian Standards for the Building Report and Timber Pest Report. Whilst the reports are considered separate, we've organised all the data for each area into a single table for your convenience. For example, when commenting on fences, you'll find information on both building maintenance and pest considerations in the one table. Where suspected water leakage, termite activity, active or latent, or building defects have been identified in this report, we strongly suggest further investigation. **The reader must refer to the comprehensive Warranty & Use and Scope & Limitations contained in this report as it contains important advice for intending purchasers and for the owner of this building.** A proactive approach to building maintenance and timber pest management is essential to the upkeep of the property.

## INTERIOR

### Entrance/Hallway

ceilings and cornices	Fair to good <ul style="list-style-type: none"> <li>there are visible repairs to the cornice. This was considered to be of cosmetic significance only. Further repairs are discretionary</li> </ul>
architraves and skirting boards	good
walls	good
doors and windows internal	good

### Bedroom One

ceilings and cornices	good
architraves and skirting boards	good
walls	good
doors and windows internal	good

### Bedroom Two

ceilings and cornices	good
architraves and skirting boards	good
walls	good
doors and windows internal	good

### Bedroom Three

ceilings and cornices	good
architraves and skirting boards	good
walls	good
doors and windows internal	good <ul style="list-style-type: none"> <li>there are visible repairs to the window architrave. This was considered to be of cosmetic significance only. Further repairs are discretionary</li> </ul>

**Bedroom Four**

ceilings and cornices	good
architraves and skirting boards	fair to good <ul style="list-style-type: none"> <li>• there are visible repairs to the window architrave. This was considered to be of cosmetic significance only. Further repairs are discretionary</li> </ul>
walls	good
doors and windows internal	good

**Bedroom Five**

ceilings and cornices	good
architraves and skirting boards	good
walls	good
doors and windows internal	good

**Study**

ceilings and cornices	good
architraves and skirting boards	good
walls	good
doors and windows internal	good

**Bedroom One Ensuite**

ceilings and cornices	good
architraves and skirting boards	good
walls	good
doors and windows internal	good
vanity/hand basin	good
shower screen	good
toilet suite	good
ventilation	<ul style="list-style-type: none"> <li>• ceiling fan unit (with heat lamps)</li> </ul>
water leakage	<ul style="list-style-type: none"> <li>• no water leakage detected in accessible areas</li> </ul>
wall tiles	good
floor tiles	good
fit-out	good
hardware, fixtures and fittings	good

<b>Bedroom Five Ensuite</b>	
ceilings and cornices	good
architraves and skirting boards	good
walls	good
doors and windows internal	good
vanity/hand basin	good
shower screen	good
toilet suite	good
ventilation	<ul style="list-style-type: none"> <li>ceiling fan unit (with heat lamps)</li> </ul>
water leakage	<ul style="list-style-type: none"> <li>no water leakage detected in accessible areas</li> </ul>
wall tiles	fair <ul style="list-style-type: none"> <li>there are chipped tiles adjacent to ensuite door</li> </ul>
floor tiles	good
fit-out	fair <ul style="list-style-type: none"> <li>the mirror is showing signs of deterioration</li> </ul>
hardware, fixtures and fittings	good

<b>Bathroom and Toilet</b>	
ceilings and cornices	good
architraves and skirting boards	good
walls	good
doors and windows internal	good
vanity/hand basin	good
shower screen	good
bath	good
ventilation	<ul style="list-style-type: none"> <li>ceiling fan unit (with heat lamps)</li> </ul>
toilet suite	good
water leakage	<ul style="list-style-type: none"> <li>no water leakage detected in accessible areas</li> </ul>
wall tiles	good
floor tiles	good
fit-out	good
hardware, fixtures and fittings	good

<b>Powder Room</b>	
ceilings and cornices	good
architraves and skirting boards	good
walls	good
doors and windows internal	good
toilet suite	good
vanity/hand basin	good
water leakage	<ul style="list-style-type: none"> <li>no water leakage detected in accessible areas</li> </ul>
ventilation	<ul style="list-style-type: none"> <li>ventilation is provided by a ceiling mounted exhaust fan</li> </ul>
wall tiles	good
floor tiles	good
hardware, fixtures and fittings	good

Laundry	
ceilings and cornices	good
architraves and skirting boards	good
walls	good
doors and windows internal	good
laundry tub	good
water leakage	<ul style="list-style-type: none"> <li>no water leakage detected in accessible areas</li> </ul>
ventilation	<ul style="list-style-type: none"> <li>there is no mechanical ventilation</li> </ul>
wall tiles	good
floor tiles	good
hardware, fixtures and fittings	good

Kitchen and Family Area	
ceilings and cornices	fair to good <ul style="list-style-type: none"> <li>some of the screws in the plasterboard ceiling are visible</li> </ul>
architraves and skirting boards	good
walls	good
doors and windows internal	fair to good <ul style="list-style-type: none"> <li>there are visible repairs to the sliding door frame. This was considered to be of cosmetic significance only. Further repairs are discretionary</li> </ul>
sink	good
splashback	good
ventilation	<ul style="list-style-type: none"> <li>ventilation is provided by an externally ducted range hood</li> </ul>
hardware, fixtures and fittings	good
kitchen fit-out	good

Theatre Room	
ceilings and cornices	good
architraves and skirting boards	good
walls	good
doors and windows internal	good

Lounge Room/Office	
ceilings and cornices	good
architraves and skirting boards	good
walls	good
doors and windows internal	good

Hallway	
ceilings and cornices	good
architraves and skirting boards	good
walls	fair to good <ul style="list-style-type: none"> <li>there are visible repairs to the wall lining below roof step junction. This was considered to be of cosmetic significance only. Further repairs are discretionary</li> </ul>
doors and windows internal	good

<b>Steps and Stairs</b>	
steps and stairs internal	good
balustrades and handrails	good
ceilings and cornices	good
walls	fair to good <ul style="list-style-type: none"> <li>• there are imperfections to the wall lining - this is a cosmetic matter and repairs required are minimal</li> </ul>

<b>Roof Cavity</b>	
insulation	<ul style="list-style-type: none"> <li>• the roof cavity is insulated with fibreglass batts</li> </ul>
sarking	<ul style="list-style-type: none"> <li>• insulated sarking has been installed in the roof cavity</li> </ul>
roof construction	<ul style="list-style-type: none"> <li>• timber truss construction</li> </ul>
termites - roof void	<ul style="list-style-type: none"> <li>• no active termites and/or termite damage or workings were observed in the areas accessible at the time of inspection</li> </ul>
wood decay - roof void	<ul style="list-style-type: none"> <li>• no evidence of wood decay (rot) fungi damage was sighted in areas accessible at the time of inspection</li> </ul>
borers - roof void	<ul style="list-style-type: none"> <li>• no evidence of borer damage was sighted in areas accessible at the time of the inspection</li> </ul>

<b>Interior/Main Dwelling</b>	
termites - interior	<ul style="list-style-type: none"> <li>• no active termites and/or termite damage or workings were observed in the areas accessible at the time of inspection</li> </ul>
wood decay - interior	<ul style="list-style-type: none"> <li>• no evidence of wood decay (rot) fungi damage was sighted in areas accessible at the time of inspection</li> </ul>
borers - interior	<ul style="list-style-type: none"> <li>• no evidence of borer damage was sighted in areas accessible at the time of the inspection</li> </ul>

Inspection Items	
roof exterior	no significant defects <ul style="list-style-type: none"> <li>• corrugated metal roof covering</li> </ul>
gutters and downpipes	no significant defects
eaves, fascia and barge ends	no significant defects
wall construction exterior	no significant defects <ul style="list-style-type: none"> <li>• brick veneer and fibrous cement cladding</li> </ul>
doors and windows external	no significant defects
floor construction	no significant defects <ul style="list-style-type: none"> <li>• concrete slab to the ground floor, suspended timber to the upper level</li> </ul>
driveway	no significant defects
paths and paving	no significant defects
swimming pool or spa	<ul style="list-style-type: none"> <li>• the swimming pool, filtration equipment and safety fencing, gates and other aspects of swimming pool safety are not included in this report. A self closing, self latching gate is present, however, extensive testing has not been performed. To obtain specific information relative to these items and advice regarding optimum pool safety barrier systems it will be necessary to commission an inspection by a suitably qualified technician. Safety requirements are not related to the specifications contained in the current Building Code of Australia</li> <li>• For more information: visit <a href="http://residentialreports.com.au">residentialreports.com.au</a>, click on 'resource library' and refer to the publication - Swimming Pool and Spa Regulations &amp; Swimming Pool and Spa Safety</li> </ul>
solar unit	<ul style="list-style-type: none"> <li>• solar panels have been installed; the solar installation is not included in this inspection therefore, we do not comment on any aspect of its operation. Where solar panels have been installed, we are unable to apply a condition to the area of roof covering beneath due to restricted access</li> </ul>
fences and gates	no significant defects

## Subfloor

slab n/a	<ul style="list-style-type: none"> <li>• not applicable, slab on fill construction</li> </ul>
----------	---

<b>Garage</b>	
description	<ul style="list-style-type: none"> <li>• double garage with internal access</li> </ul>
roof exterior	good <ul style="list-style-type: none"> <li>• corrugated metal roof covering</li> </ul>
gutters and downpipes	good
wall construction exterior	good <ul style="list-style-type: none"> <li>• brick veneer and brick cavity construction</li> </ul>
floor construction	good <ul style="list-style-type: none"> <li>• concrete slab construction</li> <li>• there is no evidence that the floor has any significant defects, stored goods prohibit a visual inspection of some areas so it is possible that defects may be concealed</li> </ul>
doors	good <ul style="list-style-type: none"> <li>• one panel lift door has been fitted</li> </ul>
ceilings and cornices	good
doors and windows internal	good
termites - garage	<ul style="list-style-type: none"> <li>• no active termites and/or termite damage or workings were observed in the areas accessible at the time of inspection</li> </ul>
wood decay - garage	<ul style="list-style-type: none"> <li>• no evidence of wood decay (rot) fungi damage was sighted in areas accessible at the time of inspection</li> </ul>
borers - garage	<ul style="list-style-type: none"> <li>• no evidence of borer damage was sighted in areas accessible at the time of the inspection</li> </ul>
walls	good

<b>Alfresco</b>	
roof exterior	good <ul style="list-style-type: none"> <li>• corrugated metal roof covering</li> </ul>
gutters and downpipes	good
floor construction	good <ul style="list-style-type: none"> <li>• concrete slab construction with tiles over</li> </ul>
ceilings and cornices	good
termites - garage	<ul style="list-style-type: none"> <li>• no active termites and/or termite damage or workings were observed in the areas accessible at the time of inspection</li> </ul>
wood decay - garage	<ul style="list-style-type: none"> <li>• no evidence of wood decay (rot) fungi damage was sighted in areas accessible at the time of inspection</li> </ul>
borers - garage	<ul style="list-style-type: none"> <li>• no evidence of borer damage was sighted in areas accessible at the time of the inspection</li> </ul>

<b>Entry Patio</b>	
patio construction	good <ul style="list-style-type: none"> <li>• tiled floor construction</li> </ul>
drainage	good <ul style="list-style-type: none"> <li>• drainage appears to be directed away from the dwelling, however, this was not tested at the time of inspection</li> </ul>

Laundry Patio	
patio construction	good <ul style="list-style-type: none"><li>• concrete slab</li></ul>
drainage	good <ul style="list-style-type: none"><li>• drainage appears to be directed away from the dwelling, however, this was not tested at the time of inspection</li></ul>

## TIMBER PEST - OVERVIEW & RECOMMENDATIONS

Overall risk - pest	<ul style="list-style-type: none"> <li>considering all of the relevant factors, it is our opinion that the overall degree of risk of timber pest infestation to the property is MODERATE to HIGH - we strongly recommend that regular inspections are undertaken</li> </ul>
Evidence of timber pests	<ul style="list-style-type: none"> <li>no evidence of active subterranean termites (live species) was found at the time of our inspection</li> </ul>
Evidence of a termite nest	<ul style="list-style-type: none"> <li>no, please read the report in full</li> </ul>
Evidence of a pest treatment	<ul style="list-style-type: none"> <li>we found a preventative treatment notice posted in the meter box</li> <li>Homeguard Termite Management System (please refer to Manufacturer's instructions in regard to inspection zone requirements)</li> </ul>
Pest treatment required?	<ul style="list-style-type: none"> <li>at the time of the inspection a treatment in accordance with Australian Standard 3660.1 to control or prevent subterranean termites from infesting and causing damage to the property was not considered necessary, however regular inspections should be carried out as recommended</li> </ul>
We recommend pest inspections are conducted every:	<ul style="list-style-type: none"> <li>6 to 12 months</li> </ul>
Drainage and ventilation	<ul style="list-style-type: none"> <li>concrete slab construction - not applicable</li> </ul>
Mould	<ul style="list-style-type: none"> <li>mould was not observed at time of inspection</li> </ul> <p>Mould on walls and ceilings etc; is an indicator of high moisture or very poor ventilation. If reported you should commission further investigation by a builder or an Industry Hygienist as its presence may indicate a water leak, wood decay or termites behind the wall or ceiling sheeting.</p>
Weep holes	<p><b>Were the weep holes clear allowing the free flow of air?</b></p> <ul style="list-style-type: none"> <li>yes</li> </ul> <p>Weep holes are small openings that allow water to drain from within an assembly. Weeps are located at the bottom of the building to allow for drainage. It is important that soil, lawn, concrete paths or pavers do not cover the weep holes. Sometimes they have been covered during the rendering of the brick work. They should be clean and free flowing. Covering the weep holes in part or in whole may allow undetected termite entry.</p>
Slab edge exposure	<p><b>Is the slab edge exposed?</b></p> <ul style="list-style-type: none"> <li>not able to comment as the slab type cannot be determined</li> </ul> <p>Where external concrete slab edges are not exposed there is a high risk of concealed termite entry. In some buildings built since July 1995 the edge of the slab forms part of the termite shield system. In these buildings an inspection zone of at least 75mm should be maintained to permit detection of termite entry. The concrete edge should not be concealed by render, tiles, cladding, flashings, adjoining structures, paving, soil, turf or landscaping etc. Where this is the case, you should arrange to have the slab edge exposed for inspection. Concealed termite entry may already be taking place but could not be detected at the time of the inspection. This may result in concealed timber damage.</p>

Termite shields (ant caps) cont.	<p><b>In our opinion the termite shields appear to be:</b></p> <ul style="list-style-type: none"> <li>● not applicable, concrete slab construction</li> </ul> <p>Termite Shields should be in good order so termite workings are exposed and visible. This helps stop termites gaining undetected entry. Joins in the shielding should have been soldered or sealed with an approved sealant as per AS 3660 during the installation. Whenever it is observed that the joins in the shielding have not been soldered then the shielding must be reported as inadequate. It may be possible for a builder to repair the shielding. If not, a chemical treated zone may need to be installed to deter termites from gaining concealed access to the building. Missing, damaged or poor shields increase the risk of termite infestation. Other physical shield systems are not visible to inspection and no comment is made on such systems.</p>
Hot water, air conditioning and water tanks	<p>Units that release water alongside or near to building walls need to be connected to a drain. If this is not possible then their water outlet needs to be piped several meters away from the building, as the resulting wet area is highly conducive to termites.</p> <p><b>Is there a need for work to be carried out?</b></p> <ul style="list-style-type: none"> <li>● not applicable to this property</li> </ul>
General recommendations	<ul style="list-style-type: none"> <li>● As this property is located in an area where subterranean timber pests are commonly found we strongly recommend that you have regular inspections carried out no later than every 6 - 12 months (or as specifically recommended above) to ensure that there is no termite activity present in your buildings and structures.</li> <li>● The stored timbers and/or firewood in the grounds should be removed or elevated onto a material which is not conducive to attack such as brick, stone or concrete.</li> </ul>

It should be noted that if the risk factor specified in this report is considered to be high it is encouraging awareness that increased vigilance is warranted. Any recommendations regarding reducing conditions that are conducive to timber pests or frequency of inspections must be observed. If termite activity, active or latent, has been identified in this report, we strongly suggest an invasive inspection is carried out. To safeguard against potential timber pest attack, we recommend that a full inspection be undertaken every 6-12 months at a minimum or as specifically recommended above. We strongly encourage the property owner to consider implementing a Timber Pest Preventative Management Plan, which includes periodic Termite Inspections. A proactive approach will help ensure the ongoing protection of the property. Please call our office on 6288 0402 for advice and information or to arrange a customised schedule for this building or contact your regular inspector.

Plan No. (if applicable)	Description	Date of COU Approvals (Certificate of Occupancy)	Comments
B20232422/A	demolition of residence	28/08/2023	
B20232422/A	residence, garage, porch & alfresco	19/11/2024	
B20251773/A	swimming pool	13/11/2025	<ul style="list-style-type: none"> <li>• da exempt</li> </ul>
	pergola		<ul style="list-style-type: none"> <li>• approval is required, the structure exceeds allowable dimensions for exemption</li> <li>• rafter exceeds 4m span</li> </ul>
	garden shed		<ul style="list-style-type: none"> <li>• the dimensions of the structure are exempt from approval, however, the structure is located on an easement</li> </ul>

*For any incomplete approvals please email [acbuildingconveynce@act.gov.au](mailto:acbuildingconveynce@act.gov.au) for further information on how to complete.*

## COMPLIANCE REPORT NOTATION

**IMPORTANT NOTE** - We obtained a Building File from Access Canberra to complete this Compliance Report. This report relates to Building and Development approvals only. The building file may contain floor plans, elevations, Certificates of Occupancy & Use, index, survey reports, and drainage plans. Our report is based on examining these documents and conducting a visual inspection, focusing on compliance matters from the provided file. Please be aware that if plan details are unclear or compromised, we are not liable for any omissions or errors. Refer to more details about Compliance in our Scope & Limitations. For information regarding current dimensions and approvals you can visit: [planning.act.gov.au/topics/design\\_build/da\\_assessment/exempt\\_work](http://planning.act.gov.au/topics/design_build/da_assessment/exempt_work)

**EASEMENTS** - An easement is a section of land registered on your property which gives another party the right to access it for a specific purpose. An example is a section of the property that contains municipal services such as electricity, or drainage infrastructure. If a structure requires approval and is located on an easement the appropriate utility provider is consulted during the certification process and it is they who determine if an application for approval will be supported.

**TCCS, PLUMBING & ELECTRICAL APPROVAL** - If this report notes structures or alterations that require Transport Canberra & City Services (TCCS), Plumbing or Electrical Approval or cites plumbing and electrical additions and or alterations, please note that approval may have been granted, however, documentation is not provided in the building file. The Environment & Planning Directorate or the owner may have further information.

**DEVELOPMENT APPROVAL** - If this report identifies structures that require Development Approval, information relating to the status of Development Approvals will be shown on the Lease Conveyancing Enquiry provided by the solicitor. This will be included in the Conveyancing Contract for Sale. The status of a pending Development Approval is not contained within the building file we receive.

**SWIMMING POOLS & SPAS** - The ACT Government has introduced reforms to home swimming pool safety, with a focus on swimming pool safety barriers. The reforms commence on 1 May 2024, with a four-year transition period. The scheme imposes requirements for information about the safety standard of a regulated swimming pool to be disclosed on the sale of a property. Owners must provide prescribed information including: exemption certificate, compliance certificate, swimming pool disclosure statement, certificate of occupancy for the pool and safety barriers that is not older than 5 years and 'Pool Owners Guidance Material' which outlines the obligations on owners of premises on which a regulated swimming pool is located. If this information is not provided in this report, you must request a copy. For more information on the reforms visit the ACT Government's Planning website.

**EXTENSIONS** - Where an extension or addition has been made to a property, it can create a potential gap or discontinuity in the termite barrier system. This gap occurs between the original structure and the new addition. Termite barriers are critical in aiding the prevention of undetected subterranean termites from entering the dwelling, and any interruption in the barrier can compromise its effectiveness. We are unable to report on the existence, condition or continuity of the termite barrier system between the existing dwelling and additions or alterations.

## PROPERTY ACCESS

Restricted access caused by stored goods, furnishings, window treatments, floor coverings, security devices, vegetation, duct work, confined spaces, insulation and other impediments will limit the scope of this inspection. Whilst every effort has been made to conduct a comprehensive roof cavity and subfloor inspection there are limitations relative to safe access requirements which include low clearances, the availability of safe walk-ways and work-safe temperatures, which when applicable, will limit the inspection. The roof exterior is inspected when accessible from a 3.6 metre ladder, or from ground level where there are height restrictions. Only structures, fences and/or trees within 30m of the building but within the property boundaries were inspected. No inspection was made, and no report is submitted with respect to inaccessible areas. These include, but may not be limited to, cavity walls, concealed frame timbers, eaves, flat roofs, fully enclosed patios, subfloors, soil concealed by concrete floors, wall linings etc. Where a property is furnished at the time of the inspection the furnishings and stored goods may be concealing evidence of Timber Pest Activity. This evidence may only be revealed when the property is vacated. A further inspection of the vacant property is strongly recommended in this case. Please note where a complete inspection of any area was not possible, timber pest activity and/or damage may exist in these areas. Prior to making any critical decisions, further inspections are strongly recommended to areas where reasonable access is unavailable, obstructed or restricted or a high risk of possible timber pests and /or damage exists.

38 Gledden Street Chifley	
Area	Restrictions
<b>INTERIOR</b>	access during inspection of the interior of the property was restricted by: <ul style="list-style-type: none"> <li>- furniture and stored goods including in cupboards and under sink units</li> <li>- window treatments and floor coverings</li> <li>- stored goods within the dwelling</li> </ul>
<b>SUBFLOOR</b>	there is no subfloor, the dwelling is constructed on a concrete slab
<b>ROOF CAVITY</b>	our inspection of the roof cavity was restricted by: <ul style="list-style-type: none"> <li>- low clearances</li> <li>- insulation covering the ceiling framing</li> <li>- inspection around the eaves was restricted due to low pitch and clearances</li> <li>- sarking</li> <li>- duct work</li> </ul>
<b>ROOF EXTERIOR</b>	roof exterior: <ul style="list-style-type: none"> <li>- height restrictions did not allow for a roof top inspection to first floor, top of ladder ground floor inspection was undertaken. No condition has been applied to the first floor area</li> </ul>
<b>GROUNDS &amp; EXTERNAL STRUCTURES</b>	access to the inspection of grounds/external structures was restricted by: <ul style="list-style-type: none"> <li>- vegetation restricted visual inspection to some areas</li> <li>- stored goods restricted access to the garage area</li> </ul>

## WARRANTY & USE OF OUR REPORTS

This report is **intended to be read in its entirety**. The report is written solely for the use and benefit of:

The Client named in this report

The Purchaser of the property

No liability or responsibility in contract or tort or statute is accepted to any Other Party who may rely on the report wholly or in part. Any Other Party acting or relying on this report, wholly or in part, does so at their own risk. Additionally, no liability or responsibility will be accepted if the invoice for this report is not paid on or before settlement of the sale contract or within one hundred and eighty (180) days from the date of inspection.

No liability shall be accepted on account of failure of the report to notify any termite activity and/ or damage present at or prior to the date of the report in any areas of the subject property physically inaccessible, or to which access for inspection is denied by or to the Inspector including but not limited to any areas so specified by the Report. Furthermore, we do not assume liability for any omissions, errors, or inaccuracies in documents provided by external agencies, the client, or their representative. The report is only an opinion of Residential Reports and is valid for one hundred and eighty (180) days from the date of inspection as per the Civil Law (Sale of Residential Property) Act. No liability will be accepted or claims considered after the expiration of this period of liability.



Before the property exchange, you will have the opportunity to attend a pre-settlement inspection to conduct your due diligence. Carefully consider the building's age and its impact on elements like windows, doors, and cupboards. Our inspectors do not assess ongoing maintenance, and as such you or your representative should personally appraise relevant building elements. If it is claimed that there is an omission relating to this report, Residential Reports must be notified in writing before any action is taken. No liability shall be accepted where any costs (including for remedial action or professional advice) are incurred by the claimant prior to Residential Reports receiving written notification along with evidence of the defect or omission, being given a reasonable opportunity to re-inspect the property, obtain professional advice and propose a resolution or arrange for rectification work to be undertaken. Unless costs are specified and agreed to in writing, no liability will be accepted. No liability shall be accepted for any costs incurred in excess of the reasonable costs required to rectify the defect or omission claimed. ***This report supersedes any other report, verbal or written, given to you by this company in respect of this property. If you have questions or do not understand any part of this document and require clarification, please contact us prior to acting on this report. Copyright remains with Residential Reports, the report content, style and presentation is not to be copied or reproduced without written authority of the Company.***

## SCOPE & LIMITATIONS OF OUR INSPECTION

This report has been prepared as a result of a largely **VISUAL INSPECTION ONLY** with limited operational testing conducted as required by Australian Standard AS 4349.0-2007 Inspection of Buildings (General requirements), AS 4349.1-2007 Inspection of Buildings (Pre-purchase inspections - Residential Buildings) and AS 4349.3 - 2010 Inspection of Buildings Part 3: Timber Pest Inspections. It is limited to the condition of those areas of the property that were fully accessible (see Safety and Reasonable Access) and visible to the inspector at the time of inspection. In the case of a Strata type property, our inspector only undertakes an examination of the interior of the unit. You must read the entire report and Scope & Limitations sections before reaching any conclusions regarding our opinion of the property's condition. Any person relying on this report acknowledges the following clauses, which define the Scope and Limitations of the inspection and form an integral part of the report.

## LIMITATION OF LIABILITY

This report is valid on the date of inspection. Responsibility is not accepted for any matter that is not evident, or, for any deterioration of the property that occurs after the date of the inspection. The inspection is a visual assessment only.

The operation/working condition of limited features may have been commented on during the course of our inspection. Operational testing is limited, where testing occurs and a defect is identified, this defect may be noted in the Report if it is a major defect and may be investigated further to provide more detail. However, this does not impose on the inspector any further obligation to test each same item, nor does it impose an obligation to make note if in the inspector's reasonable view, the defect is not a major defect. There is no guarantee

that items referenced will operate as intended at a later date. Prior to purchase, the purchaser must conduct their own due diligence most particularly where defects have been documented in this report so that they are able to quantify the extent and cost of required remedial action. The Purchaser acknowledges that they should not solely rely on this Report as to the exact condition of the property and that they should obtain independent advice from a qualified technician relative to required remedial actions.

Concealed areas are not reported on. Concealed defects may include, but are not limited to:

- Breakage, blockage or interference with concealed pipes, concealed window and door mechanisms
- Defective service installations
- Any part of the structure which is underground or concealed e.g. footings, wall and ceiling framing, concealed floor structures
- Areas concealed by furnishings, fixtures and fittings or stored goods, low clearances or where safe access is not possible.

Responsibility is not accepted for defects which are latent or otherwise not reasonably detected in a visual inspection without interference with, removal or breaking apart of any of the structure including fixtures, fittings, furniture, insulation or stored items within and around the building. The inspector notes that some defects may be concealed, obstructed and/or inaccessible at the time of the inspection. The reader should be aware that various features of the property such as large and heavy furniture, as well as electrical goods including washing machines and fridges may obstruct the view of the inspector and/or make possible defects inaccessible such that their visibility to the inspector is limited and they may not be identified. The Purchaser acknowledges that Residential Reports will not accept any liability for concealed, obstructed and/or inaccessible defects that the inspector does not identify.



## EXCLUSION OF ITEMS FROM INSPECTION

AS 4349.1 – 2007 excludes reporting of the following items: Footings below ground, concealed damp-proof course, electrical installations, operation of smoke detectors, light switches and fittings, TV, sound and communications and security systems, concealed plumbing, adequacy of roof drainage as installed, gas fittings and fixtures, air-conditioning, automatic garage door mechanisms, swimming pools and associated filtration and similar equipment, the operation of fireplaces and solid fuel heaters, including chimneys and flues, alarm systems, intercom systems, soft floor coverings, electrical appliances including dishwashers, incinerators, ovens, ducted vacuum systems, paint coatings, except external protective coatings, health hazards (e.g., allergies, soil toxicity, lead content, radon, presence of asbestos or urea formaldehyde), timber and metal framing sizes and adequacy, concealed tie-downs and bracing, timber pest activity, other mechanical or electrical equipment (such as gates, inclinators, soil conditions, control joints, sustainable development provisions, concealed framing-timbers or any areas concealed by wall linings/sidings, landscaping, rubbish, floor covers, furniture and accessories, stored items, insulation, environmental matters (e.g., BASIX, water tanks, BCA Environmental Provisions), energy efficiency, lighting efficiency.

## WHAT THE INSPECTOR EXAMINES TO PREPARE A PROPERTY REPORT...

### ...AND IMPORTANT NOTES ABOUT THESE AREAS

The following outlines aspects of the property that can be examined through visual inspection, derived from the Australian Standard AS4349.1–2007. Comments are generally provided only if significant issues are found. The inspector didn't move or remove any coverings or furnishings, which could hide defects. Damage to concealed structures or pest activity may not be visible due to foliage or other obstructions. This report is a guide for potential buyers and should complement your own inspection and due diligence. Some aspects are subjective, so consider factors like presentation, past maintenance, and construction age when forming opinions.

**DOORS & DOOR FRAMES** - Defective hardware – significant, rotting/corroded frames, loose/badly fitting doors, damage.

**EXTERNAL ROOF COVERING, FASCIAS, GUTTERS & DOWNPIPES** - Tiles/slates, sheet roofing, flashing, skylights, vents, downpipes, valleys, guttering, eaves, fascia boards, barge ends. Roof waterproof integrity and roof drainage is not tested during our inspection therefore it is not possible to determine the effectiveness of the roof cover and drainage system under all conditions. It is important to note that a visual inspection of the roof covering may not identify roof leakages. Roof design can have a significant impact on roof drainage. Low pitched construction can, in adverse weather conditions lead to flooding of the roof cover. Effective roof drainage is absolutely critical for a flat framed or low pitch roof. Flooding of the roof cover can result in water ingress within the building envelope. Roof drainage and the stormwater systems are not tested at the inspection. Inadequate, blocked or non-existent stormwater drains are often accountable for problems relating to roof drainage. Repainting of timber can mask the existence of timber rot. We cannot guarantee that all timbers are sound. A visual inspection may not, in some circumstances, detect roofing timbers affected by rot.

**EXTERNAL WALLS & NON-STRUCTURAL RETAINING WALLS** - Bricks, mortar, render, cracking/movement, dampness, visible flashing, weep holes, joint sealants, perpendes, decay. Settlement cracks, if present, need to be monitored over a period of time to determine if an ongoing structural problem exists. If any reference has been made in this report to cracking, settlement and or movement, it should be noted that we are not experts in this area and further advice, if considered necessary, should be obtained from a Structural Engineer.

**FENCES & GATES** - Palings/panels, rails, posts, sagging, timber decay (rot).

**FLOORS** - **TIMBER**: Springy or squeaky boards/sheeting, timber decay (rot), out of level – significant, undulations - significant, dampness/water damage; **CONCRETE**: cracking, out of level – significant; **HARD FLOORING**: cracking, loose or drummy units, dampness/water damage

**INTERNAL ROOF SPACE** - Framing, insulation, sarking, party walls (if applicable). Sarking is a foil insulation/vapour barrier. Used in conjunction with bulk insulation, sarking provides an ideal insulation system for the control of heat and condensation. Sarking can only be installed during construction.

**KITCHEN** - Fit out, sealants, ventilation, taps, leakage, sink, drummy/cracked/missing tiles, grout defects. This report does not cover any matters relating to the operation of electrical or gas appliances. Any comments made in this regard are from a general observation only.

**PAINTWORK** - The condition of painted surfaces is often a subjective matter. Areas that appear to be acceptable when furnished may not always be considered so when devoid of obstructions. Paint work is normally not considered in Property Inspections. To prevent wood decay of timber surfaces and deterioration of metal components, the condition of these surfaces should be monitored, and repainting carried out regularly. Corrosion of any metal roof sheeting should be repaired, treated and painted to avoid water leakages. Painted surfaces can mask areas where timber has deteriorated. Our visual inspection may not detect instances where this has occurred. The opinions provided here are of a general nature only, given that there can be significant differences in the condition of painted surfaces in each area of the property. The reader of this report is urged to conduct their own detailed inspection before reaching a conclusion regarding the acceptability of painted surfaces

**PATHS, PAVING & DRIVEWAY** - Cracking, movement, uplifting, sinking, alignment, roof penetration.

**SPECIAL PURPOSE REPORTS** - Improvements such as swimming pools and spas are subject to a Special Purpose Report and are not included in our inspection and reports. We recommend that a qualified technician be engaged to report on these items and to advise on current regulations relating to safety fencing and equipment.

**STAIRCASES** - Stringers, handrails, balustrades, newel posts, treads (goings), risers

**SUB FLOOR** -Dampness, debris, drainage, ventilation, cracked or leaking pipes; **TIMBER CONSTRUCTION**: bearers & joists, framing, piers/stumps; **SUSPENDED CONCRETE FLOOR CONSTRUCTION**: concrete condition, cracking. If moisture is noted, it is recommended that the sub-floor area be monitored to ensure that surface and sub-surface moisture ingress is not an ongoing issue. If the area remains damp, consideration should be given to upgrading subterranean and surface drainage systems to ensure that moisture is directed away from the building foundations and the sub-floor area is kept dry. A qualified drainage expert should be consulted with regard to drainage issues.

Foundation problems are caused by reactive soil types and trees and gardens being planted too close to the building. Generally, clay soils which are common in the ACT, are reactive soils. Large trees use vast amounts of water and can quickly draw moisture out of the ground during dry periods, this results in destabilised moisture content of the soils around the building and ultimately may cause a foundation problem. Over watering gardens close to the building may have the opposite effect, especially with clay soil. Over watering increases the moisture content of the soil which can result in “heaving” of the foundations adjacent to the garden. When watering close to the building you should avoid ‘pooling’ of water in a particular area, as this also affects the moisture content of the soil which in turn can cause damage to footings and foundations. Too much or too little water near the perimeter of the building may cause serious problems with foundations and footings and damage can cause major structural problems, resulting in costly repairs.

#### **HINTS FOR AVOIDING PROBLEMS AND COSTLY REPAIRS:**

- Water gardens evenly close to the building and do not over water
- Ensure the ground is graded away from the walls of the building and that the property has adequate drainage
- Promptly repair broken downpipes, leaking taps, sewerage pipes and other water services
- Hot water system overflows should be directed away from the area immediately adjacent to the foundations and the services maintained to ensure excessive leakage does not occur
- Garden beds should not be located against the house

**TIMBER PESTS** - Our visual inspection is undertaken to identify the following timber pests: Subterranean termites, Borers, Timber decay (rot) fungi. Where applicable and where there is reasonable access, the following areas are examined: interior and exterior of structures, roof cavity, subfloor, garage or carport, garden and storage sheds/outbuildings, retaining walls and garden borders, pergolas and decks, structures, fences and trees within 30m of the building within the boundaries of the property. Water leaks: especially in the subfloor or against external walls e.g. leaking taps, roofs or down pipes, increases the likelihood of termite attack. Leaking showers or leaks from other 'wet areas' also increase the likelihood of concealed timber pest attack. Where evidence of termite activity was found in the grounds then the risk to buildings is very high. A treatment to eradicate the termites and to protect the building(s) should be immediately carried out. Where the evidence of termite workings (including dormant mud leads) was found in the grounds or the building(s) then the risk of a further attack is very high. If live termites or any evidence of termite workings or damage was reported within the building(s) or in the grounds and fences then it must be assumed that there may be concealed termite activity and/or timber damage. This concealed activity or damage may only be found when alterations are carried out such as when wall linings, cladding or insulation are removed or if you arrange for an invasive inspection. In situations where visual evidence of termite activity or damage is reported, but no live termites were observed during the inspection, it's important to recognise that termites might still be active in the immediate vicinity, potentially causing further damage. Determining whether the infestation is active or inactive requires multiple inspections over time, as various factors, such as prior disturbances, climatic conditions, or the termites finding an alternative food source, can influence their presence during a single inspection. To safeguard against potential termite-related issues, we recommend continued, regular inspections. **An invasive inspection is also an option for a more comprehensive assessment. We strongly encourage the property owner to consider implementing a Timber Pest Preventative Management Plan, which includes periodic Termite Inspections. This proactive approach will help ensure the ongoing protection of the property against potential termite threats. Please call our office on 6288 0402 for information and to arrange a customised schedule for this building or contact your regular inspector.**

**WALL CONSTRUCTION** - Distortion (significant), nail popping, defective lining, dampness/water damage, cracking, defective or damaged plaster/render. Settlement cracks, if present, need to be monitored over a period of time to determine if an ongoing structural problem exists. If any reference has been made in this report to cracking, settlement and/or movement, it should be noted that we are not experts in this area and further advice should be obtained from a Structural Engineer.

**WATERPROOFING - A VISUAL INSPECTION OF THE AREA CANNOT PROVIDE CONCLUSIVE EVIDENCE THAT THE AREA IS WATERPROOF.** Compliance with Australian Standard AS 370-2004 Waterproofing of Wet Areas is critical to meeting waterproofing requirements. Should conclusive evidence be required regarding the integrity of waterproofing of wet areas, in particular shower areas, we recommend that a qualified technician be engaged to complete a comprehensive test to include:

- Capping the shower rose and leaving the water reticulation system under pressure and then checking for evidence of water leakage around tap spindles etc. (the sound of escaping air when the shower rose cap is removed indicates a watertight system). The technician may be engaged to complete a comprehensive pressure test of the entire water reticulation system.
- Plugging the floor drain of the shower cubicle and filling the base with water to the maximum level. Allowing the water to remain in the base for an extended period and checking that the level has not dropped. If the water has diminished it is most likely that the waterproofing system has failed.

**WET AREAS** - Fixtures and fittings, ventilation, cistern/pan, taps, basins, tubs, leakage, sealants, drummy/cracked/missing tiles, grout defects, vanity, shower leakage, broken/cracked glass. If a wet area was not in service prior to and or at the time of inspection and no elevated moisture readings were recorded, or there was no visible evidence of current water leakage, then it is possible that an existing water leak will remain undetected.

**WINDOWS** - Putty/glazing sealant, broken glass, rotting frames (timber), corrosion (metal), sills, fittings/hardware, damage. In most cases access to windows is restricted by window treatments, furniture or security locks. Older style timber windows can sometimes bind with the frame. This is viewed as a general maintenance issue. Sash windows sometimes require maintenance to the window balance mechanism or sash cords. A visual inspection cannot provide a guarantee that windows will operate smoothly. Sometimes window runners, sashes and balance mechanisms will require maintenance or replacement.



## SAFETY & REASONABLE ACCESS

Australian Standard 4349.1 – 2007 3.2.2 The extent of accessible areas shall be determined by the inspector at the time of inspection, based on the conditions encountered at the time of inspection. The inspector shall also determine whether sufficient space is available to allow safe access. The inspection shall include only accessible areas and areas that are within the inspector's line of sight and close enough to enable reasonable appraisal. The Australian Standard 4349.3 defines reasonable access as "areas where safe, unobstructed access is provided and the minimum clearances are available; or, where these clearances are not available, areas within the consultant's unobstructed line of sight and within arm's length. NOTE: Reasonable access does not include removing screws and bolts to access covers." Reasonable access is determined in accordance with the provisions of the following WHS requirements;

Area	Access Manhole MM	Crawl Space MM	Height
Subfloor	500 x 400	VERTICAL CLEARANCE - Timber Floor: 400* Concrete Floor: 500	Height
Roof Interior	400 x 500	600 x 600	Accessible from a 3.6 m ladder
Roof Exterior			Accessible from a 3.6 m ladder

\* To underside of bearer, joist or other obstruction to access.

### ROOF COVER INSPECTION

Work Health and Safety requirements determine that an inspector accessing a roof cover must be protected by harnessed safety lines and or edge protection. These safety measures are not practical during a presale inspection, therefore, this report is restricted to a "top-of-ladder" inspection. This report is not a guarantee that defects and/or damage do not exist in any part of the property not specifically seen and described by the inspector. This report is not a warranty against problems that may develop in the future.

### CEILING CAVITY INSPECTION

Work Health and Safety requirements determine that an inspector entering a ceiling cavity or similar space must have direct access to properly constructed walkways (sometimes referred to as catwalks) to eliminate the possibility of falling through the ceiling lining to the floor below, a fall that could result in serious injury. Generally, walkways are limited in a ceiling cavity so invariably sections of the roof structure will be inspected from a distance with the inherent limitations associated with limited access and often an impaired line-of-sight. Safety requirements prevent the inspector from traversing a ceiling cavity where safety elements are not available. This report is not a guarantee that defects and/or damage do not exist in inaccessible areas.

### WORK HEALTH & SAFETY ACT 2011

A non-residential building and the common property of some group residential buildings will fall within the definition of a workplace for the purposes of the Work Health and Safety Act 2011. The owners of workplaces must ensure that:

- Premises are safe and without risk
- Plant and substances are used without risk
- Workers are trained in WHS, are aware of their obligations and do, in fact, act in a safe manner

A pre-purchase building inspection may identify some safety issues in the common area but it is not an audit conducted for that specific purpose. It is essential that every Owners' Corporation or Company consult an appropriately qualified specialist to ensure it meets its legislative obligations.

### SAFE WORKING TEMPERATURES FOR THE INSPECTOR

When the temperature of a workspace (for example a ceiling cavity) exceeds the level considered to be safe according to WHS guidelines, the inspector will complete a risk assessment and the inspection will be limited accordingly. In the event that the inspector determines that the temperature exceeds safe working limits, generally, the inspection will be limited to the area immediately adjacent to the access for inspection.

## PROPERTY REPORT

This report does not and cannot make comment upon: defects which may have been concealed; the assessment or detection of defects (including rising damp or leaks) which may be subject to the prevailing weather conditions; whether or not services have been used for some time prior to the inspection and whether this will affect the detection of leaks or other defects; the presence or absence of timber pests; gas fittings; environmental concerns; the proximity of the property to flight paths, railways, or busy traffic; noise levels; health and safety issues; heritage concerns; security concerns, fire protection; site drainage (apart from surface water drainage). The operation of swimming pools and spas; detection and identification of unapproved building work; detection and identification of illegal or inadequate plumbing or electrical work; durability of exposed finishes; neighbourhood problems; document analysis; any matters solely regulated by statute; any area or item that could not be inspected by the inspector. Unless otherwise specified, no examination has been made of any documentation of any type. We have not referred to statutory authority records nor have we examined any survey or water and sewerage service diagram, or any other document prepared by any statutory authority or other party. Stock images in the report are for presentation purposes only and are not images of the subject property.

**PURPOSE OF THE REPORT** - The purpose of this report is to identify major defects in the building, decks, pergolas, garages and other similar significant improvements insofar as a property inspector can reasonably identify those defects. Structures, not limited to but including, garden sheds, play equipment, garden trellis, swimming pools and spas are not inspected or included in this report. A Special Purpose Report may be commissioned for these types of improvements. This report contains numerous observations but is not intended to list every defect. Defects are common to all structures and generally are commensurate with the age of the construction and use. Ongoing maintenance, upgrading or replacement requirements, cosmetic works and minor defects or faults are subjective and have not been included.

**CONCEALED SURFACES** - The inspection did not include breaking apart, dismantling, removing or moving objects, including but not limited to foliage, mouldings, roof insulation or sisalation, floor or wall coverings, sidings, ceilings, floors, furnishings, equipment, appliances, or personal possessions. The inspector cannot see inside walls, between floors, inside skillion roofing, behind stored goods or any other areas that are concealed or obstructed. The inspector did not dig, gouge, force or perform any other invasive procedures. Visible timbers have not been destructively probed or hit. In an occupied property, furnishings or household items may be concealing defects. Some defects may only be visible once furniture and other items have been removed from a property or when alterations are carried out. Built-in cupboards are usually filled with personal items and clothing. Some exterior surfaces may be obscured due to overgrown vegetation. Therefore, we cannot comment on the condition of the surfaces obscured or concealed by these or other items.

**WATER PENETRATION & ROOF DRAINAGE** - Some water penetration problems and/or dampness within a building do not become apparent and may not be detected unless there has been recent heavy rain or prolonged periods of rain. If moisture has been identified by the inspector using electronic testing equipment, then it will be noted in the report. Roof drainage is not tested. Therefore, no guarantee is given or implied that the roof will remain weatherproof in all weather conditions. If there is reference in the report to water stains within the interior of the property this may be evidence that the roof and or drainage system has previously leaked. We recommend that you contact a suitably qualified roofing expert to discuss the probability of ongoing water leakages in the building. Particularly with respect to older properties and where the roof has a low pitch, engaging the services of qualified roof plumber to provide an expert opinion should be considered. The very best roof drainage systems can fail in extreme weather conditions sometimes impacted by conditions not related to the property under review. (Blocked or impaired stormwater drains for example).

**FIRE PROTECTION EQUIPMENT & ORDINANCE REQUIREMENTS** - These are not covered by this report and these matters should be checked with the statutory authority. Any fire protection equipment has not been tested, e.g. smoke detectors etc.

**HAZARDOUS MATERIALS & CONTAMINATION** - Our inspection and report does not cover any hazardous materials or prior use of the land and building or any chemicals applied to land and buildings, which may have caused contamination.

**RETAINING WALLS & STRUCTURAL COLUMNS** - We are not engineers. Comment in respect of large and/or structural retaining walls and columns are beyond the scope of this report. It is not possible to determine from a visual inspection whether a retaining wall or column has been built in accordance with sound engineering principles and, even if it has, whether it is or will remain sound. An engineer should be consulted in any case where there are large, or structural, retaining walls, columns or similar building elements.

**INTERNAL WALLS & CEILINGS** - Movement cracking in ceiling and wall linings are common to most structures particularly older developments. Mostly they are cosmetic and generally have no structural implications. Repairation is usually undertaken during routine maintenance. Undulations in ceiling linings are often associated with older structures and are a result of the deterioration of the adhesive used to fix plasterboard to the ceiling battens. Typically, this is a cosmetic defect, however, in some circumstances the plasterboard may require refixing to the battens.

**CRACKING/SETTLEMENT/MOVEMENT & STRUCTURAL INTEGRITY** - Where reference has been made in this report to cracking, settlement, movement or an opinion has been provided on structural integrity, it is important to note that we are not experts in this area and our advice is limited accordingly. If considered necessary, further advice should be obtained from a Structural Engineer before critical decisions are made. Any cracking reported should be monitored for further movement. If further movement is noted, a Structural Engineer should be consulted at the earliest opportunity. Cracking of masonry walls is very common in the ACT, particularly where there are volatile clay soils. There may be some superficial or hairline cracks that we consider have no structural implications which have not been identified.

**ELECTRICAL, GAS & OTHER SERVICE INSTALLATIONS** - We are not licensed electricians, gas fitters or mechanical engineers. This report does not cover any matters relating to electrical and gas installations or any apparatus operated by electronic, mechanical or hydraulic means. This report does not cover any matters relating to the operation of electrical or gas appliances. Any comments made in this regard are from a general observation only. You should satisfy yourself as to the operation and condition of any appliances or other installations. Any comments made in this regard are from general observation only. There has been no electrical, data, security or fire detection system testing or investigation.

**PLUMBING & DRAINAGE** - We are not licensed plumbers and a specialist inspection of the water service, plumbing and drainage system including roof drainage is excluded from this report. We recommend an inspection by a licensed plumber and drainer to identify any plumbing faults or drainage problems.

**TIMBER PESTS** - If this report does not include one, we strongly recommend that an independent inspection and report be obtained from an accredited Pest Inspector to determine whether the property is free from infestation (whether active or dormant).

**BOUNDARIES** - Unless otherwise stated, the inspector has not gained access to any neighbouring properties and is therefore unable to comment upon the external state of any boundary fences and walls. The common areas of unit developments are not inspected. Any comments made in relation to common areas are strictly observational.

**RURAL PROPERTY INSPECTION** - This inspection and report relates to the residential structure; rural improvements on the property are not inspected or reported on, any comments contained in this report relative to rural improvements are strictly observational.

**AREAS AND DIMENSIONS** - Whilst every care has been taken to accurately quantify dimensions referenced in this report, we accept no responsibility for inaccuracies as supplying this information exceeds the requirements of a standard building inspection as per Australian Standard 4349.1-2007. In many instances scale plans are not available and therefore the reader should not rely on this report when making critical decisions relating to dimensions.

**ELEVATED STRUCTURES** - Where reference has been made in this report to an elevated structure such as a deck balcony or veranda, it is important to note that we are not Structural Engineers and accordingly our advice is limited. Any opinion relating to structural integrity is relative to weight loadings typical of a normal household event. Prior to loading the structure beyond normal, which may occur at a larger gathering, we recommend that professional advice be obtained to determine that the structure will safely cope with the weight loading. Additionally, the structure should be regularly inspected to ensure that structural integrity is maintained.

**SPECIAL PURPOSE REPORTS** - This Property Report does not contain any assessment or opinion in relation to any item which is the subject of a Special Purpose Property Report, or any matter where the inspection or assessment of which is solely regulated by Statute. Special Purpose Property Reports include comment on the following: common property areas, environmental concerns such as sunlight, privacy, streetscape and views, proximity of property to flight paths, railways and busy traffic or other neighbourhood issues; noise levels; WHS issues including, but not limited to the presence of asbestos, lead or other hazardous materials; heritage concerns; security or fire protection systems; climate control or water heating systems; analysis of site drainage apart from surface water drainage; swimming pools and spas; detection and identification of illegal and unauthorised plumbing work; durability of exposed finishes.

## COMPLIANCE REPORT

The information within this report relies on the plans, survey reports, certificates of occupancy and other relevant documents supplied by the Environment & Planning Directorate (EPD), the appropriate local council or Directorate, the client or their agent. Our company or its employees are not responsible for any omissions or errors where incomplete, inaccurate or illegible information is supplied. It is the responsibility of the property owner to resolve any file discrepancies with the relevant authority. Documentation of any plumbing or electrical alterations is not included in the building file. If required, this documentation can be obtained by the title holder from the relevant utilities provider. If the subject property features a second driveway or verge crossing, Transport Canberra & City Services approval may be required. This information is not supplied in the building conveyancing file. If this report confirms that certification is 'pending' for an unapproved structure, it is important that you are aware that this process can take weeks and involve more than one agency including but not limited to the Environment & Planning Directorate, Icon & Transport Canberra & City Services. Whilst it is rare, in some instances throughout the approvals process an application may be rejected. The Compliance Report relies on documentation provided in the Building File. Residential Reports Inspectors are not Building Surveyors. Certifications included in the file are not cross referenced with the Building Code of Australia (BCA) applicable at the time of construction to confirm that the improvements are compliant with the BCA. This is the responsibility of the Building Surveyor prior to issuing a Certificate of Occupancy. No attempt is made in this inspection and reporting process to confirm that the existing improvements on the subject property are in strict accordance with approved plans. There may be variations in design, features and dimensions that conflict with each other. Additionally, there is no guarantee given that improvements are in accordance with the current Building Code of Australia. In most circumstances, there is no requirement to upgrade specifications to the current Building Code.

**SWIMMING POOLS & SPAS** - The ACT Government has introduced reforms to home swimming pool safety, with a focus on swimming pool safety barriers. The reforms commence on 1 May 2024, with a four-year transition period. The scheme imposes requirements for information about the safety standard of a regulated swimming pool to be disclosed on the sale of a property. Owners must provide prescribed information including: exemption certificate, compliance certificate, swimming pool disclosure statement, certificate of occupancy for the pool and safety barriers that is not older than 5 years and 'Pool Owners Guidance Material' which outlines the obligations on owners of premises on which a regulated swimming pool is located. If this information is not provided in this report, you must request a copy. For more information on the reforms visit the ACT Government's Planning website.

## TIMBER PEST REPORT

This report is the result of a VISUAL INSPECTION ONLY. Inspection of the property and this report has been completed with reference to AUSTRALIAN STANDARD AS 4349.3 - 2010 Inspection of buildings Part 3: Timber Pest Inspections. In all instances throughout this report the inspector is referring to accessible areas only. Areas that were not accessible at the time of inspection or were concealed from view are not covered by this report. The inspector does not imply that inaccessible or partly inaccessible areas of the property were not, or have not been, infested by Timber Pests. This Report is not a guarantee that an infestation or future infestation and/or damage does not exist in any inaccessible or partly inaccessible areas of the property. This inspection DID NOT include breaking, removing or moving objects, floor and wall coverings, roof insulation, foliage, furniture, appliances stored goods and personal possessions - these all limit the scope of inspection. The inspector does not have access to the inside of walls, between flooring, inside eaves and skillion roofing. This Report is confined to reporting infestation and/or damage caused by white ants (subterranean and damp wood termites), borers of seasoned timber and timber pests (wood decay fungi), present on the date of the Inspection. The Inspection did not cover any other pests and this Report does not comment on them. Dry wood termites and European House Borer (*Hylotrupes bujulus* Linnaeus) are excluded from the inspection due to the extreme difficulty in locating the small colonies. Some species of termite and house borers, if discovered, will be reported (by law) to Government Authorities.

**TERMITE RECOMMENDATIONS** - Where evidence of termite activity or workings was found in any structure then the risk to buildings is very high and the risk of further attack is also high. A treatment to eradicate the termites and to protect the building(s) should be carried out. If live termites or any evidence of termite workings or damage was reported within the building(s) or in the ground and fences then it must be assumed that there may be concealed termite activity and/or timber damage. This concealed activity or damage may only be found when alterations are carried out such as when wall linings, cladding or insulation are removed or if you arrange for an invasive inspection. We claim no expertise in engineering or building. We strongly recommend that you have a qualified person such as a Builder, Engineer, Architect or other qualified expert in the building trade determine the full extent of the damage, if any. This may require an invasive inspection. We take no responsibility for the repair of any damage whether disclosed by this report or not.



Where visual evidence of termite workings and/or damage is reported but no live termites were present at the time of inspection, you must realise that it is possible that termites are still active in the immediate vicinity and the termites may continue to cause further damage. It is not possible, without benefit of further investigation and a number of inspections over a period of time, to ascertain whether any infestation is active or inactive. Active termites may simply have not been present at the time of inspection due to a prior disturbance, climatic conditions, or they may have been utilising an alternative feeding source. Continued, regular, inspections are essential. Unless written evidence of a termite protection program in accord with "Australian Standard 3660" with ongoing inspections is provided, you must arrange for a treatment in accord with the standard to be carried out immediately to reduce the risk of further attack.

Where the evidence of live termite or termite damage or termite workings (mudding) was found in the building (s) then the risk of a further attack is very high. Where evidence of live termites or termite damage or termite workings was found in the grounds but not in the buildings then the risk to buildings is very high.

If evidence of drill holes in concrete or brickwork or other signs of a possible previous treatment is reported then the treatment was most likely carried out because of an active termite attack. Extensive structural damage may exist in concealed areas. You should have an invasive inspection carried out and have a builder determine the full extent of any damage and the estimated cost of repairs as the damage may only be found when wall linings etc are removed. Normally if a termite treatment has been carried out then a durable notice should be located in the meter box indicating the type of termite shield system, treated zone or combination has been installed.

**BORER RECOMMENDATIONS** - Borer activity is usually determined by the presence of exit holes and/or frass. Since a delay exists between the time of initial infestation and the appearance of these signs, it is possible that some borer activity may exist that is not discernible at the time of inspection. If borers are identified replacement of all susceptible timbers is always preferred since, in the event of selling the property in the future it is probable that an inspector will report the borers as active. A chemical treatment to control and/or protect against Furniture beetle and/or Queensland pine beetle can be considered as a less effective, lower cost option. Before considering this option You should consult with a builder to determine if the timbers are structurally sound. Following the initial treatment, a further inspection is essential in twelve months' time to determine if further treatment is needed. Treatments over a number of consecutive years may be required. The *Lyctus brunneus* (powder post beetle) is not considered a significant pest of timber. Damage is confined to the sapwood so treatment or timber replacement is not usually required. However, you should have a building expert investigate if any timber replacement is required. *Anobium punctatum* (furniture beetle) and *Calymnaderus incisus* (Queensland pine beetle) must always be considered active, unless proof of treatment is provided, because, unless the timber is ground up, one cannot determine conclusively if activity has ceased. Total timber replacement of all susceptible timbers is recommended. A secondary choice is treatment. However, the evidence and damage will remain, and the treatment may need to be carried out each year for up to three years.

**HIGH MOISTURE READINGS, DRAINAGE & VENTILATION** - High moisture readings can be caused by any one of the following: poor ventilation, ineffective drainage, leaking pipes, leaking roofs, defective flashing or by concealed termite activity. The areas of high moisture should be investigated by way of an invasive inspection. High moisture levels also increase the likelihood of termite attack and may also be conducive to borer activity and wood decay. If high moisture was reported then you must have a building expert investigate the moisture and its cause and determine the full extent of damage and the estimated cost of repairs.

If drainage is considered inadequate, a plumber or other building expert should be consulted, and remedial measures should be taken. Ventilation of the sub-floor region is important in minimising the opportunity for subterranean termites to establish themselves. Consideration should be given to installing high air flow vents and/or improve the cross flow of air within the subfloor to produce ventilation equivalent to 8400 sq mm net ventilation area per lineal metre on external and internal walls.

**INFILL AND CONCRETE SLABS** - Any building or part of a building that is constructed on a concrete slab is always more susceptible to termite attack because of possible concealed termite entry. A very high proportion of termite attacks are over the edge of both infill and other concrete slab types. If the edge of the slab is concealed by concrete paths, patios, pavers, garden beds, lawns, foliage, etc then it is possible for termites to conceal their entry into the property. Termites can then cause extensive damage to concealed framing timbers. Even the most experienced inspector may be unable to detect their presence due to concealment by wall linings. Only when the termites attack timbers in the roof void, which may in turn be concealed by insulation, can their presence be detected. Infill slab type construction has an even higher risk of concealed termite ingress as the slab edge is concealed due to the construction design and is not exposed. The type of slab may only be determined by assessment of the construction plans by a qualified person such as a Builder, Certifier or Architect. Construction Plans may be obtainable by your conveyancer. Termite activity and or damage may be present in concealed timbers of the building. We strongly recommend frequent regular inspections

in accordance with AS 3660.2. Where the slab edge is not fully exposed, or the slab is an infill slab or the slab type cannot be determined then we strongly recommend inspections every 3 to 6 months in accordance with AS 3660.2. Infill slab: A slab on the ground cast between walls. Other slabs should be in accordance with AS 2870 - 1996 and AS 3660.1-2000.

**TIMBER (FUNGAL) DECAY** - We claim no expertise in building and if any evidence of fungal decay or damage is reported you should consult a building expert to determine the full extent of damage and the estimated cost of repairs or timber replacement.

**DETERMINING EXTENT OF DAMAGE** - This Report is NOT a structural damage report. You agree that we are not responsible or liable for the repair of any damage, whether disclosed by our report or not. Our inspectors are not necessarily specialised builders and any inexperienced opinion provided with respect to timber damage cannot be relied upon. The Report will not state the full extent of any timber pest damage; rather, we may provide comment on the damage for your information. If evidence of Timber Pest activity and/or damage is reported in the structure(s) or the grounds of the property, then you must assume that there may be further concealed structural damage within the building(s). This concealed damage may only be found when invasive procedures are applied to reveal previously concealed timbers. In the case of Timber Pest activity and/or damage WE STRONGLY RECOMMEND an invasive Timber Pest Inspection is undertaken and a qualified person such as a Builder, Structural Engineer, or Architect be engaged to carry out a structural inspection to determine the full extent of the damage and repairs that may be required.

**MOULD** - Mould (also referred to as Mildew and non-wood decay fungi) is not considered a Timber Pest. This report does not extensively cover the inspection of Mould. If evidence of mould was observed during the inspection, it may be noted for your information. If you are concerned as to the possible health risk resulting from the presence of mould, then you should seek advice from your local State or Commonwealth Government Health Department expert.

## IMPORTANT INFORMATION

This Report reflects the condition of the property existing at the time of the inspection date and may not reflect the current state. Timber Pests, particularly termites, may have gained entry to the property since the inspection date. Termites can, in a relatively short period, cause significant damage to both structural and non-structural timbers within and around the buildings of the property. Termites are difficult to detect and much of the damage caused may not be readily visible, if damage exists, it may be costly to repair. If the Report indicated the presence of termites, termite damage, previous activity or treatments, or recommends a treatment, you should obtain copies of the treatment proposal, any certificates of treatments carried out, details of all repairs including copies of quotations, invoices and any other reports. It is strongly recommended that you arrange for an inspection in accordance with AS 4349.3 to verify that the treatment has been successful and carried out in accordance with AS 3660.2 and arrange for a further building inspection in accordance with AS 4349.1. The person carrying out the inspection and this company will have no liability to you for any damage or loss you may suffer as a result of your entering the contract to purchase the property or in connection with completing the purchase of the property as a result of your failure to heed the advice given in this report and may use such failure in defence of any claim that you may later make against any of them.

Where a property is furnished at the time of inspection, you will appreciate that the furnishings, floor coverings and stored goods may be concealing any evidence of Timber Pest Activity which may only be revealed when the items are moved. Where fences are obscured by foliage, overgrowth or structures, evidence of timber pest activity or damage may be concealed. Poor subfloor drainage increases the likelihood of termite attack. If the risk factor stated in this report is high, this is the opinion of the inspector and should encourage awareness that increased vigilance is warranted and that recommendations for the reduction of unfavourable conditions that increase the chances of termite activity must be strictly observed. It is strongly recommended that a comprehensive timber pest inspection by a qualified timber pest inspector is undertaken every 6-12 months (or more frequently if specified in the report). Regular inspections DO NOT prevent timber pest attack. Regular inspections increase the chance of the early detection of timber pest activity thereby limiting the structural damage that may occur. The overall degree of risk of Timber Pest Infestation cited in this report is a subjective assessment by the inspector at the time of the inspection, taking into account many factors which include, but are not limited to, location and proximity to bushland and trees and/or other timber structures, evidence of timber pest damage or activity close to the inspected structure or within the inspected structure, conducive conditions that raise the potential of timber pest attack, such as timbers in contact with soil, inaccessible areas, slab on ground construction, or other factors that, in the inspector's opinion, raise the risk of future timber pest attack.

A more thorough INVASIVE INSPECTION is available. Where any current visible evidence of Timber Pest activity is found it is strongly recommended that a more invasive inspection is performed. Trees and stumps on the property with a diameter in excess of 100mm have been visually inspected for evidence of termite activity to a height of 2m where access was possible and practical. It is very difficult, and generally impossible to locate termite nests since they are underground and evidence in trees is usually well concealed. We therefore strongly recommend that you arrange to have trees test drilled for evidence of termite nests.

## RESOURCE LIBRARY

Where reference is made to the Residential Reports Resource library, [you may access this content by clicking here.](#)

## QUICK FACTS

- Sellers of residential properties are required to provide an Energy Efficiency Rating (EER) to potential buyers. (This is known as mandatory energy efficiency disclosure.)
- The EER forms part of the Sale Contract and must be published in all advertising material.
- The EER rating system uses computer simulations to assess the potential thermal comfort of your home.
- The more stars, the less likely the occupants need cooling or heating to stay comfortable.
- The ACT Government has two systems in place for Energy Ratings:

One is for established homes  
(1st Generation Software)

One is for new homes  
(2nd Generation Software)

**Residential Reports (and all other companies preparing reports for the sale of a property on an existing Canberra home that has been previously occupied) are required to use 1st Generation Software.**

- The consumption of energy in the home for heating, cooling, hot water or lighting and other appliances IS NOT considered in the application of 1st generation software when calculating the EER rating.
- Many aspects of solar passive designs are also not able to be accounted for in 1st Generation Software.

## WHAT IS RATED?

The rating is dependent on:

- Layout of the home
- Construction of its roof, walls, windows and floor
- Wall, floor and ceiling insulations
- Orientation of windows and shading of the sun's path and local breezes
- Influence of the local climate

## WHY IS THERE A DISCREPANCY BETWEEN MY OLD EER AND MY NEW EER?

- Increasingly, in a number of circumstances particularly where new homes have been rated using 2nd generation software and are now being offered for sale where the rating must be conducted using 1st generation software, there can be a significant variation between the two ratings:

1st generation software rates to 6 stars

2nd generation software may rate up to 10 stars

- ACT Legislation currently PROHIBITS Inspectors from assuming insulation values which may have been the case previously. Documented proof or visual sighting is now required to verify the existence and rating of insulation.


Your Energy Rating is calculated using software approved by the ACT Government.

## Certificate of Currency

---

<b>Policy Number</b>	BP20200022
<b>Item 1 The Insured:</b>	Residential Reports Pty Ltd
<b>Item 2 Address:</b>	35 Poynton Street HUGHES ACT 2805
<b>Item 3 Professional Services covered by this policy:</b>	Pre Purchase Building Inspections (AS4349.1) Special Purpose Building Inspections Energy Rating Reports Urban Pest Management Termite Management including inspections - existing buildings and structures (AS3880.2) Timber Pest Inspections (AS4349.3)
<b>Item 4 Description of the Policy:</b>	Professional Indemnity & Broadform Liability (CGU PIB 03-17)
<b>Item 5 Period of Insurance:</b>	From 20/07/2025 To 4.00 pm on 20/07/2026
<b>Item 6 Particulars of Risk:</b>	
	<b><u>Civil Liability Professional Indemnity</u></b>
6.1 The Policy Limit is	\$5,000,000 which includes all policy sections
6.2 The Policy Excess is	\$20,000
6.3 The Retroactive Date is	20/07/2020
	<b><u>Public Liability</u></b>
6.4 Sum Insured	\$20,000,000
6.5 Excess	\$2,500
<b>Date and Place of Issue</b>	21/07/2025 Melbourne, Victoria

Signed for and on behalf of Insurance Australia Limited ABN 11 000 016 722



Najibi Blisso, Manager

This Certificate of Currency indicates policy cover effective as at the date of issue only

# FirstRate Report



**YOUR HOUSE ENERGY RATING IS:** ★★☆☆☆ **5.5 STARS**  
**in Climate: 24**

**SCORE: 15 POINTS**

**Name:** Michael & Meredith Damo

**Ref No:** 46575

**House Title:** Block 2, Section 32

**Date:** 14-04-2026

**Address:** 38 Gledden Street

Chifley

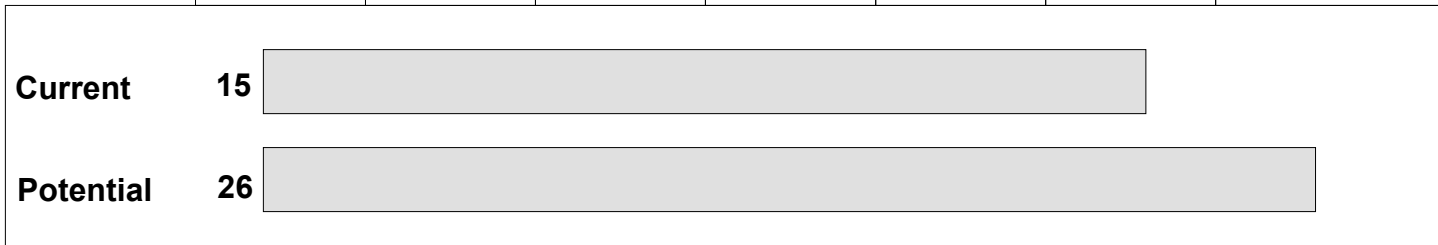
2606

**Reference:** C:\REPORTS\...\GLEDDED STREET CHIFLEY 38

# IMPROVING YOUR RATING

The table below shows the current rating of your house and its potential for improvement.

Star Rating	POOR			AVERAGE				GOOD			V. GOOD	
	0 Star	★	★★	★★★	★★★★	★★★★★	★★★★★★	★★★★★★★	★★★★★★★★	★★★★★★★★★		
Point Score	-71	-70	-46	-45	-26	-25	-11	-10	4	5	16	17



Incorporating these design options will add the additional points required to achieve the potential rating shown in the table Each point represents about a 1% change in energy efficiency. This list is only a guide to the range of options that could be used.

## Design options

## Additional points

Change curtain to Heavy Drapes & Pelmets	8
Add northerly blinds 100 %	2

FirstRate Mode
Climate: 24

**RATING SUMMARY for:      Block 2, Section 32, 38 Gledden Street, Chifley**

Assessor's Name:    Lindsay Collison

			Points		
Feature	Winter	Summer	Total		
<b>CEILING</b>	<b>12</b>	<b>0</b>	<b>12</b>		
Surface Area:      4	Insulation:      9				
<b>WALL</b>	<b>4</b>	<b>-1</b>	<b>3</b>		
Surface Area:      -2	Insulation:      7		Mass:      -2		
<b>FLOOR</b>	<b>9</b>	<b>1</b>	<b>10</b>		
Surface Area:      2	Insulation:      -3		Mass:      10		
<b>AIR LEAKAGE (Percentage of score shown for each element)</b>	<b>6</b>	<b>0</b>	<b>5</b>		
Fire Place      0 %	Vented Skylights      0 %				
Fixed Vents      0 %	Windows      41 %				
Exhaust Fans      17 %	Doors      26 %				
Down Lights      0 %	Gaps (around frames)      16 %				
<b>DESIGN FEATURES</b>	<b>0</b>	<b>1</b>	<b>1</b>		
Cross Ventilation      1					
<b>ROOF GLAZING</b>	<b>0</b>	<b>0</b>	<b>0</b>		
Winter Gain      0	Winter Loss      0				

<b>WINDOWS</b>							<b>-2</b>	<b>-11</b>	<b>-12</b>
Window Direction	Area		Point Scores				Total		
	m2	%NCFA	Winter* Loss	Winter Gain	Summer Gain				
<b>NE</b>	14	6%	-6	10	-2	2			
<b>SE</b>	18	7%	-9	4	-2	-7			
<b>SW</b>	12	5%	-6	2	-2	-6			
<b>NW</b>	16	7%	-8	10	-5	-2			
<b>Total</b>	61	24%	-29	27	-11	-12			

\* Air movement over glazing can significantly increase winter heat losses. SEAV recommends heating/cooling duct outlets be positioned to avoid air movement across glass or use deflectors to direct air away from glass.

The contribution of heavyweight materials to the window score is 1 point

			Winter	Summer	Total
<b>RATING</b>	★ ★ ★ ★ ★ ☆		<b>29</b>	<b>-10</b>	<b>15*</b>

\* includes -4 points from Area Adjustment

# Detailed House Data

## House Details

ClientName Michael & Meredith Damo  
HouseTitle Block 2, Section 32  
StreetAddress 38 Gledden Street  
Suburb Chifley  
Postcode 2606  
AssessorName Lindsay Collison  
FileCreated 14-04-2026  
Comments

## Climate Details

State  
Town Canberra  
Postcode 2600  
Zone 24

## Floor Details

<u>ID</u>	<u>Construction</u>	<u>Sub Floor</u>	<u>Upper</u>	<u>Shared</u>	<u>Foil</u>	<u>Carpet</u>	<u>Ins RValue</u>	<u>Area</u>
1	Concrete Slab on ground	No Subfloor	No	No	No	Float Timb	R0.0	108.8m <sup>2</sup>
2	Concrete Slab on ground	No Subfloor	No	No	No	Carp	R0.0	41.8m <sup>2</sup>
3	Concrete Slab on ground	No Subfloor	No	No	No	Tiles	R0.0	10.6m <sup>2</sup>
4	Timber	NA	Yes	No	No	Carp	R0.0	97.8m <sup>2</sup>
5	Timber	NA	Yes	No	No	Tiles	R0.0	9.0m <sup>2</sup>

## Wall Details

<u>ID</u>	<u>Construction</u>	<u>Shared</u>	<u>Ins RValue</u>	<u>Length</u>	<u>Height</u>
1	Brick Veneer	No	R2.5	51.1m	2.5m
2	Weatherboard	No	R3.0	8.3m	2.5m
3	Framed: FC Sheet Clad	No	R2.5	42.9m	2.4m
4	Framed: FC Sheet Clad	No	R2.5	2.0m	1.8m

## Ceiling Details

<u>ID</u>	<u>Construction</u>	<u>Shared</u>	<u>Foil</u>	<u>Ins RValue</u>	<u>Area</u>
1	Attic - Standard	No	Yes	R5.3	161.2m <sup>2</sup>

## Window Details

<u>ID</u>	<u>Dir</u>	<u>Height</u>	<u>Width</u>	<u>Utility</u>	<u>Glass</u>	<u>Frame</u>	<u>Curtain</u>	<u>Blind</u>	<u>Fixed &amp; Adj Eave</u>	<u>Fixed Eave</u>	<u>Head to Eave</u>
1	NW	2.3m	0.9m	No	DG2	TIMB	HB	No	1.9m	1.9m	0.2m
2	NW	2.1m	1.1m	No	DG2	ALIMPR	HB	No	0.3m	0.3m	0.3m
3	NW	2.1m	0.7m	No	DG2	ALIMPR	HB	No	0.0m	0.0m	0.0m
4	SW	0.3m	1.8m	No	DG2	ALIMPR	NC	No	0.0m	0.0m	0.0m
5	SW	1.2m	1.6m	No	DG2	ALIMPR	HB	No	0.0m	0.0m	0.0m
6	SW	1.2m	1.6m	No	DG2	ALIMPR	HB	No	0.6m	0.6m	0.1m
7	SE	2.4m	3.0m	No	DG2	ALIMPR	HD	No	4.9m	4.9m	0.0m
8	SW	2.4m	3.0m	No	DG2	ALIMPR	OW	No	4.6m	4.6m	0.0m
9	SE	2.1m	3.6m	No	DG2	ALIMPR	HB	No	0.6m	0.6m	0.1m
10	NE	2.1m	0.9m	No	DG2	ALIMPR	HB	No	0.6m	0.6m	0.1m
11	NE	2.1m	2.6m	No	DG2	ALIMPR	HB	No	0.6m	0.6m	0.1m
12	NE	2.0m	0.8m	Yes	SG	TIMB	NC	No	0.6m	0.6m	0.3m
13	NW	1.0m	2.0m	No	DG2	ALIMPR	HB	No	0.2m	0.2m	0.0m
14	NE	2.1m	0.7m	No	SGE	ALIMPR	HD	No	0.0m	0.0m	0.0m
15	NW	2.1m	0.5m	No	SGE	ALIMPR	HD	No	0.4m	0.4m	0.4m
16	NW	2.1m	2.6m	No	DG2	ALIMPR	HD	No	0.4m	0.4m	0.4m
17	NW	2.1m	0.9m	No	DG2	ALIMPR	HB	No	0.4m	0.4m	0.4m
18	SW	0.3m	2.4m	No	DG2	ALIMPR	NC	No	0.0m	0.0m	0.0m
19	SE	1.2m	1.4m	No	DG2	ALIMPR	HB	No	0.0m	0.0m	0.0m
20	SE	0.6m	1.6m	No	DG2	ALIMPR	NC	No	0.0m	0.0m	0.0m



## Rater Comments

### House Details

ClientName	Michael & Meredith Damo
HouseTitle	Block 2, Section 32
StreetAddress	38 Gledden Street
Suburb	Chifley
Postcode	2606
AssessorName	Lindsay Collison
FileCreated	14-04-2026

### Rater Comments

#### MEASUREMENTS USED IN THIS ASSESSMENT

The Energy Rating recorded in this assessment is determined by assessing many elements of the structure and interior treatments including window and floor coverings. The area of external walls and windows, ceiling and floors are part of the assessment.

Some measurements used in this assessment may be nominal. Every effort is made by the assessor to accurately calculate the dimensions of property. However, often accurate and comprehensive plans indicating all dimensions of an existing property, particularly following alterations and extensions are not always available. The reader of this report should not rely on the accuracy of any dimensions used when making critical decisions relating to those dimensions. The assessor will not accept any liability should any discrepancy be revealed.

#### DESIGN OPTIONS

The design option suggestions to improve this energy rating may be additional to elements already in place. For example, the option to install 'Heavy Drapes and Pelmet' will take into account windows that already have Heavy Drapes and Pelmet installed. Insulation recommendations will take into account existing insulation values.

Some recommendations for improvement will not be practical in all circumstances. For example, if the dwelling is built on a concrete slab, it will be possible to install floor insulation.

#### DOOR SEALS AND WEATHER STRIPS

A wooden framed door is only considered to be sealed when a draft extruding device is fitted to the bottom of the door AND sealing tape or felt is fitting to the timber frame around the door opening.

#### WINDOW GLAZING RATIOS

Glazing areas in one direction greater than 25% of the nett conditioned floor area will reduce the Energy Efficiency Rating.



## CONVEYANCING PART 2

No information is provided in respect of electrical, drainage or sewer matters and or to the location of overhead power lines or underground cables in relation to the building.

	<u>Yes</u>	<u>No</u>
1. (a) Is this a government or ex government house?	<input type="checkbox"/>	<input checked="" type="checkbox"/>
(b) If yes, is there a building file with approvals on it?	<input type="checkbox"/>	<input type="checkbox"/>
2. Is there any record of incomplete building work on the building file? If yes - file copies attached	<input type="checkbox"/>	<input checked="" type="checkbox"/>
3. Are there any records on the building file of current (within 5 years) housing Indemnity insurance policies for building work? If yes - file copies attached	<input type="checkbox"/>	<input checked="" type="checkbox"/>
4. Are there any records on the building file showing building applications still being processed? (Current within 3 years) If yes - file copies attached	<input type="checkbox"/>	<input checked="" type="checkbox"/>
5. Are there any records on the building file in relation to loose-fill asbestos insulation?	<input type="checkbox"/>	<input checked="" type="checkbox"/>

**If available, copies of the following documents are provided:**

• Certificate/s of Occupancy and Use	<input checked="" type="checkbox"/>	<input type="checkbox"/>
• Survey Certificates	<input checked="" type="checkbox"/>	<input type="checkbox"/>
• Unit Plan/Unit Entitlements (if property is unit titled)	<input type="checkbox"/>	<input checked="" type="checkbox"/>
• Approved Building Plans	<input checked="" type="checkbox"/>	<input type="checkbox"/>
• Ex- government Building Plans*	<input type="checkbox"/>	<input checked="" type="checkbox"/>

**If requested:**

• Drainage Plan(s)	<input checked="" type="checkbox"/>	<input type="checkbox"/>
--------------------	-------------------------------------	--------------------------

### ASBESTOS

The ACT Government is not able to guarantee the accuracy of the information in this report.

You should make your own enquiries and obtain reports (from a licensed Asbestos Assessor) in relation to the presence of loose fill asbestos insulation (and other forms of asbestos) on the premises. For more information go to the Asbestos Awareness Website –

[www.asbestos.act.gov.au](http://www.asbestos.act.gov.au)

**Please note:** Development Approval plans will not be included in this report (We do not receive Development Approval Plans unless they are part of a Building Approval in which case they become Building Approval Plans), if development approval was granted you can request copies of the Development Approval plans from [ACEPDcustomerservices@act.gov.au](mailto:ACEPDcustomerservices@act.gov.au).

**Please Note:** Building approvals that have been generated via eDevelopment will be issued with a project number prefixed by the letter B. Initial building approval documentation will be identified with project number B20XXXX only but will be referenced as B20XXXX/A on the Certificate of Occupancy and Use. Any amendments to the original approval will be issued with the project number and an alphanumeric digit. The first amendment will be identified as B20XXXX/B, the second amendment B20XXXX/C etc. Not all eDevelopment plans will be stamped with the plan number.

\*Ex Government plans: Plans are typical and not specific to each residence. There may be slight changes to the layout or window locations that were not required to be approved.

Search officer comments (if any?)

Search officer initials: Tony

Cost of application: \$ 144.79

Date completed:

10/04/2026

## IDENTIFICATION SURVEY REPORT

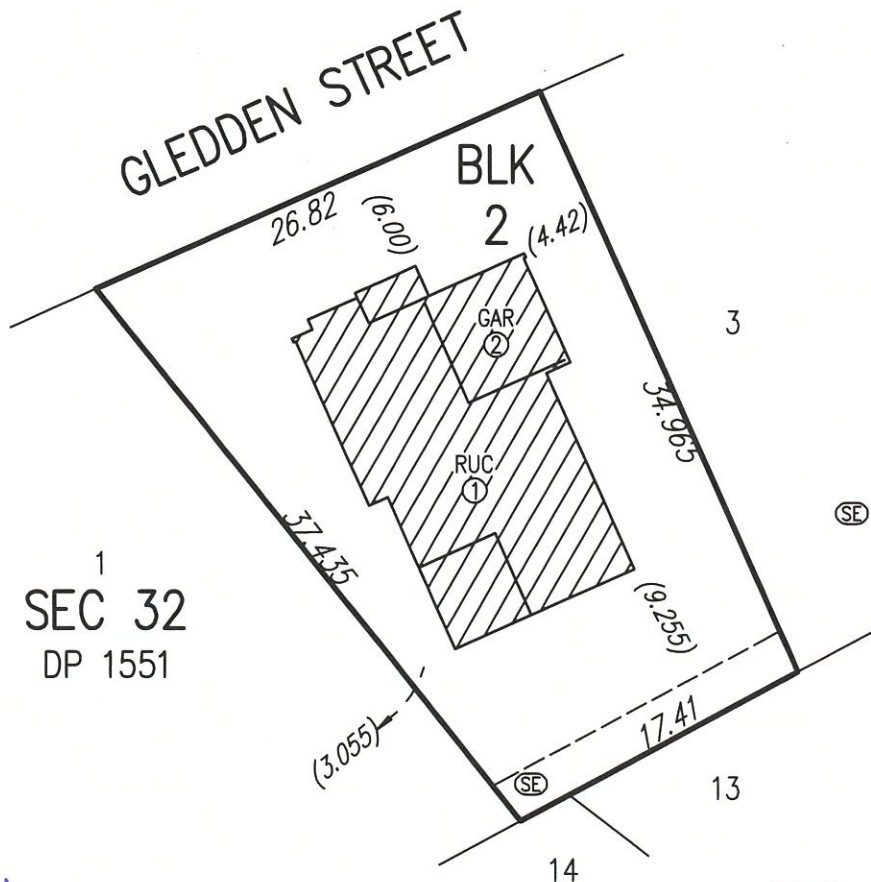
Attention: RAWSON HOMES

I have surveyed the land being BLOCK 2 SECTION 32, DIVISION of CHIFLEY, DISTRICT of WODEN VALLEY in the Australian Capital Territory, known as 38 Gledden Street and appearing in Deposited Plan 1551.

Erected thereon is a concrete foundation for a new residence under construction. The position of the new works in relation to the boundaries is as shown on the diagram.

Apparent easements affecting the subject land are as shown on the diagram.

This survey is for IDENTIFICATION purposes only.



- ① FFL 629.160
- ② FFL 629.085

(SE) DENOTES SEWERAGE & ELECTRIC SUPPLY EASEMENT 2.44 WIDE

1  
SEC 32  
DP 1551



Peter Papas  
Surveyor, Registered under the  
Surveyors Act 2007

**LEGEND:**

RUC DENOTES RESIDENCE UNDER CONSTRUCTION  
GAR DENOTES GARAGE UNDER CONSTRUCTION

**NOTES:**

- MEASUREMENTS ARE TO EDGE OF CONCRETE SLAB.
- LEVEL INFORMATION SHOWN ON THIS PLAN IS RELATED TO THE AUSTRALIAN HEIGHT DATUM.

CC:Surveyor-General of the A.C.T



# Certificate of Completion of Demolition

Certificate No.: **B20232422C1**

**Access Canberra Land, Planning and  
Building Services**

ABN 16 479 763 216  
8 Darling Street Mitchell  
GPO Box 158 ACT 2601  
[www.act.gov.au/accesscbr](http://www.act.gov.au/accesscbr)

This Certificate is issued in accordance with Section 71 (2) of the Building Act 2004.

The demolition of the building works listed on this certificate has been completed in accordance with the prescribed requirements.

Unit	Block	Section	Division (Suburb)	District	Jurisdiction
	2	32	CHIFLEY	WODEN VALLEY	Australian Capital Territory

## Plans

B20232422/A

## Building Works

Class of Occupancy	Nature of Work	Project Item Description	Other Description	Type Of Const.	Unit	BCN ID	Builder
1a(l)	Demolition	RESIDENCE		NA		B20232422N2	IRWIN HARTSHORN GROUP
1a(l)	Demolition	RESIDENCE		NA		B20232422N3	LUKA MARK PRATEZINA

## Comments

## Important Note:

The issue, under this Part, of a certificate in respect of a building or portion of a building does not affect the liability of a person to comply with the provisions of a law of the territory (including this Act) relating to the building or portion of the building.

**Issued by:** AthiraK Joy

**Issued on:** 28/08/2023

Delegate of the ACT Construction  
Occupations Registrar.



# Certificate of Occupancy and Use

Certificate No.: **B20232422C2**

**Access Canberra Land, Planning and Building Services**

ABN 16 479 763 216  
8 Darling Street Mitchell  
GPO Box 158 ACT 2601  
[www.act.gov.au/accesscbr](http://www.act.gov.au/accesscbr)

This Certificate is issued in accordance with Section 69 (2) of the Building Act 2004.

The building work listed on this certificate has been completed substantially in accordance with the prescribed requirements and is considered fit for occupation and use.

Unit	Block	Section	Division (Suburb)	District	Jurisdiction
	2	32	CHIFLEY	WODEN VALLEY	Australian Capital Territory

Plans
B20232422/A

## Building Works

Class of Occupancy	Nature of Work	Project Item Description	Other Description	Type Of Const.	Unit	BCN ID	Builder
1a(l)	New	DA EXEMPT-RESIDENCE		NA		B20232422N1	RAWSON HOMES PTY LTD
10a	New	DA EXEMPT-GARAGE	including porch and alfresco	NA		B20232422N1	RAWSON HOMES PTY LTD

## Comments

## Important Note:

The issue, under this Part, of a certificate in respect of a building or portion of a building does not affect the liability of a person to comply with the provisions of a law of the territory (including this Act) relating to the building or portion of the building.

**Issued by:** Anthony Morris

**Issued on:** 19/11/2024

Delegate of the ACT Construction Occupations Registrar.

THIS DRAWING IS SUBJECT TO COPYRIGHT LAWS AND MAY NOT BE COPIED WITHOUT THE WRITTEN PERMISSION OF RAWSON HOMES PTY LTD-ACN 053 733 841 ©

**NOTES:**

- \* ALL DIMENSIONS ARE IN MILLIMETERS
- \* DO NOT SCALE THE DRAWING - USE WRITTEN DIMENSIONS
- \* IT IS THE RESPONSIBILITY OF THE OWNER TO ENSURE THAT THE LAYOUT AND ALL SPECIAL INCLUSIONS ARE CORRECT
- \* RAWSON HOMES PTY. LIMITED WILL TAKE NO RESPONSIBILITY FOR ANY VERBAL DISCUSSIONS OR INSTRUCTIONS. ALL CHANGES AND SPECIAL INCLUSIONS MUST BE DOCUMENTED IN WRITING.
- \* THIS DRAWING IS SUBJECT TO COPYRIGHT LAWS AND MAY NOT BE COPIED WITHOUT THE WRITTEN PERMISSION OF RAWSON HOMES PTY. LIMITED - ACN 053 733 841

**SCHEDULE OF DRAWINGS:**

SHEET	CONTENTS
01	COVER SHEET
02	DEMOLITION PLAN
03	SITE PLAN/LMPP
04	GROUND FLOOR
05	FIRST FLOOR
06	ROOF PLAN
07	ELEVATIONS 1-2
08	ELEVATIONS 3-4
09	SECTIONS
10	WET AREA PLANS
11	SLAB PLAN
12	SEDIMENT & SITE ANALYSIS
13	SHADOW DIAGRAM
14	LANDSCAPE PLAN
D1	SLAB DETAILS
D2	SLAB DETAILS GARAGE
D3	OPENINGS/PARAPET DETAILS
D4	EAVES DETAILS
D5	FRONT FACADE DETAILS
D6	WATERPROOFING DETAIL

**AMENDMENTS**

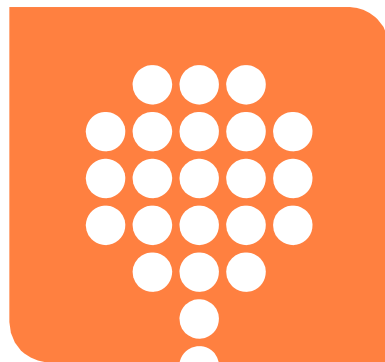
ISS	DESCRIPTION	BY	DATE
A	SUBMISSION PLANS (ITEM: 1-29)	PG	22.06.22
B	AMENDED SUBMISSION PLANS(PCV: 5&6)	SM	16.09.22
C	AMENDED SUBMISSION PLANS(DEB)	SM	07.11.22
D	AMENDED SUBMISSION PLANS(RFI)(PCV:7)	SM	06.02.23
E	LODGEMENT PLANS (TV: 1) & (PCV: 3, 4, 8, 9, 11)	PG	14.04.23
F	AMENDED LODGEMENT PLANS (UPDATE COUNTOUR)	PG	17.05.23

**AMENDED LODGEMENT PLANS - DA**

SIGNATURE: \_\_\_\_\_

DRAWN BY: MD	DATE DRAWN: 17.05.23	CHECKED BY: DD	APPROVED FOR CONSTRUCTION:
DISTRICT NAME: WODEN VALLEY		SCALE:	
JOB No: A000249	DRWG No: 01	ISSUE: F	

CLIENT INITIALS: 1. \_\_\_\_\_ 2. \_\_\_\_\_



**RAWSON  
HOMES**  
- EST 1978 -

NOTES:  
PLEASE NOTE: DETAILS SHOWN ON THESE PLANS ARE INTENDED TO BE ACCURATE - HOWEVER INFORMATION WRITTEN INTO INDIVIDUAL CONTRACTS WILL TAKE PRECEDENCE OVER PLANS  
\* ALL DIMENSIONS ARE IN MILLIMETRES  
\* DO NOT SCALE - USE WRITTEN DIMENSIONS  
\* ALL DIMENSIONS ARE TO STRUCTURAL FRAMES ONLY EXCLUDING FINISHED SURFACES

**RAWSON HOMES**



UNIT 6A, LEVEL 1,  
BRINDABELLA CIRCUIT  
2 BRINDABELLA BUSINESS PARK, ACT 2609  
TELEPHONE 6225 8400  
FAX 6257 1982  
ACT B/L #. 19936252 & NSW B/L #. 33493C

CLIENT:  
MS. MEREDITH DAMO & MR. MICHAEL DAMO

SITE ADDRESS:  
BLK 2 SEC 32  
(NO.38) GLEDDEN STREET  
CHIFLEY, ACT 2606

HOUSE TYPE  
MODEL: BEDARRA 35 MKII  
FACADE: METRO  
TYPE: DOUBLE GARAGE  
SPECIFICATION: CORE V2

DRAWING TITLE:  
**COVER SHEET**

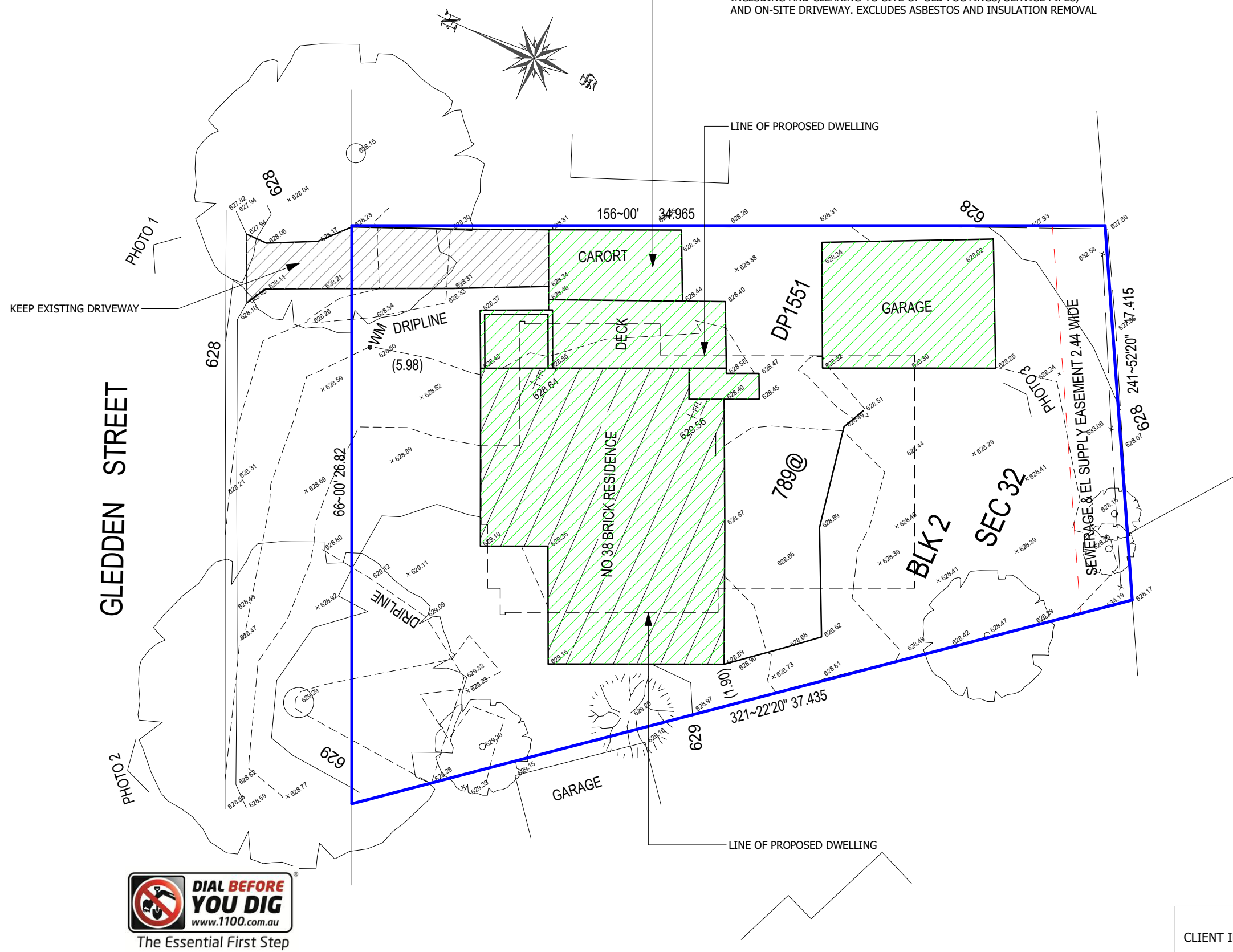
**Building Approval**

Is issued under section 28 of the Building Act 2004  
CBS Residential Certifiers Pty Ltd

5/07/2023 Licenced No: 2019937

THIS DRAWING IS SUBJECT TO COPYRIGHT LAWS AND  
MAY NOT BE COPIED WITHOUT THE WRITTEN PERMISSION  
OF RAWSON HOMES PTY LTD-ACN 053 733 841

DEMOLITION AND REMOVAL OF EXISTING DWELLING AND ANY OUTBUILDS  
INCLUDING AND CLEARING TO SITE OF OLD FOOTINGS, SERVICE PIPES,  
AND ON-SITE DRIVEWAY. EXCLUDES ASBESTOS AND INSULATION REMOVAL



CLIENT INITIALS: 1. \_\_\_\_\_ 2. \_\_\_\_\_

**NOTES:**

PLEASE NOTE: DETAILS SHOWN ON THESE PLANS ARE INTENDED TO BE ACCURATE - HOWEVER INFORMATION WRITTEN INTO INDIVIDUAL CONTRACTS WILL TAKE PRECEDENCE OVER PLANS  
\* ALL DIMENSIONS ARE IN MILLIMETRES  
\* DO NOT SCALE - USE WRITTEN DIMENSIONS  
\* ALL DIMENSIONS ARE TO STRUCTURAL FRAMES ONLY EXCLUDING FINISHED SURFACES

**RAWSON HOMES**  
UNIT 6A, LEVEL 1,  
BRINDABELLA CIRCUIT  
2 BRINDABELLA BUSINESS PARK, ACT  
2609  
TELEPHONE 6225 8400  
FAX 6257 1982



CLIENT:  
MS. MEREDITH DAMO & MR. MICHAEL DAMO  
SITE ADDRESS:  
BLK 2 SEC 32  
(NO.38) GLEDDEN STREET  
CHIFLEY, ACT 2606

HOUSE TYPE  
MODEL: BEDARRA 35 MKII  
FACADE: METRO  
TYPE: DOUBLE GARAGE  
SPECIFICATION: CORE V2  
DRAWING TITLE:  
DEMOLITION PLAN

DRAWN BY: MD	DATE DRAWN: 17.05.23	CHECKED BY: DD	APPROVED FOR CONSTRUCTION:
DISTRICT NAME: WODEN VALLEY		SCALE: 1 : 200	
JOB No: A000249	DRWG No: 02	ISSUE: F	

S:\17\_DRAFTING\ACT\A000249 Damo-Damo 38 Gledden Street Customer L\230517 A000249 (ALP Issue F).rvt

**LEGEND**

DT - DENOTES DEAD TREE	PP - POWER POLE
EB - ELECTRICAL BOX	SMH - SEWER MAN HOLE
EM - ELECTRICAL METER	SIO - SEWER INSPECTION OPENING
G - GAS METER	SV - SEWER VENT PIPE STOP VALVE
H - HYDRANT	S - DENOTES TREE STUMP
R - HYDRANT RECYCLED	SWO - DENOTES STORM WATER PIT
KO - DENOTES KERB OUTLET	T - DENOTES TREE
LP - LIGHT POLE	TP - TELESTRA PIT
LH - LAMP POLE	WT - WATER TAG
MH - MAN HOLE	WM - WATER METER
△ - BENCH MARK	□ - GULLY PIT
① - PHOTO POINT	— - VEHICULAR CROSSING

**GENERAL SITING NOTES**

- ALL PROPOSED FINISH FLOOR LEVELS AND CUT/FILL REQUIREMENT SUBJECT TO CONFIRMATION UPON COMPLETION OF ARCHITECTURAL PLANS.
- ALL PROPOSED FINISH FLOOR LEVELS ARE SUBJECT TO CONFIRMATION WITH STEP-DOWNS NOMINATED PRIOR TO EXCAVATION BY BUILDER, EXCAVATOR AND/OR CONCRETOR.
- ALL AREA CALCULATIONS ARE TO BE CONFIRMED UPON THE COMPLETION OF FINAL ARCHITECTURAL PLANS.
- ALL ALLOWANCES FOR STEPS/STAIRS THAT MAY BE REQUIRED ARE SUBJECT TO FINAL ARCHITECTURAL PLANS.
- NO ALLOWANCES HAS BEEN MADE FOR RETAINING WALLS, BY OWNER AFTER HANDOVER IF REQUIRED.

EXISTING TREES GREATER THAN 8m IN HEIGHT WITHIN 3m OF THE PROPOSED BUILDING OR ANY TREES WITHIN PROPOSED DRIVEWAY TO BE REMOVED BY OWNER PRIOR TO CONSTRUCTION.

**GENERAL SURVEY NOTES**

- CONTOURS SHOWN HAVE BEEN INTERPOLATED FROM SPOT LEVELS TAKEN ON-SITE AND ARE A REPRESENTATION OF THE TOPOGRAPHY ONLY.
- DIMENSIONS SHOWN (BEARINGS & DISTANCES) HAVE BEEN DETERMINED BY NSW LAND REGISTRY SERVICES PLANS ONLY. BOUNDARIES HAVE NOT BEEN ACCURATELY DETERMINED. BUILDINGS AND FENCES ARE SHOWN IN APPROXIMATE POSITIONS ONLY AND COULD VARY + OR - 100MM.
- SERVICES SHOWN HAVE BEEN LOCATED WHERE POSSIBLE BY FIELD SURVEY. PRIOR TO ANY SITE WORKS, THE RELEVANT AUTHORITY SHOULD BE CONTACTED TO DETERMINE EXACT POSITION OF ANY UNDERGROUND PIPES, CABLES ETC.
- DIMENSIONS OF ANY TREES SHOWN ON THE PLAN ARE APPROXIMATE.

**SITE CALCULATIONS DA**

GROUND FLOOR	162.54	m <sup>2</sup>
FIRST FLOOR	116.48	m <sup>2</sup>
GARAGE AREA	38.20	m <sup>2</sup>
TOTAL LIVING AREA	279.02	m <sup>2</sup>
SITE AREA	789.00	m <sup>2</sup>
BUILDING FOOTPRINT (INCLUDING UNENCLOSED AREA)	230.04	m <sup>2</sup>
DRIVEWAY & PATH	48.32	m <sup>2</sup>
CROSSOVER	19.91	m <sup>2</sup>
TOTAL FRONT AREA	156.23	m <sup>2</sup>
FRONT LANDSCAPE AREA	69.07	%
TOTAL LANDSCAPE AREA	510.64	m <sup>2</sup>
LANDSCAPE AREA (%)	64.72	%
TOTAL BUILT UPON AREA	31.57	%
FLOOR SPACE RATIO	0.35	:1
SITE COVERAGE	29.16	%
SITE COVERAGE FF	14.76	%

**PRIVATE OPEN SPACE:**

THE DEVELOPMENT WILL COMPLY WITH RULE R50 OF SINGLE DWELLING BUILDING CODE & A MINIMUM OF 50% OF THE PRIVATE OPEN SPACE WILL BE RETAINED AS PLANTING AREA.

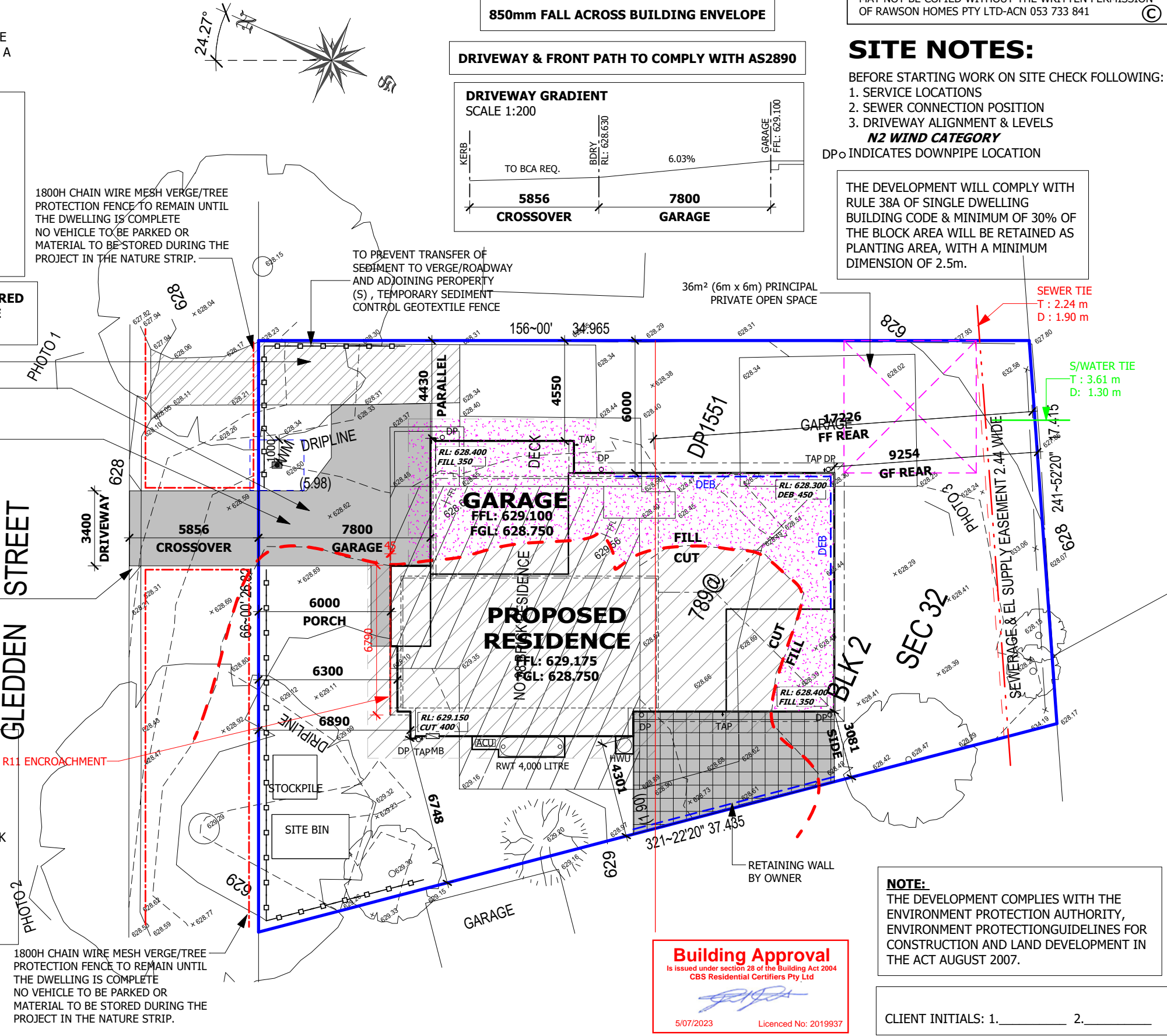
ENCROACHMENTS WHICH ARE NOT CONSIDERED TO BE A MINOR DEPARTURE FROM THE TERRITORY PLAN RULE BY ENVIRONMENT & PLANNING DEPARTMENT MAY BE REFUSED AS EXEMPTION DECLARATIONS AND WOULD REQUIRE A DEVELOPMENT APPLICATION.

DESIGN SUBJECT TO APPROVAL FOR CONSTRUCTION WITHIN THE PROTECTION ZONE OF REGULATED TREES.

REFER TO HYDRAULIC DETAILS PREPARED BY ALW DESIGN (SW23136 - S1 ) DATE 30.03.23 FOR HYDRAULIC DESIGN

**WATER SENSITIVE URBANE DESIGN :**

- MINIMUM ON SITE WATER STORAGE OF WATER FROM ROOF HARVESTING IS 4000L
- 50% OR 100m<sup>2</sup> OF ROOF PLAN AREA, WHICHEVER IS THE LESSER, IS CONNECTED TO THE TANK AND THE TANK IS CONNECTED TO AT LEAST A TOILET, LAUNDRY COLD WATER AND ALL EXTERNAL TAPS. THE CONNECTION WILL REQUIRE A PUMP WHERE IT CANNOT BE ELEVATED SUFFICIENTLY TO GIVE ADEQUATE PRESSURE



THIS DRAWING IS SUBJECT TO COPYRIGHT LAWS AND MAY NOT BE COPIED WITHOUT THE WRITTEN PERMISSION OF RAWSON HOMES PTY LTD-ACN 053 733 841

**SITE NOTES:**

- BEFORE STARTING WORK ON SITE CHECK FOLLOWING:
- SERVICE LOCATIONS
  - SEWER CONNECTION POSITION
  - DRIVEWAY ALIGNMENT & LEVELS
- N2 WIND CATEGORY**  
DPO INDICATES DOWNPIPE LOCATION

THE DEVELOPMENT WILL COMPLY WITH RULE 38A OF SINGLE DWELLING BUILDING CODE & MINIMUM OF 30% OF THE BLOCK AREA WILL BE RETAINED AS PLANTING AREA, WITH A MINIMUM DIMENSION OF 2.5m.

**NOTE:** THE DEVELOPMENT COMPLIES WITH THE ENVIRONMENT PROTECTION AUTHORITY, ENVIRONMENT PROTECTION GUIDELINES FOR CONSTRUCTION AND LAND DEVELOPMENT IN THE ACT AUGUST 2007.



CLIENT INITIALS: 1. \_\_\_\_\_ 2. \_\_\_\_\_

S:\17\_DRAFTING\ACT\A000249 Damo-Demo 38 Gledden Street Customer L\230525 A000249 (ALP Issue F).rvt

**NOTES:**

PLEASE NOTE: DETAILS SHOWN ON THESE PLANS ARE INTENDED TO BE ACCURATE - HOWEVER INFORMATION WRITTEN INTO INDIVIDUAL CONTRACTS WILL TAKE PRECEDENCE OVER PLANS

- \* ALL DIMENSIONS ARE IN MILLIMETRES
- \* DO NOT SCALE - USE WRITTEN DIMENSIONS
- \* ALL DIMENSIONS ARE TO STRUCTURAL FRAMES ONLY EXCLUDING FINISHED SURFACES

**RAWSON HOMES**

UNIT 6A, LEVEL 1,  
BRINDABELLA CIRCUIT  
2 BRINDABELLA BUSINESS PARK, ACT  
2609  
TELEPHONE 6225 8400  
FAX 6257 1982

CLIENT:  
MS. MEREDITH DAMO & MR. MICHAEL DAMO

SITE ADDRESS:  
BLK 2 SEC 32  
(NO.38) GLEDDEN STREET  
CHIFLEY, ACT 2606

HOUSE TYPE  
MODEL: BEDARRA 35 MKII  
FACADE: METRO  
TYPE: DOUBLE GARAGE  
SPECIFICATION: CORE V2

DRAWING TITLE:  
SITE PLAN/LMPP

DRAWN BY: MD	DATE DRAWN: 17.05.23	CHECKED BY: DD	APPROVED FOR CONSTRUCTION:
DISTRICT NAME: WODEN VALLEY		SCALE: 1 : 200	
JOB No: A000249	DRWG No: 03	ISSUE: F	

**NOTES:**

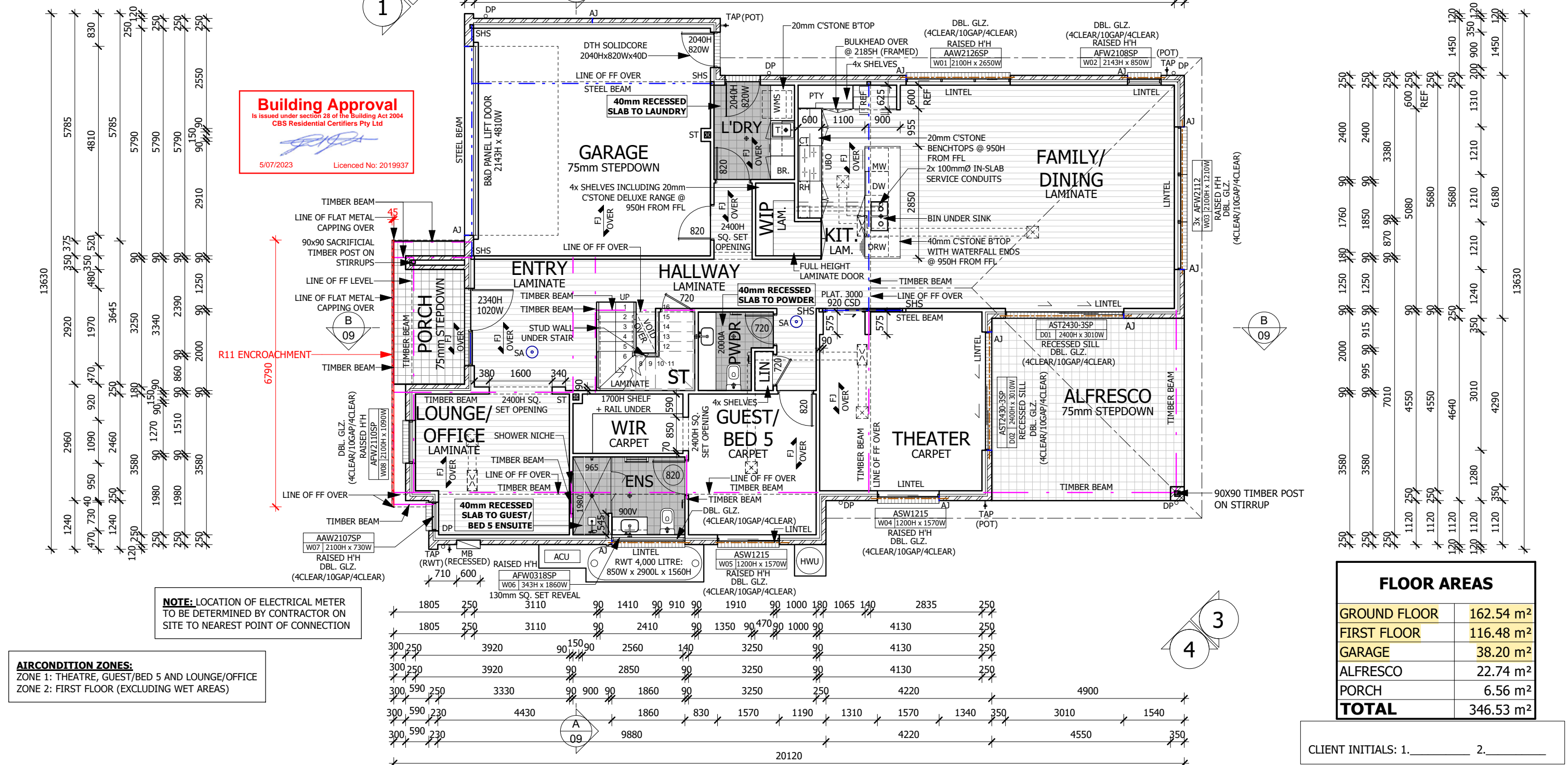
- ALL EXTERNAL DOORS TO BE FITTED WITH DRAFT EXCLUSION DEVICE
- WC DOORS TO BE FITTED WITH LIFT-OFF HINGES
- WINDOW OPENING SIZES TO BE CHECKED BEFORE FRAMES ARE CONSTRUCTED
- FRAMES & TRUSSES TO SATISFY AS 1684 SAA TIMBER FRAMING CODE
- ROOF SPACE TO BE VENTILATED BY EAVE VENTS
- 2340H DECO10S INTERNAL DOORS TO GROUND FLOOR ONLY (EXCLUDES BEDROOM ROBES AND DOOR UNDER STAIRS)
- 2400H SQUARE SET OPENINGS TO GROUND FLOOR ONLY
- MECHANICAL VENTILATION DUCTED TO EXTERNAL EAVES/WALLS AS PER NCC REQUIREMENT

**Building Approval**  
 Is issued under section 28 of the Building Act 2004  
 CBS Residential Certifiers Pty Ltd  
 5/07/2023 Licenced No: 2019937

THIS DRAWING IS SUBJECT TO COPYRIGHT LAWS AND MAY NOT BE COPIED WITHOUT THE WRITTEN PERMISSION OF RAWSON HOMES PTY LTD-ACN 053 733 841

POSITIONS OF OUTLETS, RETURN AIR AND NUMBER OF DROPPERS IS DETERMINED BY AIR CONDITIONING CONTRACTOR

ROOF ARE: 243.20 m<sup>2</sup>  
 CONDITIONED AREA: 244.66 m<sup>2</sup>  
 UNCONDITIONED AREA: 15.97 m<sup>2</sup>



**NOTE:** LOCATION OF ELECTRICAL METER TO BE DETERMINED BY CONTRACTOR ON SITE TO NEAREST POINT OF CONNECTION

**AIRCONDITION ZONES:**  
 ZONE 1: THEATRE, GUEST/BED 5 AND LOUNGE/OFFICE  
 ZONE 2: FIRST FLOOR (EXCLUDING WET AREAS)

**RAWSON HOMES**  
 UNIT 6A, LEVEL 1,  
 BRINDABELLA CIRCUIT  
 2 BRINDABELLA BUSINESS PARK, ACT  
 2609  
 TELEPHONE 6225 8400  
 FAX 6257 1982

CLIENT:  
 MS. MEREDITH DAMO & MR. MICHAEL DAMO  
 SITE ADDRESS:  
 BLK 2 SEC 32  
 (NO.38) GLEDDEN STREET  
 CHIFLEY, ACT 2606

HOUSE TYPE  
 MODEL: **BEDARRA 35 MKII**  
 FACADE: **METRO**  
 TYPE: **DOUBLE GARAGE**  
 SPECIFICATION: **CORE V2**  
 DRAWING TITLE:  
**GROUND FLOOR**

DRAWN BY: MD	DATE DRAWN: 17.05.23	CHECKED BY: DD	APPROVED FOR CONSTRUCTION:
DISTRICT NAME: WODEN VALLEY		SCALE: 1 : 100	
JOB No: A000249	DRWG No: 04	ISSUE: F	

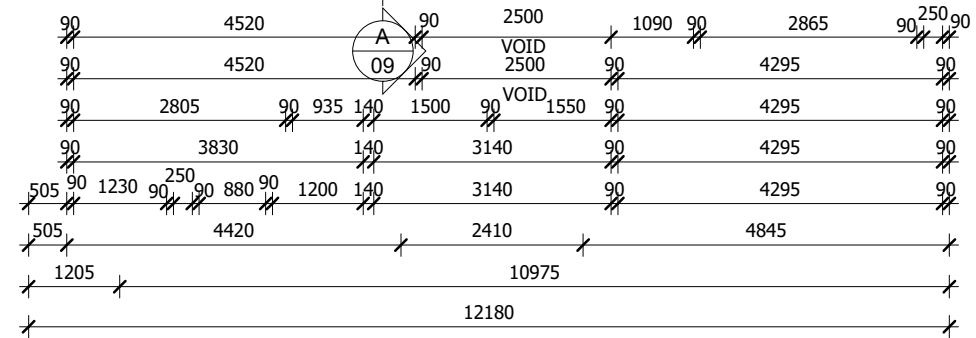
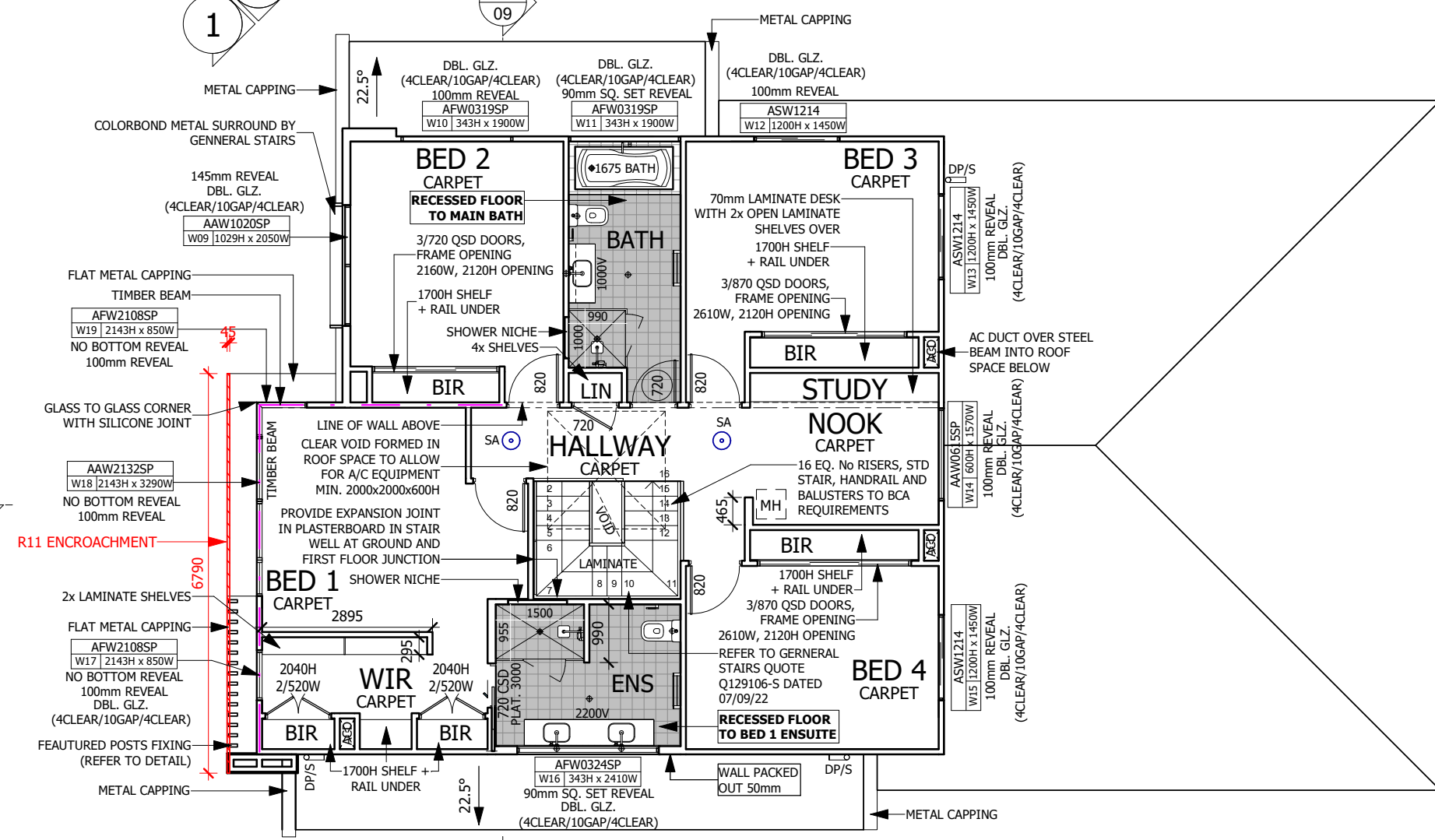
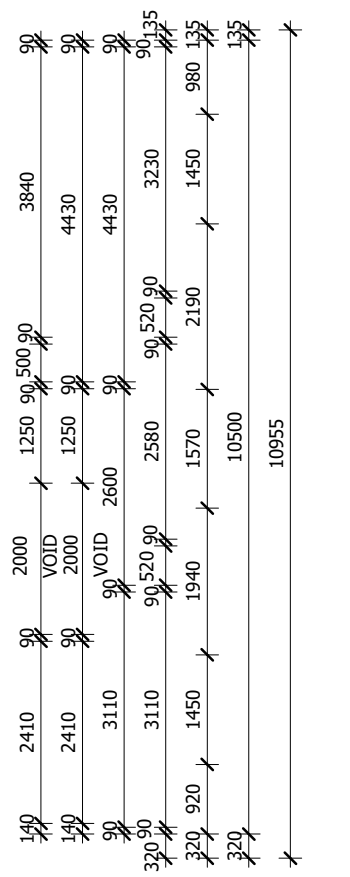
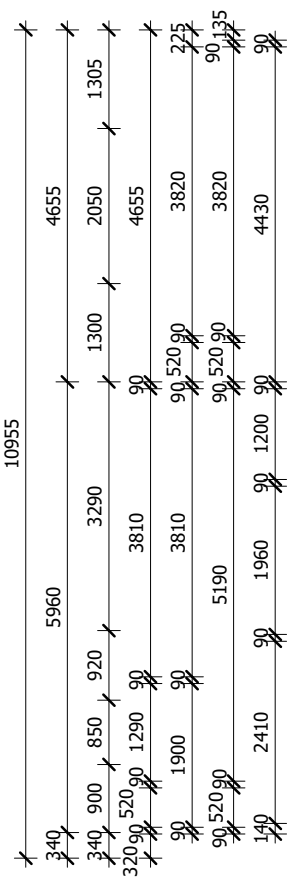
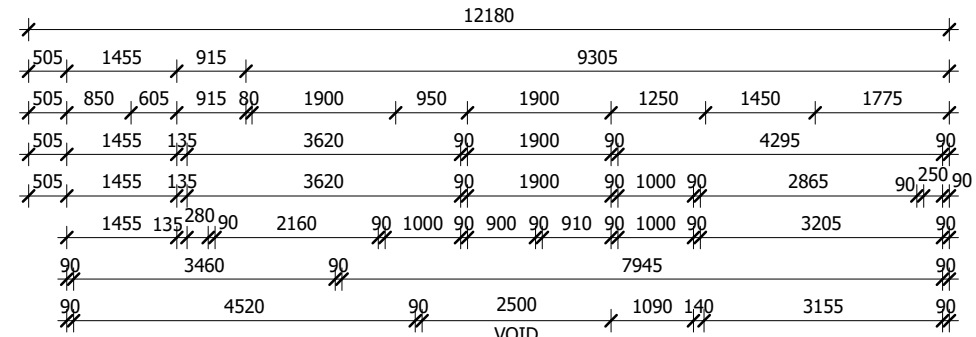
S:\17. DRAFTING\ACT\A000249 Demo-Damo 38 Gledden Street Customer L\230517 A000249 (ALP Issue F).rvt

**NOTES:**

- ALL EXTERNAL DOORS TO BE FITTED WITH DRAFT EXCLUSION DEVICE
- WC DOORS TO BE FITTED WITH LIFT-OFF HINGES
- WINDOW OPENING SIZES TO BE CHECKED BEFORE FRAMES ARE CONSTRUCTED
- FRAMES & TRUSSES TO SATISFY AS 1684 SAA TIMBER FRAMING CODE
- ROOF SPACE TO BE VENTILATED BY EAVE VENTS
- MECHANICAL VENTILATION DUCTED TO EXTERNAL EAVES/WALLS AS PER NCC REQUIREMENT
- 2040H DECO10S INTERNAL DOORS TO FIRST FLOOR (EXCLUDES BEDROOM ROBES)

THIS DRAWING IS SUBJECT TO COPYRIGHT LAWS AND MAY NOT BE COPIED WITHOUT THE WRITTEN PERMISSION OF RAWSON HOMES PTY LTD-ACN 053 733 841

**NOTE:** RESTRICTORS TO BE FITTED TO ALL 1ST FLOOR OPENABLE WINDOWS WITH A SILL HEIGHT LESS THAN 1.7m ABOVE FFL. IN ACCORDANCE WITH BCA CLAUSE 3.9.2.5



**STAIR VOID**

CLIENT INITIALS: 1. \_\_\_\_\_ 2. \_\_\_\_\_

S:\17\_DRAFTING\ACT\A000249 Damo-Damo 38 Gledden Street Customer L\230517 A000249 (ALP Issue F).rvt

<p>NOTES:</p> <p>PLEASE NOTE: DETAILS SHOWN ON THESE PLANS ARE INTENDED TO BE ACCURATE - HOWEVER INFORMATION WRITTEN INTO INDIVIDUAL CONTRACTS WILL TAKE PRECEDENCE OVER PLANS</p> <p>* ALL DIMENSIONS ARE IN MILLIMETRES</p> <p>* DO NOT SCALE - USE WRITTEN DIMENSIONS</p> <p>* ALL DIMENSIONS ARE TO STRUCTURAL FRAMES ONLY EXCLUDING FINISHED SURFACES</p>	<p><b>RAWSON HOMES</b></p> <p>UNIT 6A, LEVEL 1, BRINDABELLA CIRCUIT 2 BRINDABELLA BUSINESS PARK, ACT 2609 TELEPHONE 6225 8400 FAX 6257 1982</p>	<p>CLIENT:</p> <p>MS. MEREDITH DAMO &amp; MR. MICHAEL DAMO</p>	<p>HOUSE TYPE</p> <p>MODEL: <b>BEDARRA 35 MKII</b></p> <p>FACADE: <b>METRO</b></p> <p>TYPE: <b>DOUBLE GARAGE</b></p> <p>SPECIFICATION: <b>CORE V2</b></p>	<p>DRAWN BY:</p> <p>MD</p>	<p>DATE DRAWN:</p> <p>17.05.23</p>	<p>CHECKED BY:</p> <p>DD</p>	<p>APPROVED FOR CONSTRUCTION:</p>
		<p>SITE ADDRESS:</p> <p>BLK 2 SEC 32 (NO.38) GLEDDEN STREET CHIFLEY, ACT 2606</p>	<p>DRAWING TITLE:</p> <p>FIRST FLOOR</p>	<p>DISTRICT NAME:</p> <p>WODEN VALLEY</p>	<p>SCALE:</p> <p>1 : 100</p>	<p>JOB No:</p> <p>A000249</p>	<p>DRWG No:</p> <p>05</p>

THIS DRAWING IS SUBJECT TO COPYRIGHT LAWS AND  
MAY NOT BE COPIED WITHOUT THE WRITTEN PERMISSION  
OF RAWSON HOMES PTY LTD-ACN 053 733 841 ©

**Building Approval**  
Is issued under section 28 of the Building Act 2004  
CBS Residential Certifiers Pty Ltd  
  
5/07/2023 Licenced No: 2019937

10955  
4181  
6774

12180  
1960 10220

1 2

A  
09

B  
09

B  
09

A  
09

1211 10969 12180

135  
4520  
5980  
320  
10955

3  
4

CLIENT INITIALS: 1. \_\_\_\_\_ 2. \_\_\_\_\_

NOTES:  
PLEASE NOTE: DETAILS SHOWN ON THESE PLANS ARE INTENDED TO BE ACCURATE - HOWEVER INFORMATION WRITTEN INTO INDIVIDUAL CONTRACTS WILL TAKE PRECEDENCE OVER PLANS  
\* ALL DIMENSIONS ARE IN MILLIMETRES  
\* DO NOT SCALE - USE WRITTEN DIMENSIONS  
\* ALL DIMENSIONS ARE TO STRUCTURAL FRAMES ONLY EXCLUDING FINISHED SURFACES

**RAWSON HOMES**  
UNIT 6A, LEVEL 1,  
BRINDABELLA CIRCUIT  
2 BRINDABELLA BUSINESS PARK, ACT  
2609  
TELEPHONE 6225 8400  
FAX 6257 1982



CLIENT:  
MS. MEREDITH DAMO & MR. MICHAEL DAMO  
SITE ADDRESS:  
BLK 2 SEC 32  
(NO.38) GLEDDEN STREET  
CHIFLEY, ACT 2606

HOUSE TYPE  
MODEL: BEDARRA 35 MKII  
FACADE: METRO  
TYPE: DOUBLE GARAGE  
SPECIFICATION: CORE V2  
DRAWING TITLE:  
ROOF PLAN

DRAWN BY: MD	DATE DRAWN: 17.05.23	CHECKED BY: DD	APPROVED FOR CONSTRUCTION:
DISTRICT NAME: WODEN VALLEY		SCALE: 1 : 100	
JOB No: A000249	DRWG No: 06	ISSUE: F	

S:\17\_DRAFTING\ACT\A000249 Damo-Damo 38 Gledden Street Customer L\230517 A000249 (ALP Issue F).rvt

**Building Approval**

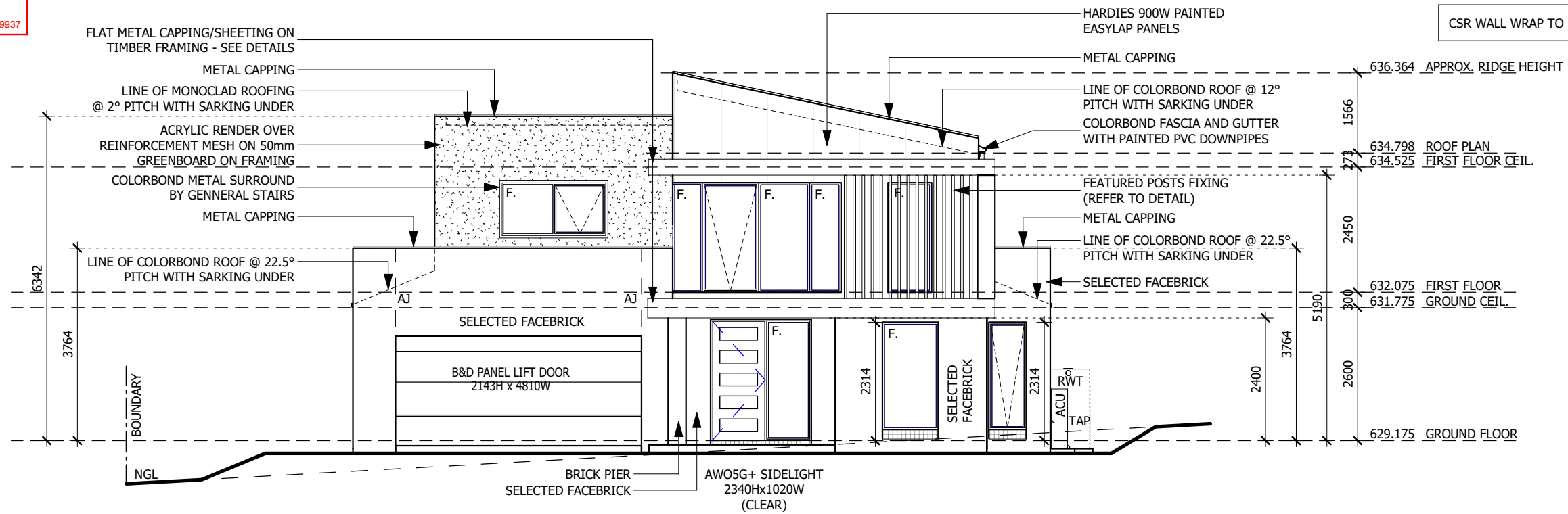
Is issued under section 28 of the Building Act 2004  
CBS Residential Certifiers Pty Ltd

5/07/2023 Licenced No: 2019937

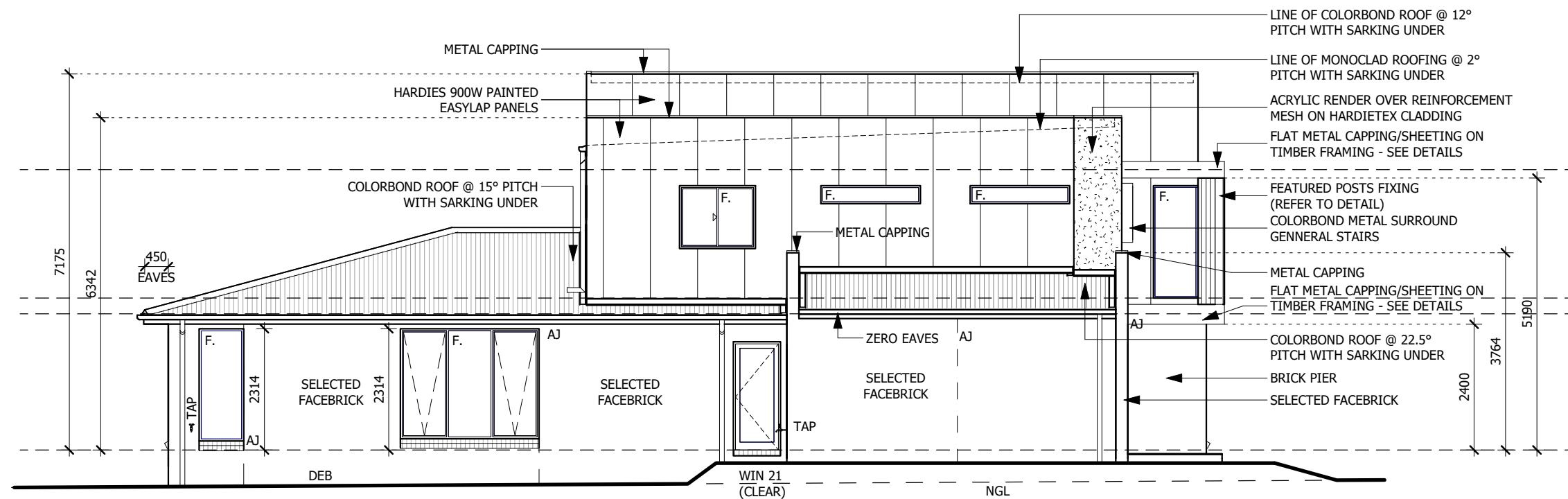
THIS DRAWING IS SUBJECT TO COPYRIGHT LAWS AND  
MAY NOT BE COPIED WITHOUT THE WRITTEN PERMISSION  
OF RAWSON HOMES PTY LTD-ACN 053 733 841

NYLON MESH FLYSCREENS TO ALL OPENING WINDOWS,  
SLIDING AND STACKER DOORS (EXCLUDING HINGED DOORS)

CSR WALL WRAP TO EXTERNAL WALLS THROUGHOUT



**ELEVATION 1**



**ELEVATION 2**

CLIENT INITIALS: 1. \_\_\_\_\_ 2. \_\_\_\_\_

**NOTES:**

PLEASE NOTE: DETAILS SHOWN ON THESE PLANS ARE INTENDED TO BE ACCURATE - HOWEVER INFORMATION WRITTEN INTO INDIVIDUAL CONTRACTS WILL TAKE PRECEDENCE OVER PLANS  
\* ALL DIMENSIONS ARE IN MILLIMETRES  
\* DO NOT SCALE - USE WRITTEN DIMENSIONS  
\* ALL DIMENSIONS ARE TO STRUCTURAL FRAMES ONLY EXCLUDING FINISHED SURFACES

**RAWSON HOMES**  
UNIT 6A, LEVEL 1,  
BRINDABELLA CIRCUIT  
2 BRINDABELLA BUSINESS PARK, ACT  
2609  
TELEPHONE 6225 8400  
FAX 6257 1982



CLIENT:  
MS. MEREDITH DAMO & MR. MICHAEL DAMO  
SITE ADDRESS:  
BLK 2 SEC 32  
(NO.38) GLEDDEN STREET  
CHIFLEY, ACT 2606

HOUSE TYPE  
MODEL: **BEDARRA 35 MKII**  
FACADE: **METRO**  
TYPE: **DOUBLE GARAGE**  
SPECIFICATION: **CORE V2**  
DRAWING TITLE:  
**ELEVATIONS 1-2**

DRAWN BY: MD	DATE DRAWN: 17.05.23	CHECKED BY: DD	APPROVED FOR CONSTRUCTION:
DISTRICT NAME: <b>WODEN VALLEY</b>		SCALE: 1 : 100	
JOB No: <b>A000249</b>	DRWG No: <b>07</b>	ISSUE: <b>F</b>	

S:\17. DRAFTING\ACT\A000249 Damo-Damo 38 Gledden Street Customer L\230517 A000249 (ALP Issue F).rvt

**Building Approval**

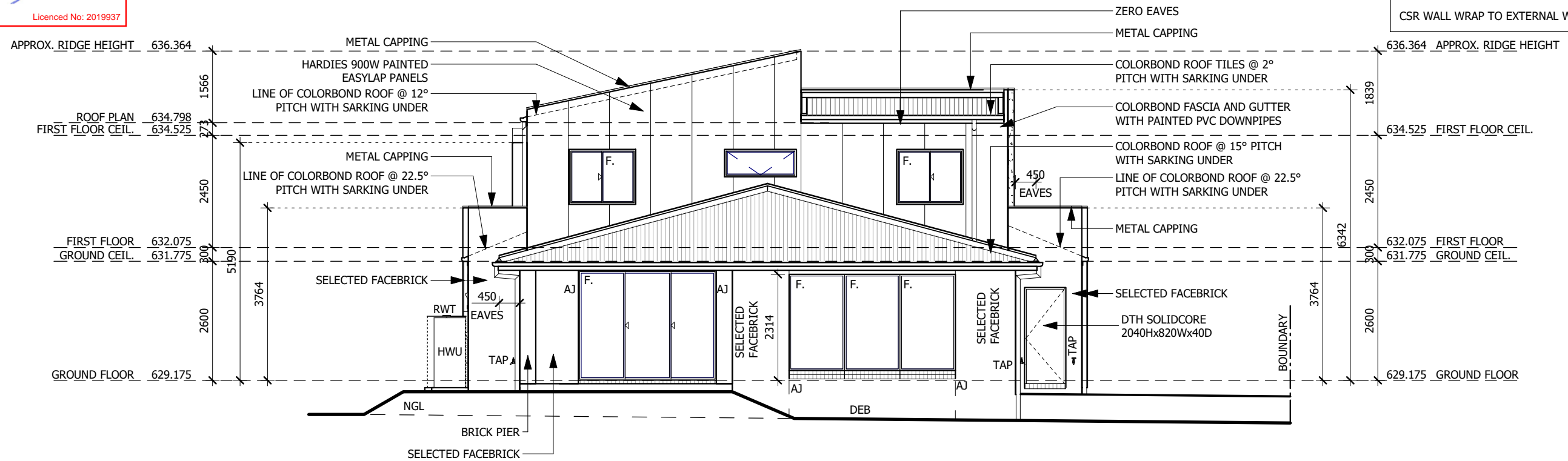
Is issued under section 28 of the Building Act 2004  
CBS Residential Certifiers Pty Ltd

5/07/2023 Licenced No: 2019937

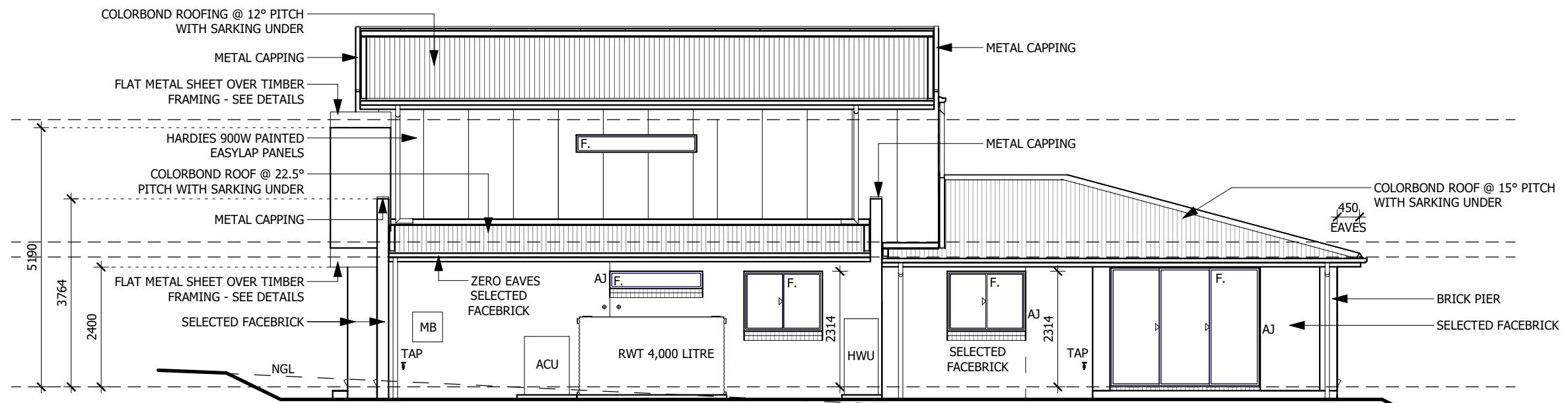
THIS DRAWING IS SUBJECT TO COPYRIGHT LAWS AND  
MAY NOT BE COPIED WITHOUT THE WRITTEN PERMISSION  
OF RAWSON HOMES PTY LTD-ACN 053 733 841

NYLON MESH FLYSCREENS TO ALL OPENING WINDOWS,  
SLIDING AND STACKER DOORS (EXCLUDING HINGED DOORS)

CSR WALL WRAP TO EXTERNAL WALLS THROUGHOUT



**ELEVATION 3**



**ELEVATION 4**

CLIENT INITIALS: 1. \_\_\_\_\_ 2. \_\_\_\_\_

**NOTES:**

PLEASE NOTE: DETAILS SHOWN ON THESE PLANS ARE INTENDED TO BE ACCURATE - HOWEVER INFORMATION WRITTEN INTO INDIVIDUAL CONTRACTS WILL TAKE PRECEDENCE OVER PLANS  
\* ALL DIMENSIONS ARE IN MILLIMETRES  
\* DO NOT SCALE - USE WRITTEN DIMENSIONS  
\* ALL DIMENSIONS ARE TO STRUCTURAL FRAMES ONLY EXCLUDING FINISHED SURFACES

**RAWSON HOMES**  
UNIT 6A, LEVEL 1,  
BRINDABELLA CIRCUIT  
2 BRINDABELLA BUSINESS PARK, ACT  
2609  
TELEPHONE 6225 8400  
FAX 6257 1982



CLIENT:  
MS. MEREDITH DAMO & MR. MICHAEL DAMO  
SITE ADDRESS:  
BLK 2 SEC 32  
(NO.38) GLEDDEN STREET  
CHIFLEY, ACT 2606

HOUSE TYPE  
MODEL: **BEDARRA 35 MKII**  
FACADE: **METRO**  
TYPE: **DOUBLE GARAGE**  
SPECIFICATION: **CORE V2**  
DRAWING TITLE:  
**ELEVATIONS 3-4**

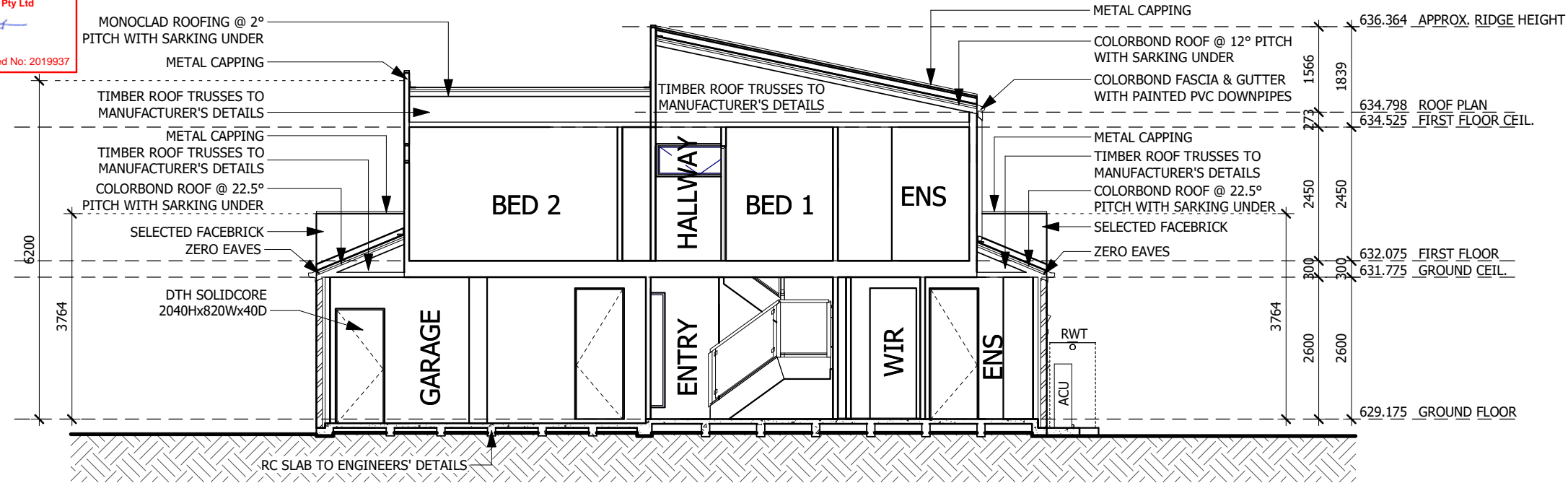
DRAWN BY: MD	DATE DRAWN: 17.05.23	CHECKED BY: DD	APPROVED FOR CONSTRUCTION:
DISTRICT NAME: <b>WODEN VALLEY</b>		SCALE: 1 : 100	
JOB No: <b>A000249</b>	DRWG No: <b>08</b>	ISSUE: <b>F</b>	

**Building Approval**

Is issued under section 28 of the Building Act 2004  
CBS Residential Certifiers Pty Ltd

5/07/2023 Licenced No: 2019937

THIS DRAWING IS SUBJECT TO COPYRIGHT LAWS AND MAY NOT BE COPIED WITHOUT THE WRITTEN PERMISSION OF RAWSON HOMES PTY LTD-ACN 053 733 841

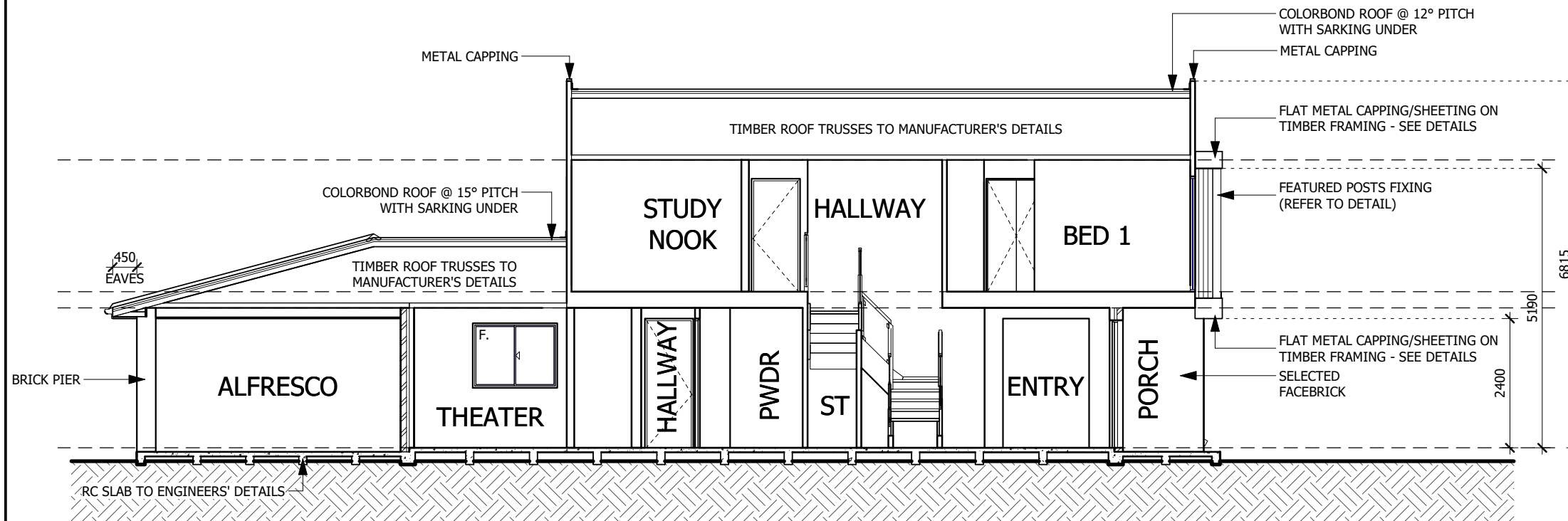


**SECTION A-A**

SCALE: 1 : 100

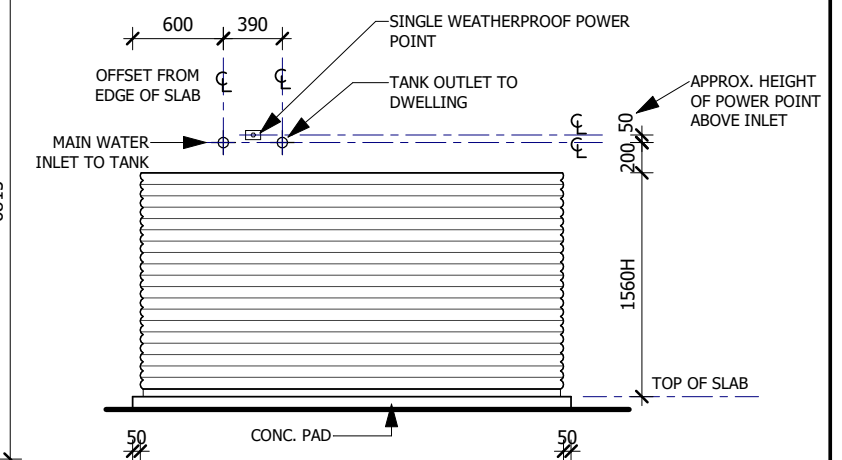
**INSULATION NOTE:**

- R2.5 THERMAL BATTS TO EXTERNAL WALLS INCLUDING INTERNAL WALL BETWEEN GARAGE & HOUSE (EXCLUDES EXTERNAL WALLS OF GARAGE).
- R4.1 THERMAL BATTS TO CEILINGS WITH ROOF OVER (EXCLUDING CEILINGS OVER GARAGE, PORCH, ALFRESCO & DECK).
- CSR WALL WRAP TO EXTERNAL WALLS THROUGHOUT



**SECTION B-B**

SCALE: 1 : 100



**RAINWATER TANK**

SCALE: 1 : 50

CLIENT INITIALS: 1. \_\_\_\_\_ 2. \_\_\_\_\_

**NOTES:**

PLEASE NOTE: DETAILS SHOWN ON THESE PLANS ARE INTENDED TO BE ACCURATE - HOWEVER INFORMATION WRITTEN INTO INDIVIDUAL CONTRACTS WILL TAKE PRECEDENCE OVER PLANS  
\* ALL DIMENSIONS ARE IN MILLIMETRES  
\* DO NOT SCALE - USE WRITTEN DIMENSIONS  
\* ALL DIMENSIONS ARE TO STRUCTURAL FRAMES ONLY EXCLUDING FINISHED SURFACES

**RAWSON HOMES**

UNIT 6A, LEVEL 1,  
BRINDABELLA CIRCUIT  
2 BRINDABELLA BUSINESS PARK, ACT  
2609  
TELEPHONE 6225 8400  
FAX 6257 1982



CLIENT:  
MS. MEREDITH DAMO & MR. MICHAEL DAMO

SITE ADDRESS:  
BLK 2 SEC 32  
(NO.38) GLEDDEN STREET  
CHIFLEY, ACT 2606

HOUSE TYPE  
MODEL: BEDARRA 35 MKII  
FACADE: METRO  
TYPE: DOUBLE GARAGE  
SPECIFICATION: CORE V2

DRAWING TITLE:  
SECTIONS

DRAWN BY: MD	DATE DRAWN: 17.05.23	CHECKED BY: DD	APPROVED FOR CONSTRUCTION:
-----------------	-------------------------	-------------------	----------------------------

DISTRICT NAME: WODEN VALLEY	SCALE: As indicated
--------------------------------	------------------------

JOB No: A000249	DRWG No: 09	ISSUE: F
--------------------	----------------	-------------

**Building Approval**

Is issued under section 28 of the Building Act 2004  
CBS Residential Certifiers Pty Ltd

5/07/2023 Licenced No: 2019937

THIS DRAWING IS SUBJECT TO COPYRIGHT LAWS AND MAY NOT BE COPIED WITHOUT THE WRITTEN PERMISSION OF RAWSON HOMES PTY LTD-ACN 053 733 841

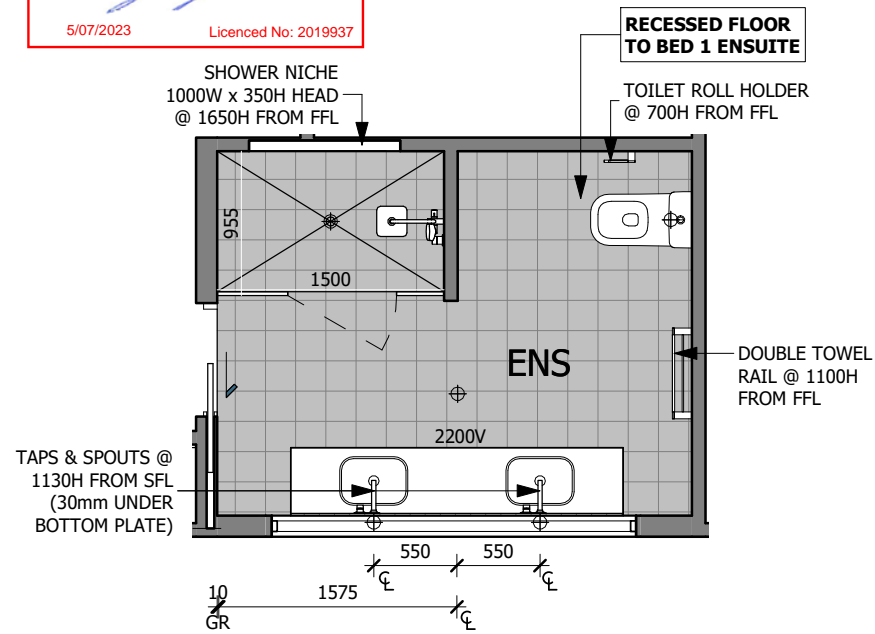
REFER TO THYNK STUDIO QUOTE 22811 SIGNED DATED 05/10/2022 FOR TILING DETAILS.

**LAUNDRY / WC**

- PROVIDE SKIRTING TILE TO PERIMETER WALLS OF LAUNDRY
- 650H TILED SPLASHBACK OVER LAUNDRY TUB & BENCH @ 950mm HIGH

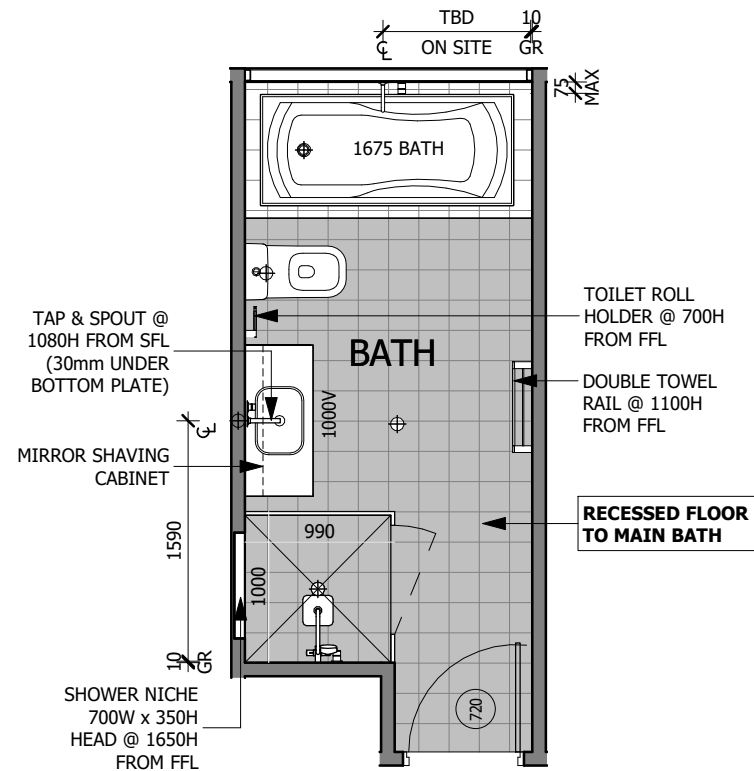
**BATHROOM**

- PROVIDE FULL HEIGHT TILING TO BED 1 ENSUITE, BED 5 ENSUITE AND MAIN BATH
- SKIRTING TILE TO PERIMETER WALL TO REMAINDER
- 1900H SHOWER HEAD FROM FFL TO UNDERSIDE OF SHOWER HEAD
- FLOATING VANITIES
- TILED SPLASHBACKS ABOVE VANITIES WITH FLOATING MIRROR OVER ON 32mm BOARD, 130mm FROM SIDE OF VANITY, MAX. HEIGHT 880mm TO POWDER ROOM
- PROVIDE KICKER TO BATH HOB 140H x 70W
- WALL MOUNTED TAPS & SPOUT TO MAIN BATH, BED 1 ENSUITE, POWDER AND GUEST/ BED 5 ENSUITE VANITIES & BATH
- SQUARE SET WALL/CEILING JUNCTION TO MAIN BATHROOM, ENSUITE AND POWDER ROOM (INCLUDING SEPARATE WC ONLY WHEN WITHIN BATHROOM OR ENSUITE)
- SQ. SET WINDOW TO MAIN BATHROOM ENSUITE, POWDER ROOM AND WC
- 20mm STANDARD RANGE CEASARSTONE TO VANITY BENCHTOPS THROUGHOUT
- 900H VANITIES TO BED 1 ENSUITE
- 850H VANITIES TO MAIN BATH, BED 5 ENSUITE AND POWDER ROOM
- MECHANICAL VENTILATION DUCTED TO EXTERNAL EAVES/WALLS AS PER NCC REQUIREMENT
- PROVIDE SMART SQUARE TILE FLOOR WATES TO WET AREAS THROUGHOUT
- 6mm GRANGE CHROME SEMI FRAMELESS SHOWER SCREEN WITH PIVOT DOOR TO MAIN BATH, BED 1 ENSUITE AND BED 5 ENSUITE



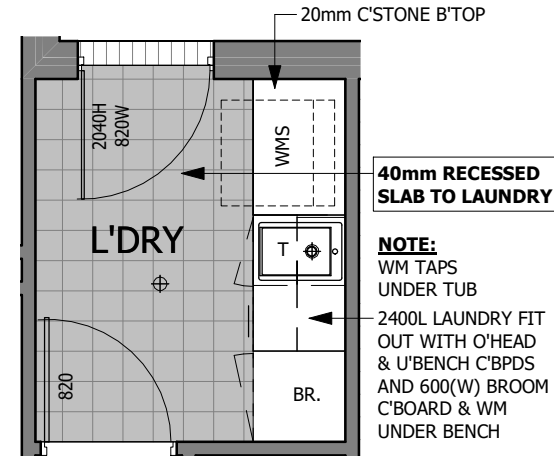
**BED 1 ENSUITE**

SCALE: 1 : 50



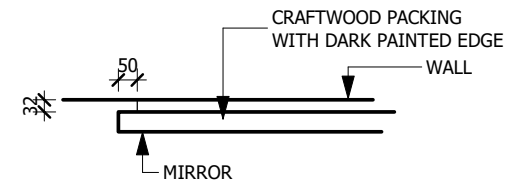
**MAIN BATH**

SCALE: 1 : 50



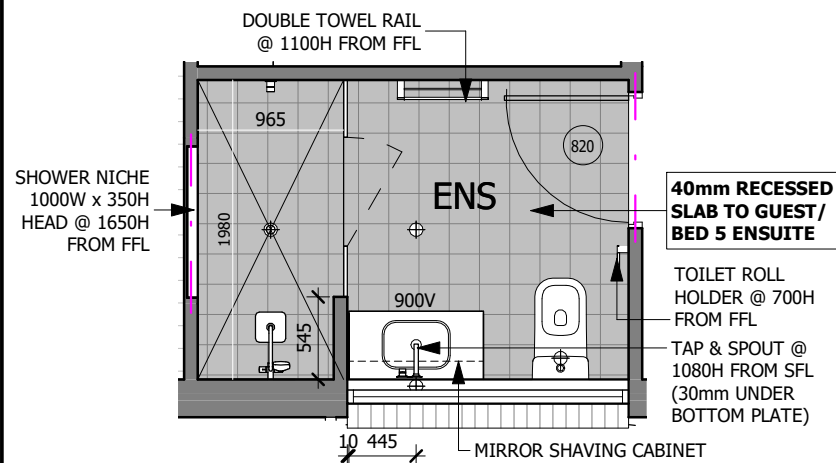
**LAUNDRY**

SCALE: 1 : 50



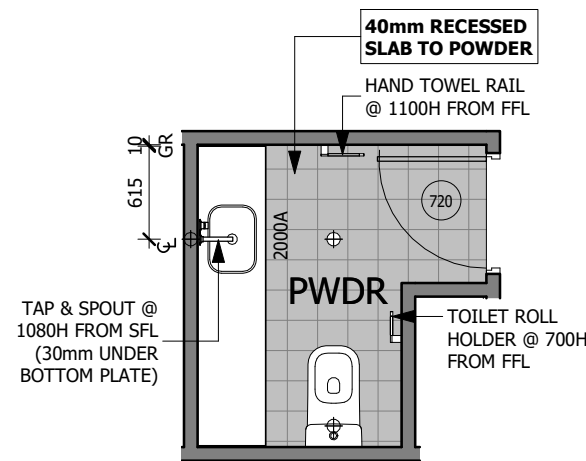
**MIRROR EDGE PLAN**

SCALE: 1 : 20



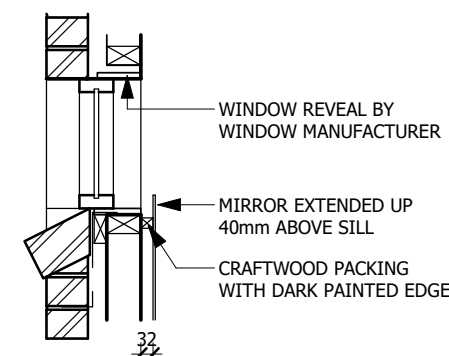
**BED 5 ENSUITE**

SCALE: 1 : 50



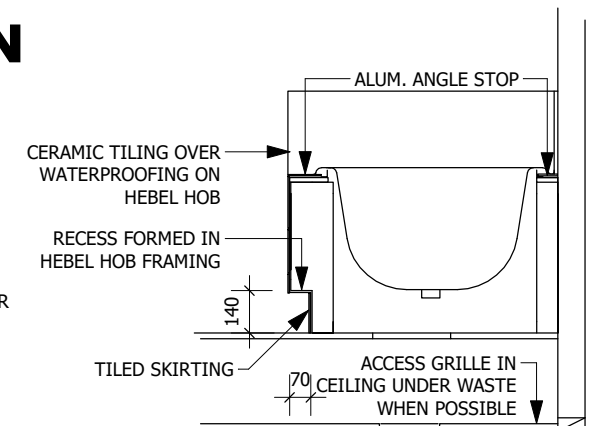
**POWDER**

SCALE: 1 : 50



**MIRROR AT WINDOW**

SCALE: 1 : 20



**BATH HOB DETAIL**

SCALE: 1 : 25

CLIENT INITIALS: 1. \_\_\_\_\_ 2. \_\_\_\_\_

**NOTES:**

PLEASE NOTE: DETAILS SHOWN ON THESE PLANS ARE INTENDED TO BE ACCURATE - HOWEVER INFORMATION WRITTEN INTO INDIVIDUAL CONTRACTS WILL TAKE PRECEDENCE OVER PLANS

- \* ALL DIMENSIONS ARE IN MILLIMETRES
- \* DO NOT SCALE - USE WRITTEN DIMENSIONS
- \* ALL DIMENSIONS ARE TO STRUCTURAL FRAMES ONLY EXCLUDING FINISHED SURFACES

**RAWSON HOMES**

UNIT 6A, LEVEL 1,  
BRINDABELLA CIRCUIT  
2 BRINDABELLA BUSINESS PARK, ACT  
2609  
TELEPHONE 6225 8400  
FAX 6257 1982



CLIENT:  
MS. MEREDITH DAMO & MR. MICHAEL DAMO

SITE ADDRESS:  
BLK 2 SEC 32  
(NO.38) GLEDDEN STREET  
CHIFLEY, ACT 2606

HOUSE TYPE  
MODEL: BEDARRA 35 MKII  
FACADE: METRO  
TYPE: DOUBLE GARAGE  
SPECIFICATION: CORE V2

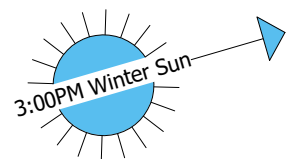
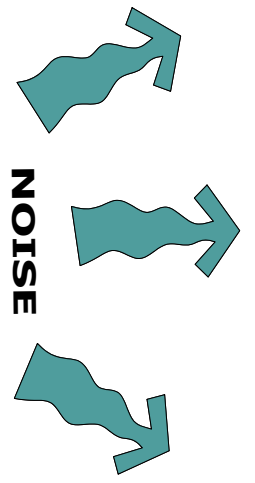
DRAWING TITLE:  
WET AREA PLANS

DRAWN BY: MD	DATE DRAWN: 17.05.23	CHECKED BY: DD	APPROVED FOR CONSTRUCTION:
DISTRICT NAME: WODEN VALLEY		SCALE: As indicated	
JOB No: A000249	DRWG No: 10	ISSUE: F	



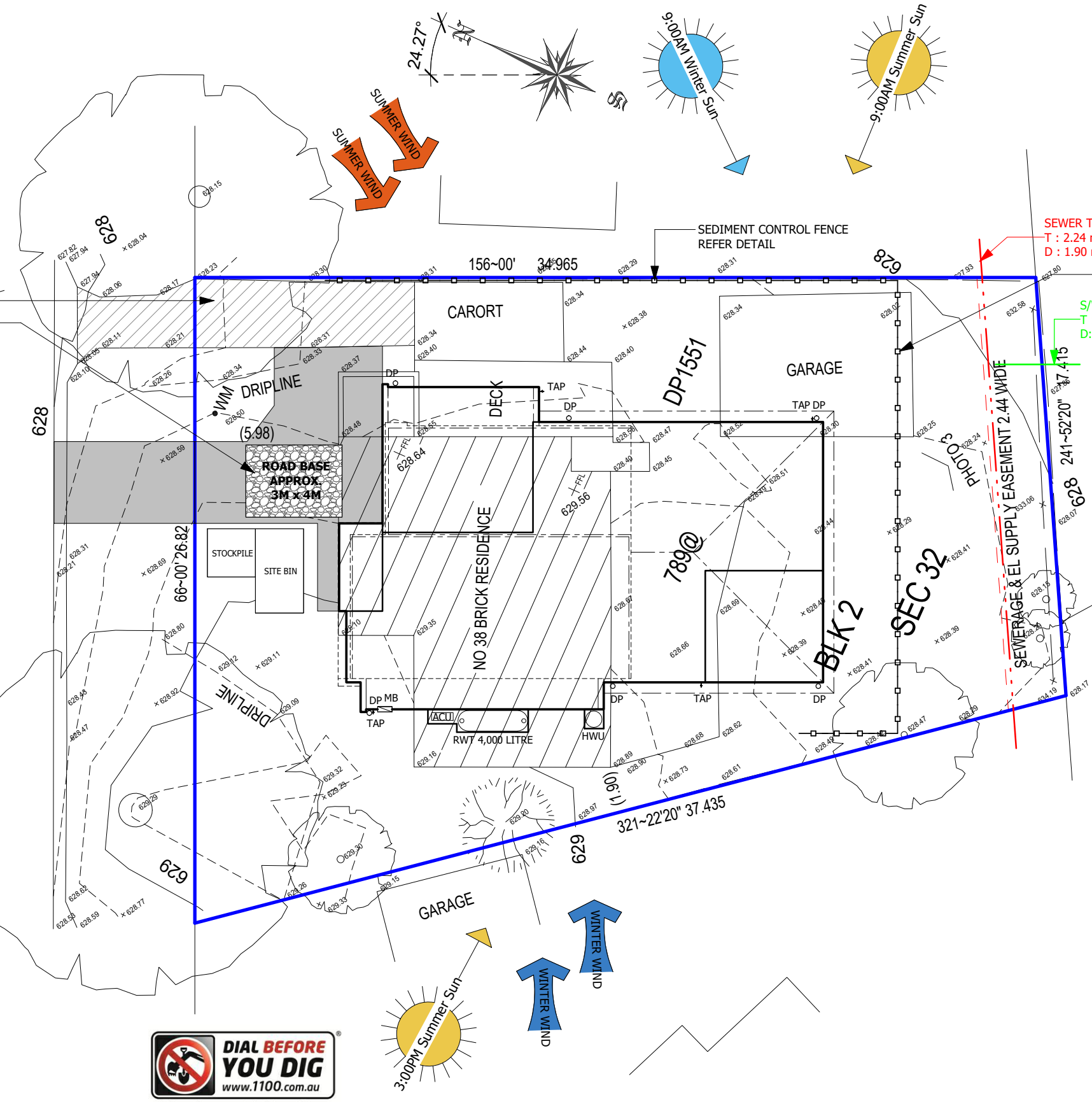
**Building Approval**  
 Is issued under section 28 of the Building Act 2004  
 CBS Residential Certifiers Pty Ltd  
 5/07/2023 Licenced No: 2019937

5/07/2023 Licenced No: 2019937



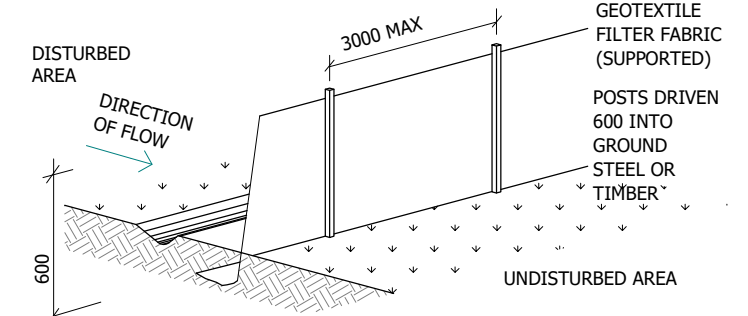
GLEDDEN STREET

S:\17\_DRAFTING\ACT\A000249 Damo-Damo 38 Gledden Street Customer L\230517 A000249 (ALP Issue F).rv



**SEDIMENT**  
 INSTALL SEDIMENT CONTROL STRUCTURES IN LOCATIONS INDICATED ON THIS DRAWING AND AS OTHERWISE REQUIRED TO CONTROL SEDIMENT DURING ALL EXCAVATIONS AND WHILST AREAS OF THE SITE ARE EXPOSED TO EROSION. REVIEW CONTROL MEASURES AND MAINTAIN STRUCTURES DURING CONSTRUCTION.

IF ADDITIONAL MEASURES ARE REQUIRED FOR EROSION AND CONTROL OR BY COUNCIL REQUIREMENTS, REFER TO "URBAN EROSION AND SEDIMENT CONTROL" GUIDELINES PREPARED BY THE DEPARTMENT OF CONSERVATION AND LAND MANAGEMENT.



**SEDIMENT FENCE DETAIL**  
 SUITABLE FOR DRAINAGE AREA OF 0.6HA MAX AND SLOPE GRADIENT OF 1:2 MAX WITH LENGTH OF 60M MAX

CLIENT INITIALS: 1. \_\_\_\_\_ 2. \_\_\_\_\_

**NOTES:**  
 PLEASE NOTE: DETAILS SHOWN ON THESE PLANS ARE INTENDED TO BE ACCURATE - HOWEVER INFORMATION WRITTEN INTO INDIVIDUAL CONTRACTS WILL TAKE PRECEDENCE OVER PLANS  
 \* ALL DIMENSIONS ARE IN MILLIMETRES  
 \* DO NOT SCALE - USE WRITTEN DIMENSIONS  
 \* ALL DIMENSIONS ARE TO STRUCTURAL FRAMES ONLY EXCLUDING FINISHED SURFACES

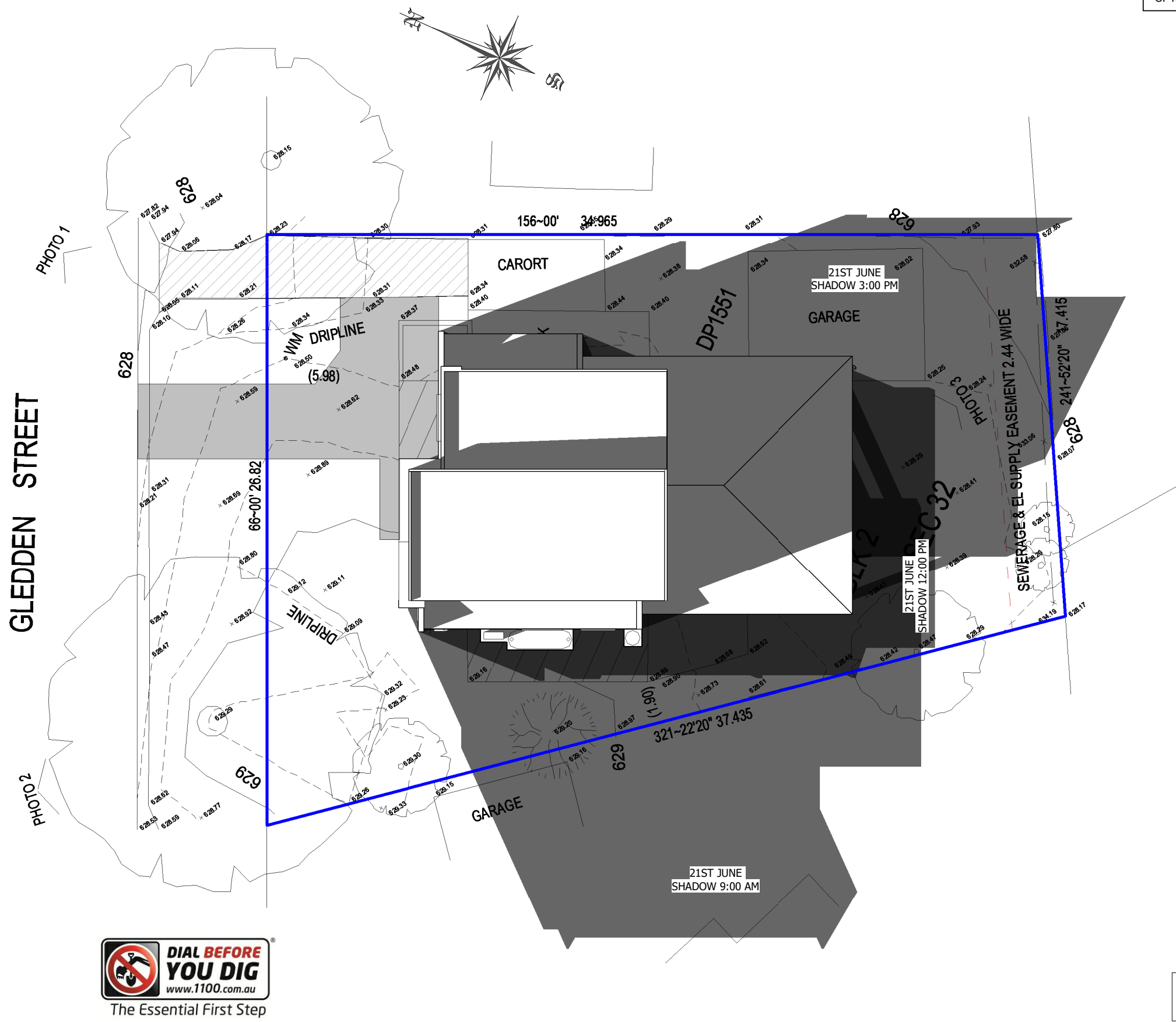
**RAWSON HOMES**  
 UNIT 6A, LEVEL 1,  
 BRINDABELLA CIRCUIT  
 2 BRINDABELLA BUSINESS PARK, ACT  
 2609  
 TELEPHONE 6225 8400  
 FAX 6257 1982

**CLIENT:**  
 MS. MEREDITH DAMO & MR. MICHAEL DAMO  
**SITE ADDRESS:**  
 BLK 2 SEC 32  
 (NO.38) GLEDDEN STREET  
 CHIFLEY, ACT 2606

**HOUSE TYPE**  
 MODEL: BEDARRA 35 MKII  
 FACADE: METRO  
 TYPE: DOUBLE GARAGE  
 SPECIFICATION: CORE V2  
**DRAWING TITLE:**  
 SEDIMENT & SITE ANALYSIS

<b>DRAWN BY:</b> MD	<b>DATE DRAWN:</b> 17.05.23	<b>CHECKED BY:</b> DD	<b>APPROVED FOR CONSTRUCTION:</b>
<b>DISTRICT NAME:</b> WODEN VALLEY		<b>SCALE:</b> 1 : 200	
<b>JOB No:</b> A000249	<b>DRWG No:</b> 12	<b>ISSUE:</b> F	

**Building Approval**  
Is issued under section 28 of the Building Act 2004  
CBS Residential Certifiers Pty Ltd  
  
5/07/2023 Licenced No: 2019937



CLIENT INITIALS: 1. \_\_\_\_\_ 2. \_\_\_\_\_

S:\17\_DRAFTING\ACT\A000249 Demo-Demo 38 Gledden Street Customer L\230517 A000249 (ALP Issue F).rvt

**NOTES:**  
PLEASE NOTE: DETAILS SHOWN ON THESE PLANS ARE INTENDED TO BE ACCURATE - HOWEVER INFORMATION WRITTEN INTO INDIVIDUAL CONTRACTS WILL TAKE PRECEDENCE OVER PLANS  
\* ALL DIMENSIONS ARE IN MILLIMETRES  
\* DO NOT SCALE - USE WRITTEN DIMENSIONS  
\* ALL DIMENSIONS ARE TO STRUCTURAL FRAMES ONLY EXCLUDING FINISHED SURFACES

**RAWSON HOMES**  
UNIT 6A, LEVEL 1,  
BRINDABELLA CIRCUIT  
2 BRINDABELLA BUSINESS PARK, ACT  
2609  
TELEPHONE 6225 8400  
FAX 6257 1982



**CLIENT:**  
MS. MEREDITH DAMO & MR. MICHAEL DAMO  
**SITE ADDRESS:**  
BLK 2 SEC 32  
(NO.38) GLEDDEN STREET  
CHIFLEY, ACT 2606

**HOUSE TYPE**  
MODEL: BEDARRA 35 MKII  
FACADE: METRO  
TYPE: DOUBLE GARAGE  
SPECIFICATION: CORE V2  
**DRAWING TITLE:**  
SHADOW DIAGRAM

<b>DRAWN BY:</b> MD	<b>DATE DRAWN:</b> 17.05.23	<b>CHECKED BY:</b> DD	<b>APPROVED FOR CONSTRUCTION:</b>
<b>DISTRICT NAME:</b> WODEN VALLEY		<b>SCALE:</b> 1 : 200	
<b>JOB No:</b> A000249	<b>DRWG No:</b> 13	<b>ISSUE:</b> F	

THIS DRAWING IS SUBJECT TO COPYRIGHT LAWS AND MAY NOT BE COPIED WITHOUT THE WRITTEN PERMISSION OF RAWSON HOMES PTY LTD-ACN 053 733 841

### LANDSCAPE LEGEND

- STAINED / PAINTED TIMBER SIDE GATE / FENCE 1.5M HIGH 20% TRANSPARENCY
- 1.5M HIGH TIMBER PALING FENCE BY OWNER AFTER HANDOVER
- 1.8M HIGH TIMBER PALING FENCE TO SIDE & REAR BOUNDARIES BY OWNER AFTER HANDOVER
- BRICK ON EDGE STRIP OLYMPUS - PGH
- MULCHED AREA HARDWOOD MULCH AREA 41.11m<sup>2</sup>
- CONCRETE 3% - 5% OXIDE MAX. AS PER DEVELOPERS GUIDELINES (FOR DRIVEWAY / PATHS)
- PLAIN CONCRETE CROSSOVER
- GRAVEL
- WL EXTERNAL WASHING LINE
- LB MASONRY MAILBOX TO DEVELOPERS GUIDELINES BY OWNER
- PLANTING AREA - 30% (236.7m<sup>2</sup>)
- 3 x 3m SOIL COVERAGE AREA FOR SMALL TREE / 5x5m SOIL COVERAGE FOR MEDIUM TREE

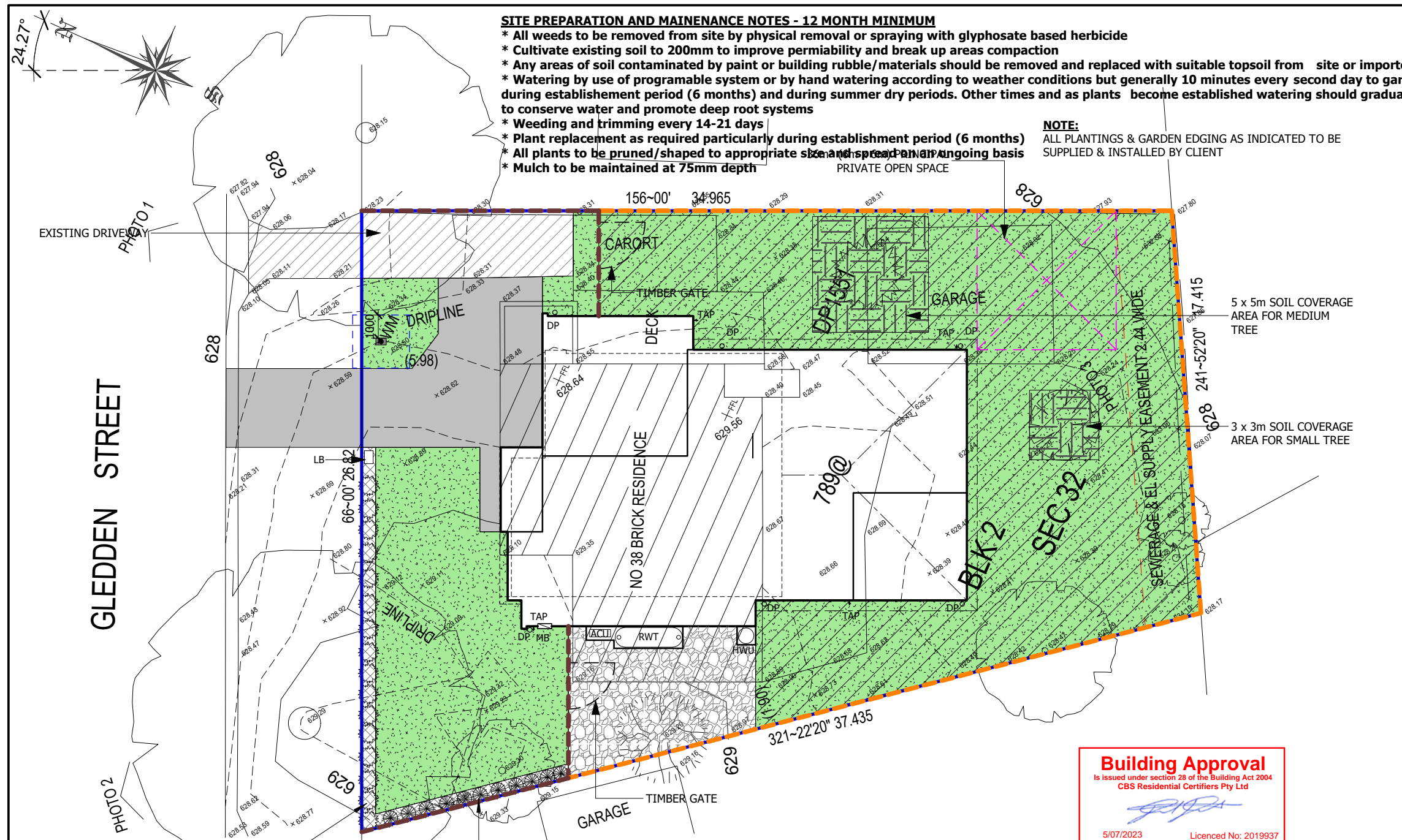
### PLANT SCHEDULE

SYMBOL	BOTANICAL NAME	POT SIZE	QUANTITY
	PHOTINIA HEDGE	20mm	16
	NEW ZEALAND FLAX	-	11
	SMALL TREE	45 LITRE	1
	MEDIUM TREE	75 LITRE	1
	TURFING (NON SYTHETIC) INCLUDING PRE GRASSED VERGE		

### SITE PREPARATION AND MAINTENANCE NOTES - 12 MONTH MINIMUM

- \* All weeds to be removed from site by physical removal or spraying with glyphosate based herbicide
- \* Cultivate existing soil to 200mm to improve permeability and break up areas compaction
- \* Any areas of soil contaminated by paint or building rubble/materials should be removed and replaced with suitable topsoil from site or imported
- \* Watering by use of programable system or by hand watering according to weather conditions but generally 10 minutes every second day to garden beds during establishment period (6 months) and during summer dry periods. Other times and as plants become established watering should gradually be reduced to conserve water and promote deep root systems
- \* Weeding and trimming every 14-21 days
- \* Plant replacement as required particularly during establishment period (6 months)
- \* All plants to be pruned/shaped to appropriate size and spread on an ongoing basis
- \* Mulch to be maintained at 75mm depth

**NOTE:** ALL PLANTINGS & GARDEN EDGING AS INDICATED TO BE SUPPLIED & INSTALLED BY CLIENT



#### Ground Preparation

Proposed garden beds must be free of building materials, rocks and rubbish. The existing soil must be cultivated to a dept of 300mm and an imported compost mix equivalent to that of "Native Low P Garden Mix" from Australian Native Landscapes, must be incorporated into the existing soil.

#### Installation of Plant Material

Plants supplied and planted are to be of a healthy and well developed condition, free from insect damage and disease. Refer to the plant schedule for a list of species to be planted. Substitutes to variety and size are not to be made. Water storing crystals shall be incorporated into the holes when planting. Water thoroughly and fertilise with Osmocote 8-9 months Low Phosphorus, after watering. Apply mulch to garden beds to a depth of min 75mm deep. All trees are to be staked and tied.

#### Installation of Paver Brick Edging

A header course of brick pavers shall be installed to separate turf from garden beds. Secure pavers on a rough mortar footing 100mm thick and insure uniform 10mm joints between each brick to create flush struck joints.

THE DEVELOPMENT WILL COMPLY WITH RULE 38A OF SINGLE DWELLING BUILDING CODE & MINIMUM OF 30% OF THE BLOCK AREA WILL BE RETAINED AS PLANTING AREA, WITH A MINIMUM DIMENSION OF 2.5m.



ALL EXISTING STREET TREES AND VERGE PLANTING TO BE PROTECTED DURING CONSTRUCTION.

CLIENT INITIALS: 1. \_\_\_\_\_ 2. \_\_\_\_\_

LANDSCAPE RATIOS	
SITE AREA	789m <sup>2</sup>
LANDSCAPED AREA	480.60m <sup>2</sup> / 60.90%
CONCRETE DRIVEWAY	48.32m <sup>2</sup>
LAWN AREA	425.10m <sup>2</sup>
GRAVEL AREA	40.40m <sup>2</sup>
MULCHED AREA	15.10m <sup>2</sup>

**NOTES:**  
PLEASE NOTE: DETAILS SHOWN ON THESE PLANS ARE INTENDED TO BE ACCURATE - HOWEVER INFORMATION WRITTEN INTO INDIVIDUAL CONTRACTS WILL TAKE PRECEDENCE OVER PLANS  
\* ALL DIMENSIONS ARE IN MILLIMETRES  
\* DO NOT SCALE - USE WRITTEN DIMENSIONS  
\* ALL DIMENSIONS ARE TO STRUCTURAL FRAMES ONLY EXCLUDING FINISHED SURFACES

**RAWSON HOMES**  
UNIT 6A, LEVEL 1,  
BRINDABELLA CIRCUIT  
2 BRINDABELLA BUSINESS PARK, ACT  
2609  
TELEPHONE 6225 8400  
FAX 6257 1982

CLIENT:  
MS. MEREDITH DAMO & MR. MICHAEL DAMO

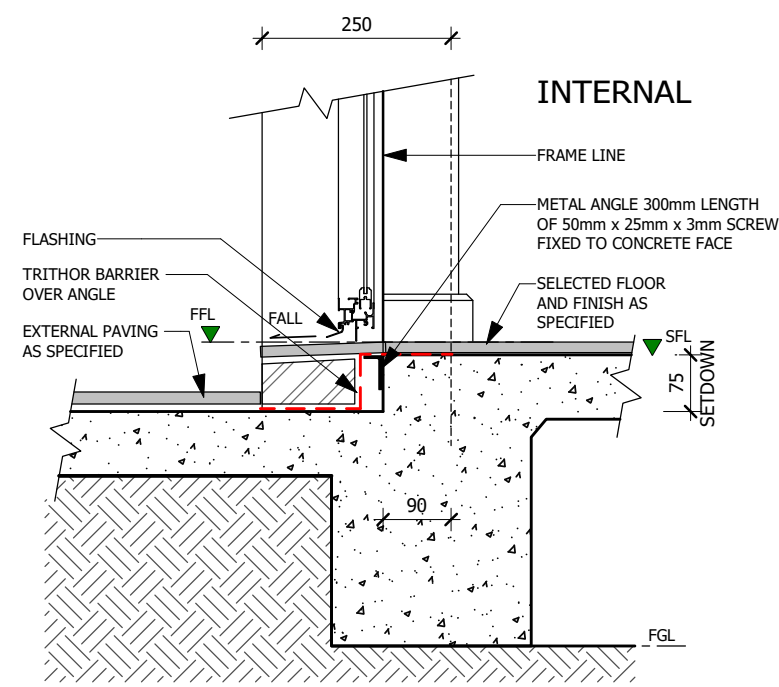
SITE ADDRESS:  
BLK 2 SEC 32  
(NO.38) GLEDDEN STREET  
CHIFLEY, ACT 2606

HOUSE TYPE  
MODEL: BEDARRA 35 MKII  
FACADE: METRO  
TYPE: DOUBLE GARAGE  
SPECIFICATION: CORE V2

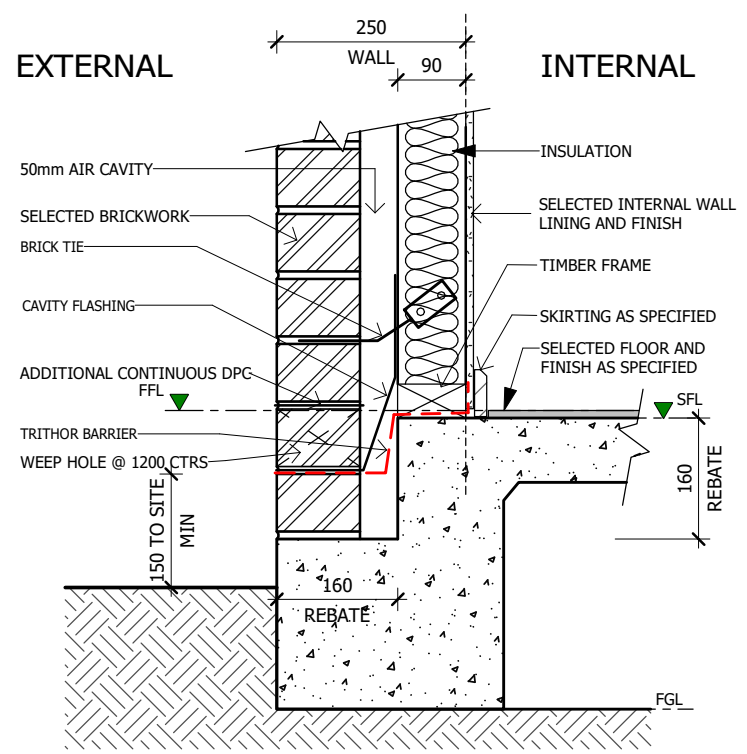
DRAWING TITLE:  
LANDSCAPE PLAN

DRAWN BY: MD	DATE DRAWN: 17.05.23	CHECKED BY: DD	APPROVED FOR CONSTRUCTION:
DISTRICT NAME: WODEN VALLEY		SCALE: 1 : 200	
JOB No: A000249	DRWG No: 14	ISSUE: F	

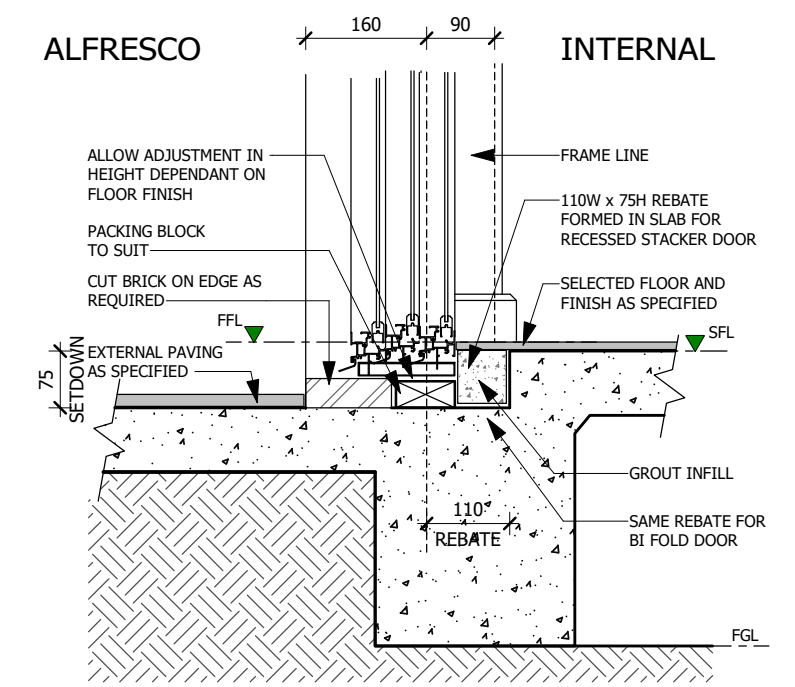
**NOTE: TYPICAL DETAILS ARE APPLICABLE TO ALL ARCHITECTURAL CONDITIONS NOT SPECIFICALLY DETAILED OR REFERENCED ON ARCHITECTURAL DRAWINGS.**



**1a** TYPICAL PORCH ENTRY DOOR  
SCALE: 1 : 10



**2a** TYPICAL REBATE DETAIL  
SCALE: 1 : 10



**3a** TYPICAL EXTERNAL DOOR THRESHOLD  
SCALE: 1 : 10

CLIENT INITIALS: 1. \_\_\_\_\_ 2. \_\_\_\_\_

**NOTES:**  
PLEASE NOTE: DETAILS SHOWN ON THESE PLANS ARE INTENDED TO BE ACCURATE - HOWEVER INFORMATION WRITTEN INTO INDIVIDUAL CONTRACTS WILL TAKE PRECEDENCE OVER PLANS  
\* ALL DIMENSIONS ARE IN MILLIMETRES  
\* DO NOT SCALE - USE WRITTEN DIMENSIONS  
\* ALL DIMENSIONS ARE TO STRUCTURAL FRAMES ONLY EXCLUDING FINISHED SURFACES

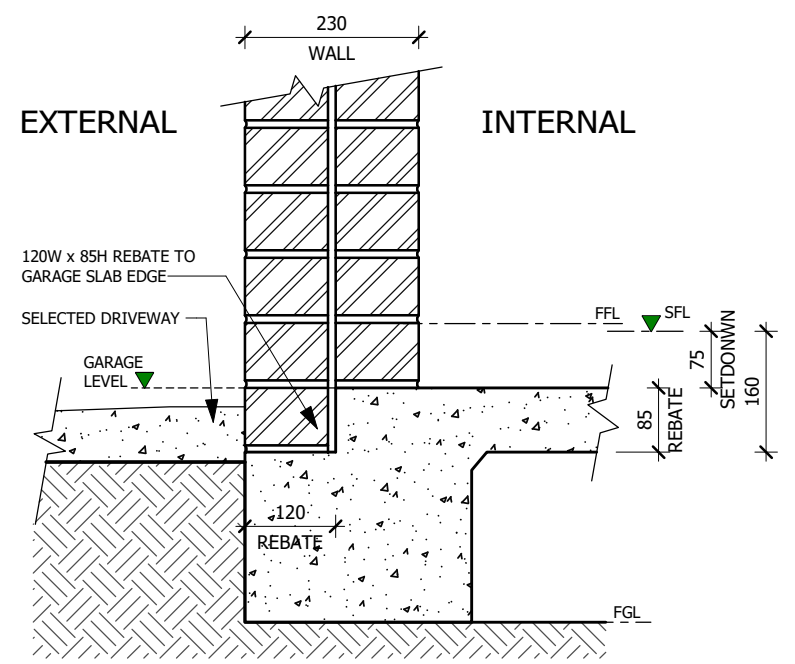
**RAWSON HOMES**  
UNIT 6A, LEVEL 1,  
BRINDABELLA CIRCUIT  
2 BRINDABELLA BUSINESS PARK, ACT  
2609  
TELEPHONE 6225 8400  
FAX 6257 1982



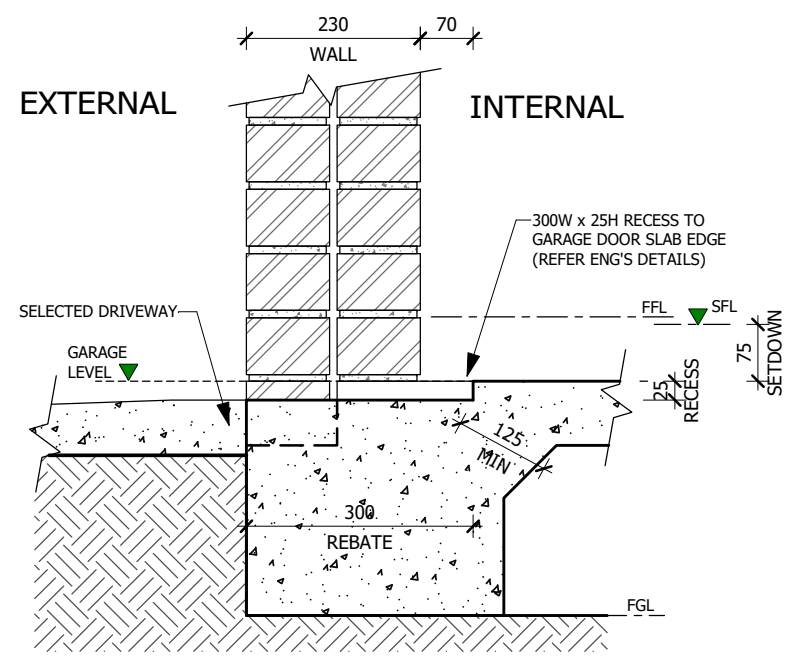
CLIENT:  
MS. MEREDITH DAMO & MR. MICHAEL DAMO  
SITE ADDRESS:  
BLK 2 SEC 32  
(NO.38) GLEDDEN STREET  
CHIFLEY, ACT 2606

HOUSE TYPE  
MODEL: BEDARRA 35 MKII  
FACADE: METRO  
TYPE: DOUBLE GARAGE  
SPECIFICATION: CORE V2  
DRAWING TITLE:  
SLAB DETAILS

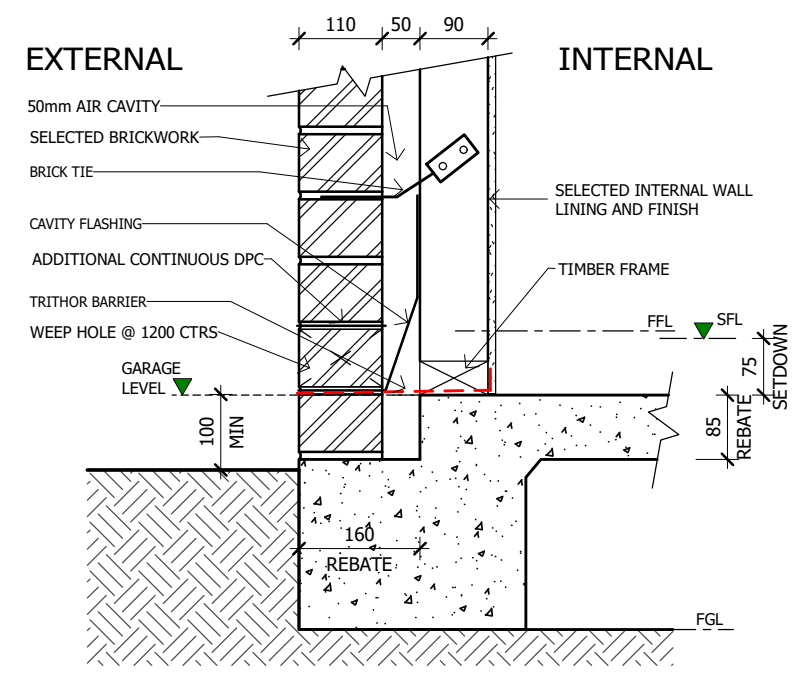
DRAWN BY: MD	DATE DRAWN: 17.05.23	CHECKED BY: DD	APPROVED FOR CONSTRUCTION:
DISTRICT NAME: WODEN VALLEY		SCALE: 1 : 10	
JOB No: A000249	DRWG No: D1	ISSUE: F	



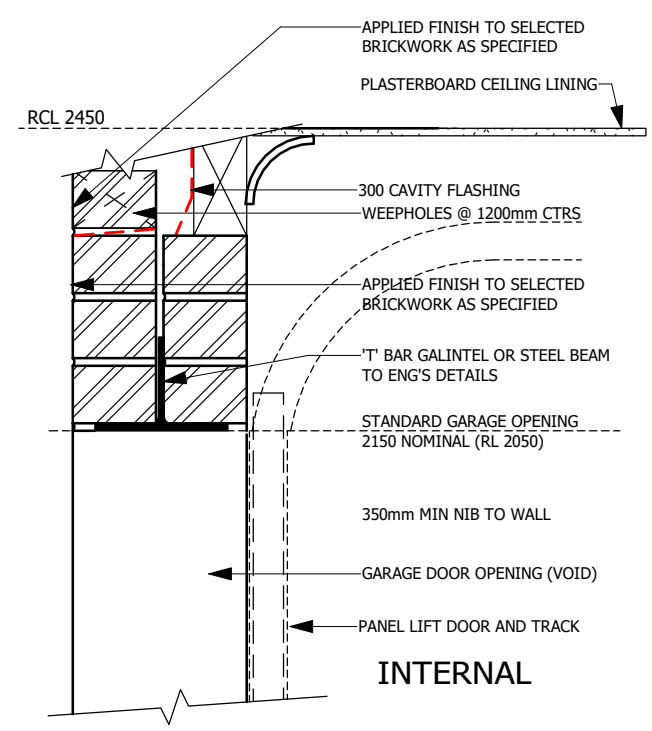
**1a** TYPICAL GARAGE REBATE (FRONT/S)  
SCALE: 1 : 10



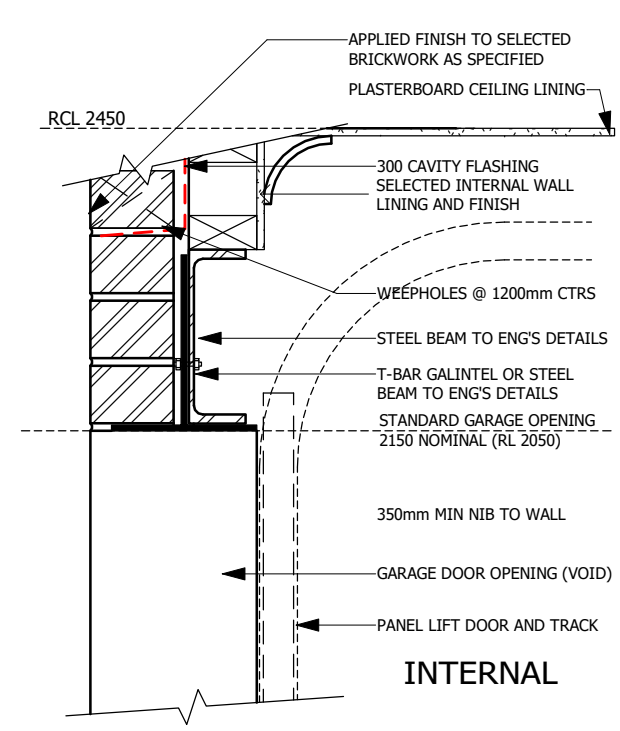
**2a** TYPICAL GARAGE RECESS (FRONT/O)  
SCALE: 1 : 10



**3a** TYPICAL GARAGE REBATE (SIDE)  
SCALE: 1 : 10



**4a** GARAGE - 230 TYPICAL  
SCALE: 1 : 10



**5a** GARAGE - 230 STRUCTURAL  
SCALE: 1 : 10

CLIENT INITIALS: 1. \_\_\_\_\_ 2. \_\_\_\_\_

**NOTES:**  
PLEASE NOTE: DETAILS SHOWN ON THESE PLANS ARE INTENDED TO BE ACCURATE - HOWEVER INFORMATION WRITTEN INTO INDIVIDUAL CONTRACTS WILL TAKE PRECEDENCE OVER PLANS  
\* ALL DIMENSIONS ARE IN MILLIMETRES  
\* DO NOT SCALE - USE WRITTEN DIMENSIONS  
\* ALL DIMENSIONS ARE TO STRUCTURAL FRAMES ONLY EXCLUDING FINISHED SURFACES

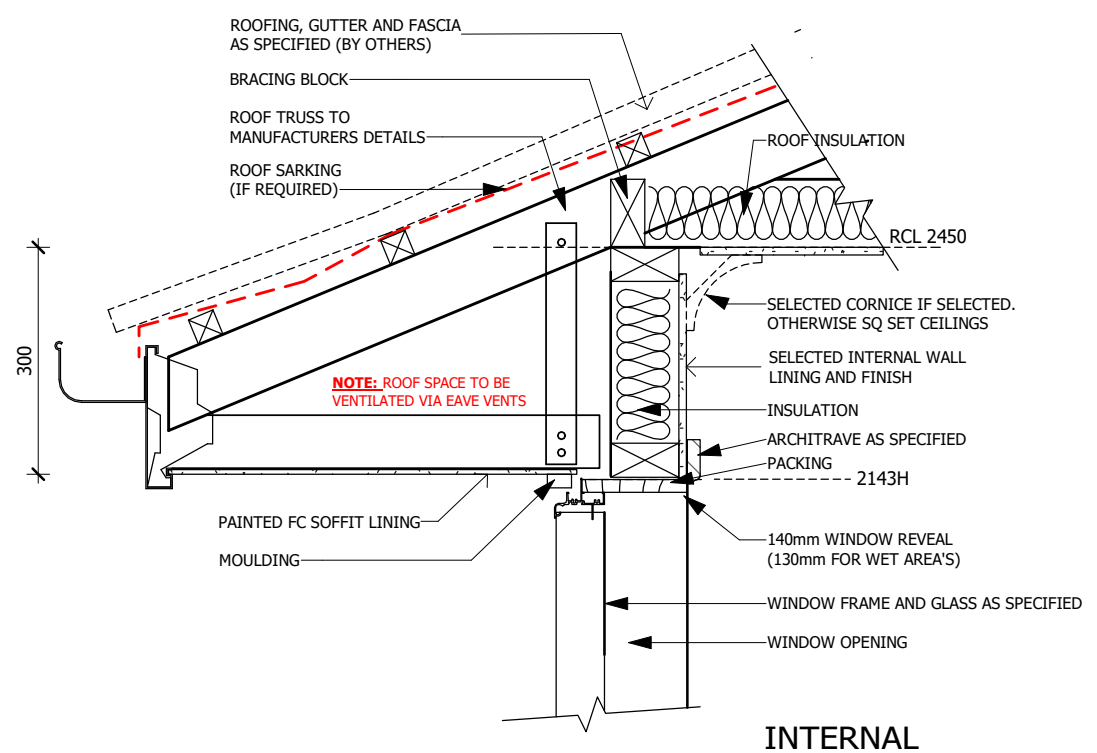
**RAWSON HOMES**  
UNIT 6A, LEVEL 1,  
BRINDABELLA CIRCUIT  
2 BRINDABELLA BUSINESS PARK, ACT  
2609  
TELEPHONE 6225 8400  
FAX 6257 1982



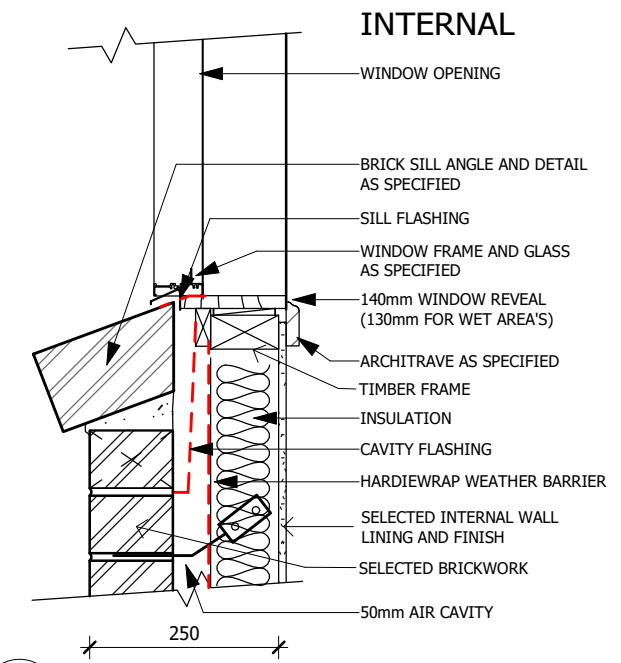
**CLIENT:**  
MS. MEREDITH DAMO & MR. MICHAEL DAMO  
**SITE ADDRESS:**  
BLK 2 SEC 32  
(NO.38) GLEDDEN STREET  
CHIFLEY, ACT 2606

**HOUSE TYPE**  
MODEL: BEDARRA 35 MKII  
FACADE: METRO  
TYPE: DOUBLE GARAGE  
SPECIFICATION: CORE V2  
**DRAWING TITLE:**  
SLAB DETAILS GARAGE

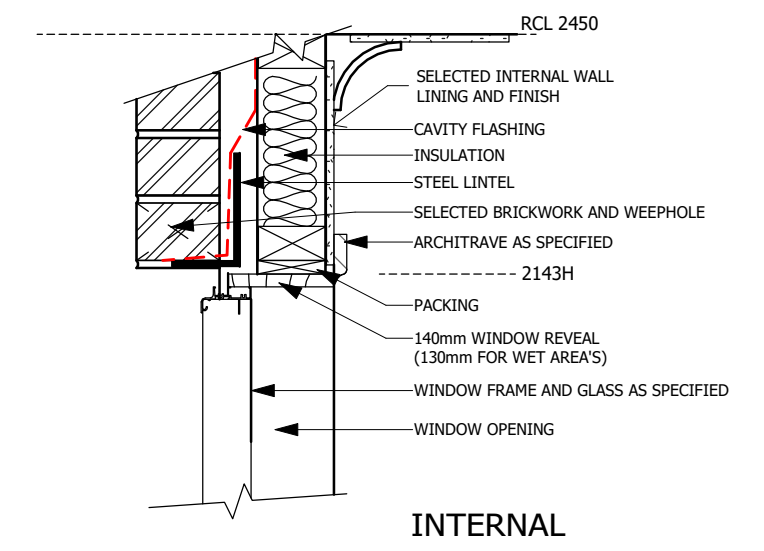
<b>DRAWN BY:</b> MD	<b>DATE DRAWN:</b> 17.05.23	<b>CHECKED BY:</b> DD	<b>APPROVED FOR CONSTRUCTION:</b>
<b>DISTRICT NAME:</b> WODEN VALLEY		<b>SCALE:</b> 1 : 10	
<b>JOB No:</b> A000249	<b>DRWG No:</b> D2	<b>ISSUE:</b> F	



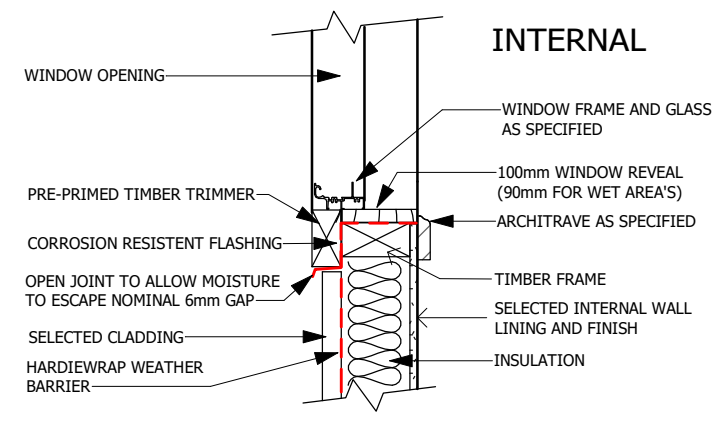
**1a** WINDOW HEAD - AT EAVES  
SCALE: 1 : 10



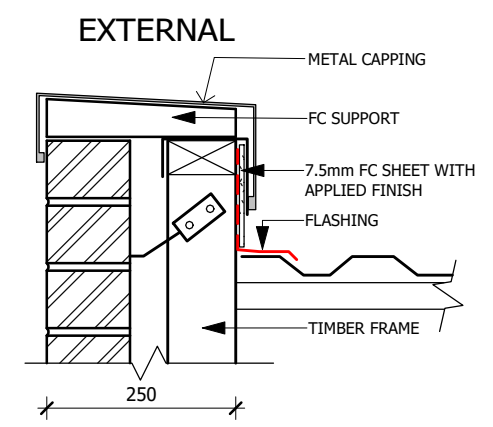
**2a** WINDOW TYPICAL SILL - ANGLE  
SCALE: 1 : 10



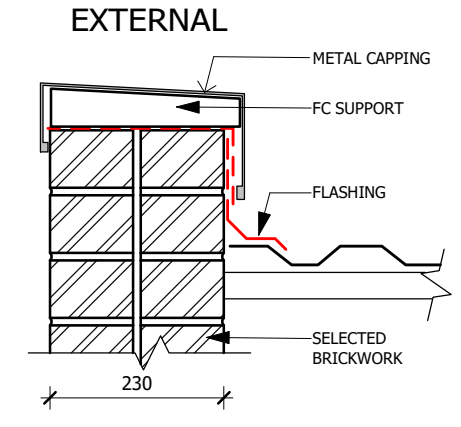
**3a** WINDOW HEAD - VENEER  
SCALE: 1 : 10



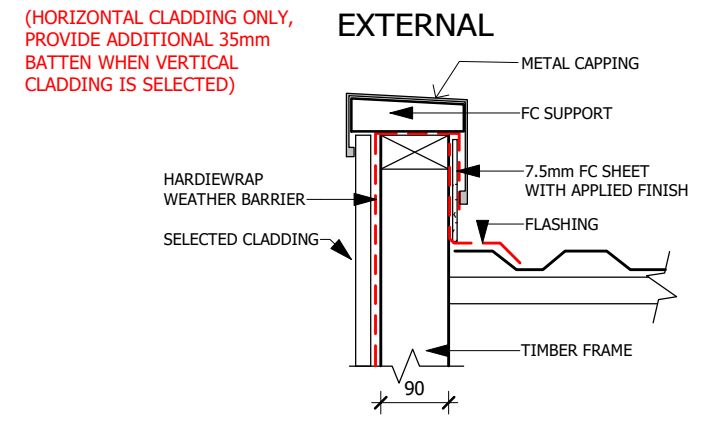
**4a** WINDOW SILL - CLADDING  
SCALE: 1 : 10



**5a** BRICK VENEER PARAPET  
SCALE: 1 : 10



**6a** DOUBLE BRICK PARAPET  
SCALE: 1 : 10



**7a** PARAPET WITH CLADDING  
SCALE: 1 : 10

CLIENT INITIALS: 1. \_\_\_\_\_ 2. \_\_\_\_\_

NOTES:  
PLEASE NOTE: DETAILS SHOWN ON THESE PLANS ARE INTENDED TO BE ACCURATE - HOWEVER INFORMATION WRITTEN INTO INDIVIDUAL CONTRACTS WILL TAKE PRECEDENCE OVER PLANS  
\* ALL DIMENSIONS ARE IN MILLIMETRES  
\* DO NOT SCALE - USE WRITTEN DIMENSIONS  
\* ALL DIMENSIONS ARE TO STRUCTURAL FRAMES ONLY EXCLUDING FINISHED SURFACES

**RAWSON HOMES**  
UNIT 6A, LEVEL 1,  
BRINDABELLA CIRCUIT  
2 BRINDABELLA BUSINESS PARK, ACT  
2609  
TELEPHONE 6225 8400  
FAX 6257 1982

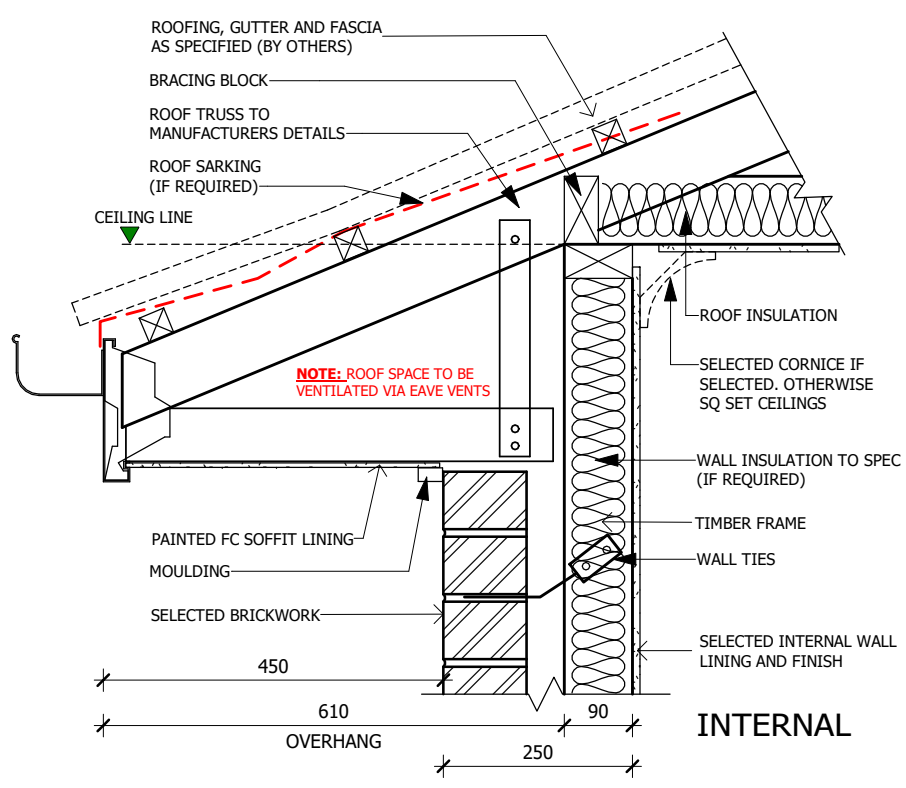
CLIENT:  
MS. MEREDITH DAMO & MR. MICHAEL DAMO  
SITE ADDRESS:  
BLK 2 SEC 32  
(NO.38) GLEDDEN STREET  
CHIFLEY, ACT 2606

HOUSE TYPE  
MODEL: BEDARRA 35 MKII  
FACADE: METRO  
TYPE: DOUBLE GARAGE  
SPECIFICATION: CORE V2  
DRAWING TITLE:  
OPENINGS/PARAPET DETAILS

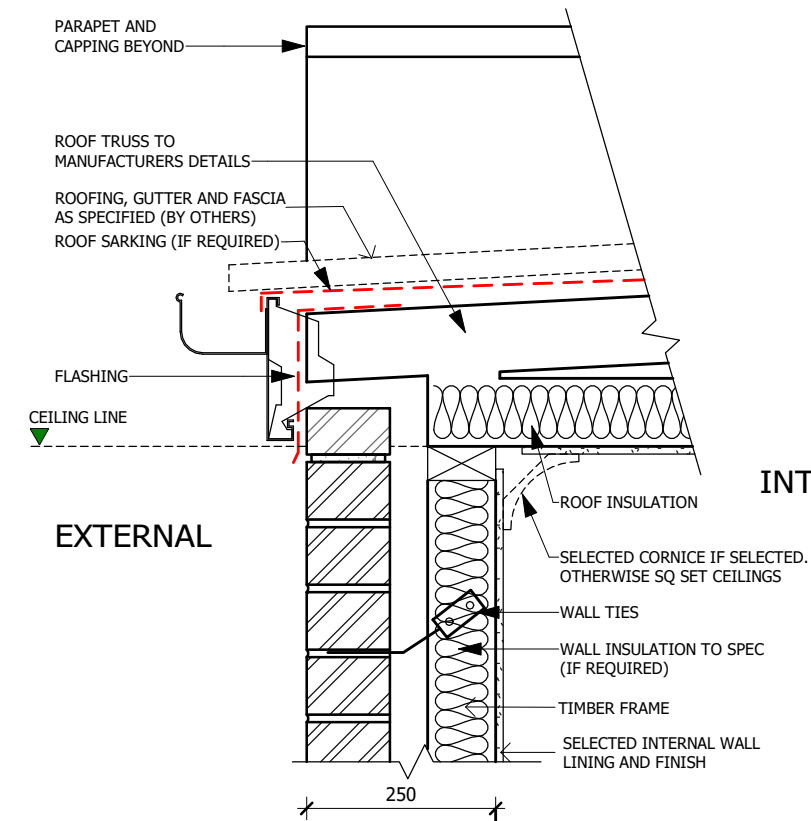
DRAWN BY: MD	DATE DRAWN: 17.05.23	CHECKED BY: DD	APPROVED FOR CONSTRUCTION:
DISTRICT NAME: WODEN VALLEY		SCALE: 1 : 10	
JOB No: A000249	DRWG No: D3	ISSUE: F	

**NOTE: TYPICAL DETAILS ARE APPLICABLE TO ALL ARCHITECTURAL CONDITIONS NOT SPECIFICALLY DETAILED OR REFERENCED ON ARCHITECTURAL DRAWINGS.**

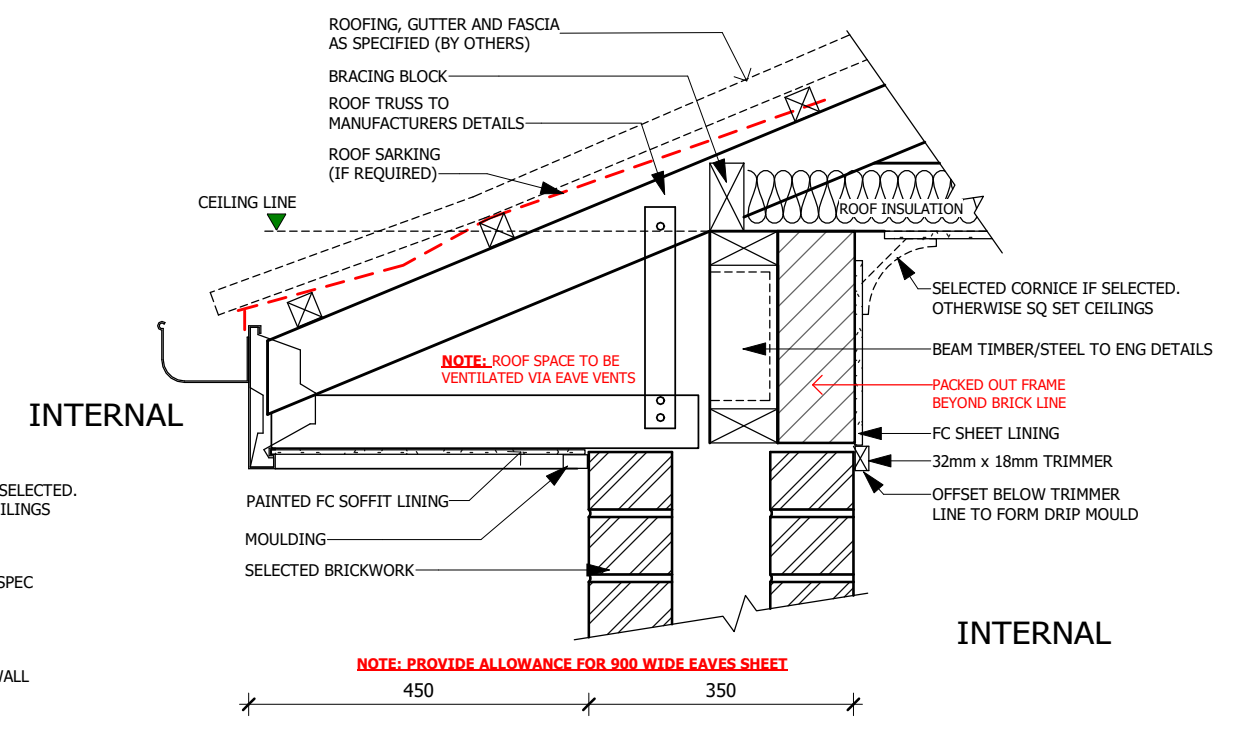
**NOTE: DETAILS SHOWN ARE FOR STANDARD 22.5° PITCH ROOF, FOR OTHER PITCHES PROVIDE ADJUSTMENT IN EAVE DROP OFF TO SUIT.**



**1a** TYPICAL VENEER EAVES DETAIL  
SCALE: 1 : 10



**2a** GUTTER DETAIL\_NO EAVES  
SCALE: 1 : 10



**3a** ALFRESCO EAVES DETAIL  
SCALE: 1 : 10

CLIENT INITIALS: 1. \_\_\_\_\_ 2. \_\_\_\_\_

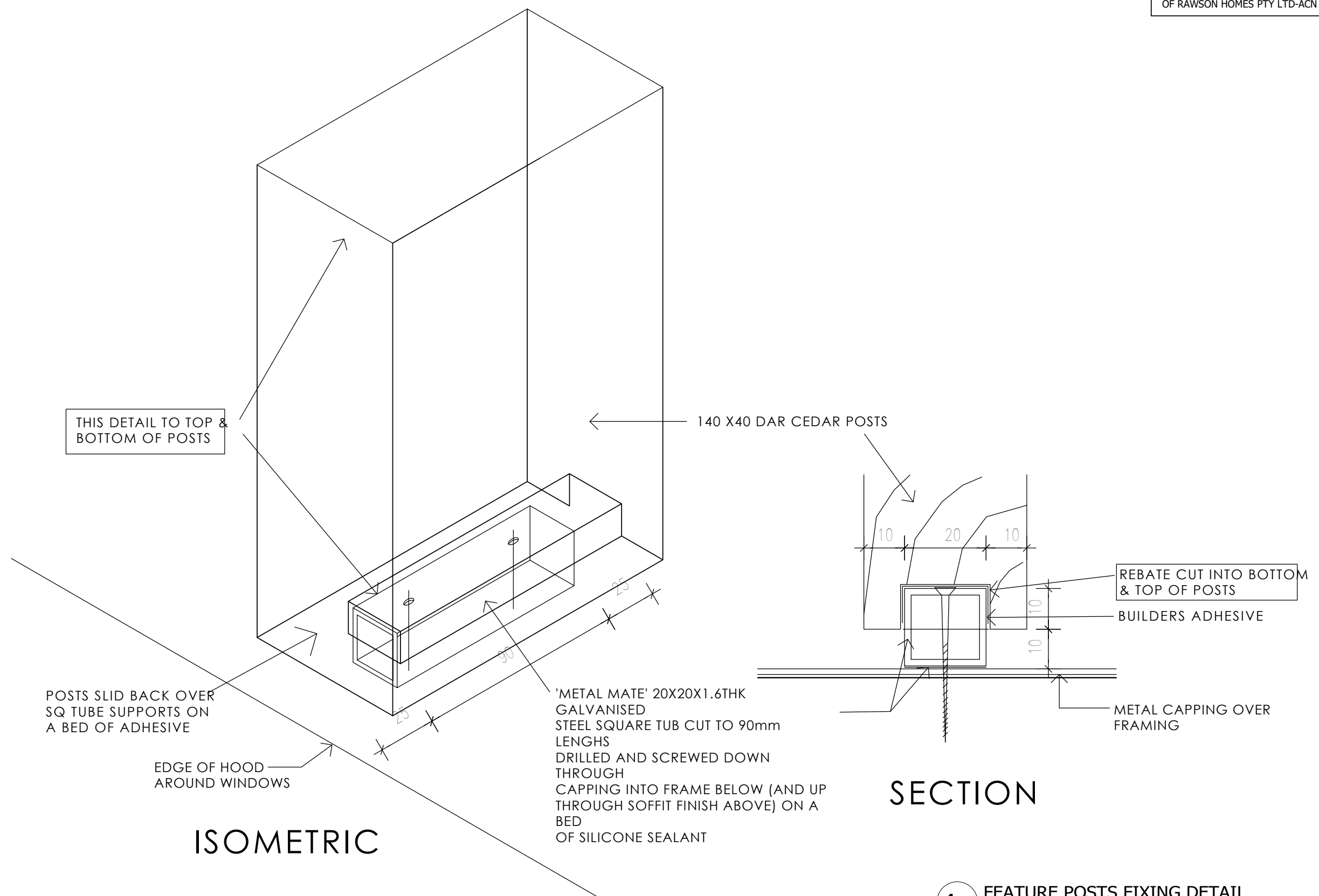
**NOTES:**  
PLEASE NOTE: DETAILS SHOWN ON THESE PLANS ARE INTENDED TO BE ACCURATE - HOWEVER INFORMATION WRITTEN INTO INDIVIDUAL CONTRACTS WILL TAKE PRECEDENCE OVER PLANS  
\* ALL DIMENSIONS ARE IN MILLIMETRES  
\* DO NOT SCALE - USE WRITTEN DIMENSIONS  
\* ALL DIMENSIONS ARE TO STRUCTURAL FRAMES ONLY EXCLUDING FINISHED SURFACES

**RAWSON HOMES**  
UNIT 6A, LEVEL 1,  
BRINDABELLA CIRCUIT  
2 BRINDABELLA BUSINESS PARK, ACT  
2609  
TELEPHONE 6225 8400  
FAX 6257 1982

CLIENT:  
MS. MEREDITH DAMO & MR. MICHAEL DAMO  
SITE ADDRESS:  
BLK 2 SEC 32  
(NO.38) GLEDDEN STREET  
CHIFLEY, ACT 2606

HOUSE TYPE  
MODEL: BEDARRA 35 MKII  
FACADE: METRO  
TYPE: DOUBLE GARAGE  
SPECIFICATION: CORE V2  
DRAWING TITLE:  
EAVES DETAILS

DRAWN BY: MD	DATE DRAWN: 17.05.23	CHECKED BY: DD	APPROVED FOR CONSTRUCTION:
DISTRICT NAME: WODEN VALLEY		SCALE: 1 : 10	
JOB No: A000249	DRWG No: D4	ISSUE: F	



THIS DETAIL TO TOP &  
BOTTOM OF POSTS

140 X40 DAR CEDAR POSTS

REBATE CUT INTO BOTTOM  
& TOP OF POSTS

BUILDERS ADHESIVE

METAL CAPPING OVER  
FRAMING

POSTS SLID BACK OVER  
SQ TUBE SUPPORTS ON  
A BED OF ADHESIVE

EDGE OF HOOD  
AROUND WINDOWS

'METAL MATE' 20X20X1.6THK  
GALVANISED  
STEEL SQUARE TUB CUT TO 90mm  
LENGHS  
DRILLED AND SCREWED DOWN  
THROUGH  
CAPPING INTO FRAME BELOW (AND UP  
THROUGH SOFFIT FINISH ABOVE) ON A  
BED  
OF SILICONE SEALANT

SECTION

ISOMETRIC

**1a** FEATURE POSTS FIXING DETAIL  
SCALE: 1 : 1

CLIENT INITIALS: 1. \_\_\_\_\_ 2. \_\_\_\_\_

NOTES:  
PLEASE NOTE: DETAILS SHOWN ON THESE PLANS ARE INTENDED  
TO BE ACCURATE - HOWEVER INFORMATION WRITTEN INTO  
INDIVIDUAL CONTRACTS WILL TAKE PRECEDENCE OVER PLANS  
\* ALL DIMENSIONS ARE IN MILLIMETRES  
\* DO NOT SCALE - USE WRITTEN DIMENSIONS  
\* ALL DIMENSIONS ARE TO STRUCTURAL FRAMES ONLY EXCLUDING  
FINISHED SURFACES

**RAWSON HOMES**  
UNIT 6A, LEVEL 1,  
BRINDABELLA CIRCUIT  
2 BRINDABELLA BUSINESS PARK, ACT  
2609  
TELEPHONE 6225 8400  
FAX 6257 1982



CLIENT:  
MS. MEREDITH DAMO & MR. MICHAEL DAMO  
SITE ADDRESS:  
BLK 2 SEC 32  
(NO.38) GLEDDEN STREET  
CHIFLEY, ACT 2606

HOUSE TYPE  
MODEL: BEDARRA 35 MKII  
FACADE: METRO  
TYPE: DOUBLE GARAGE  
SPECIFICATION: CORE V2  
DRAWING TITLE:  
FRONT FACADE DETAILS

DRAWN BY: MD	DATE DRAWN: 17.05.23	CHECKED BY: DD	APPROVED FOR CONSTRUCTION:
DISTRICT NAME: WODEN VALLEY		SCALE: 1 : 1	
JOB No: A000249	DRWG No: D5	ISSUE: F	

## WATERPROOFING REQS.:

2019 BCA VOLUME 2  
Performance Requirements P2.4.1 Wet Areas  
Compliance with acceptable construction practice 3.8.1 Wet areas and external waterproofing satisfies performance requirement P2.4.1.

### Part 3.8.1

Is satisfied if construction of wet areas is in accordance with Table 3.8.1.1 and AS3740

#### Shower Areas

Enclosed and unenclosed (including shower over bath) must consider the following:

- **Floor** of the shower area must be waterproof - including any hob or stepdown.
- **Walls** to be water resistant to not less than 1800 mm above finished floor level and waterproof > not less than 150 mm above floor substrate; or > not less than 25 mm above maximum retained water level; and
- **Wall junctions and joints** to be waterproof not less than 40 mm either side of the junction.
- **Wall/floor junctions** to be waterproof.
- **Penetrations** to be waterproof - Protection caps must be removed prior to waterproofing (see Figure 1).

#### Outside shower areas

- **Floor concrete** and compressed fibre-cement sheet flooring must be water resistant.
- **Timber floors** including particleboard, plywood and other timber-based flooring materials must be waterproof.
- **Wall/floor junctions** must be waterproof.
- **Bathroom entry** to be waterproof min 25mm above finished floor surface.
- **The doorway waterstop** requires the base to be sealed to floor and upstand flush with finished floor surface (see Figure 2)

#### Areas adjacent to baths and spas (vessel)

- **Floor** concrete, compressed fibre-cement and fibre-cement sheet – must be water resistant.
- **Timber floors** including particleboard, plywood and other timber-based flooring materials – must be waterproof.
- **Walls** water resistant to a height of not less than 150 mm above the vessel, for the extent of the vessel, where the vessel is within 75 mm of a wall. All exposed surfaces below vessel lip – must be water resistant.
- **Wall junctions and joints** to be water resistant when located within 150 mm above a vessel for the extent of the vessel.
- **Wall/floor junctions** to be water resistant for the extent of the vessel.
- **Penetrations** tap and spout penetrations to be waterproof where they occur in horizontal surfaces. Protection caps must be removed prior to waterproofing (see figure 1).

#### Inserted baths and spas (see figure 3)

- **Floor** Waterproof shelf area, incorporating waterstop under the bath lip.
- **Wall** to be waterproof to not less than 150 mm above the lip of the bath or spa; and
- no requirement under bath.
- **Wall junctions and joints** within 150 mm above bath or spa; and no requirement under bath.
- **Penetrations** tap and spout penetrations to be waterproof where they occur in horizontal surfaces. Protection caps must be removed prior to waterproofing (see figure 1).

#### Laundries and WCs

- **Floor** required to be water resistant.
- **Wall/floor junctions** required to be water resistant.

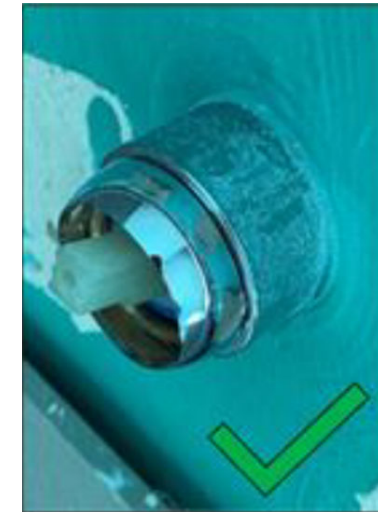
#### Walls adjoining sink, basin or laundry tub (vessel)

- **Walls** to be water resistant to a height of not less than 150 mm above the vessel, for the extent of the vessel, where the vessel is within 75 mm of a wall.
- **Wall junctions** waterproof where a vessel is fixed to a wall.
- **Penetrations** Waterproof where they occur in surfaces required to be waterproof or water resistant.

#### Materials — waterproof

The following materials used in waterproofing systems are deemed to be waterproof:

- Stainless steel.
- Flexible waterproof sheet flooring material with waterproof joints.
- Membranes complying with AS/NZS 4858.
- Waterproof sealant.



CLIENT INITIALS: 1. \_\_\_\_\_ 2. \_\_\_\_\_

#### NOTES:

PLEASE NOTE: DETAILS SHOWN ON THESE PLANS ARE INTENDED TO BE ACCURATE - HOWEVER INFORMATION WRITTEN INTO INDIVIDUAL CONTRACTS WILL TAKE PRECEDENCE OVER PLANS  
\* ALL DIMENSIONS ARE IN MILLIMETRES  
\* DO NOT SCALE - USE WRITTEN DIMENSIONS  
\* ALL DIMENSIONS ARE TO STRUCTURAL FRAMES ONLY EXCLUDING FINISHED SURFACES

### RAWSON HOMES



UNIT 6A, LEVEL 1,  
BRINDABELLA CIRCUIT  
2 BRINDABELLA BUSINESS PARK, ACT  
2609  
TELEPHONE 6225 8400  
FAX 6257 1982

CLIENT:  
MS. MEREDITH DAMO & MR. MICHAEL DAMO

SITE ADDRESS:  
BLK 2 SEC 32  
(NO.38) GLEDDEN STREET  
CHIFLEY, ACT 2606

HOUSE TYPE  
MODEL: BEDARRA 35 MKII  
FACADE: METRO  
TYPE: DOUBLE GARAGE  
SPECIFICATION: CORE V2

DRAWING TITLE:  
WATERPROOFING DETAIL

DRAWN BY: MD	DATE DRAWN: 17.05.23	CHECKED BY: DD	APPROVED FOR CONSTRUCTION:
DISTRICT NAME: WODEN VALLEY		SCALE:	
JOB No: A000249	DRWG No: D6	ISSUE: F	



# Certificate of Occupancy and Use

Certificate No.: **B20251773C1**

**Access Canberra Land, Planning and  
Building Services**

ABN 16 479 763 216  
8 Darling Street Mitchell  
GPO Box 158 ACT 2601  
[www.act.gov.au/accesscbr](http://www.act.gov.au/accesscbr)

This Certificate is issued in accordance with Section 69 (2) of the Building Act 2004.

The building work listed on this certificate has been completed substantially in accordance with the prescribed requirements and is considered fit for occupation and use.

Unit	Block	Section	Division (Suburb)	District	Jurisdiction
	2	32	CHIFLEY	WODEN VALLEY	Australian Capital Territory

Plans
B20251773/A

## Building Works

Class of Occupancy	Nature of Work	Project Item Description	Other Description	Type Of Const.	Unit	BCN ID	Builder
10b	New	DA EXEMPT-SWIMMING POOL		NA		B20251773N1	THOMAS OLIVER JONES

## Comments

## Important Note:

The issue, under this Part, of a certificate in respect of a building or portion of a building does not affect the liability of a person to comply with the provisions of a law of the territory (including this Act) relating to the building or portion of the building.

**Issued by:** Trang Dang

**Issued on:** 13/11/2025

Delegate of the ACT Construction  
Occupations Registrar.

**SITE INFORMATION:**

SITE AREA: 789.29 m<sup>2</sup>  
 EXISTING BUILDING AREA: 124.92 m<sup>2</sup>  
 ZONING: ---

TEMPORARY BARRIER LAYOUT TO FOLLOW PERMANENT BARRIER LOCATION AS DRAWN ON SITE PLAN AS PER BUILDING REGULATIONS 2018\_REG.116.

BUILDER TO ENSURE THE POOL FILTRATION SYSTEM WILL NOT ENCRoACH THE NON-CLIMBABLE ZONE OF THE SAFETY BARRIER OR OBSTRUCT SUPERVISION WITHIN THE POOL ENCLOSURE

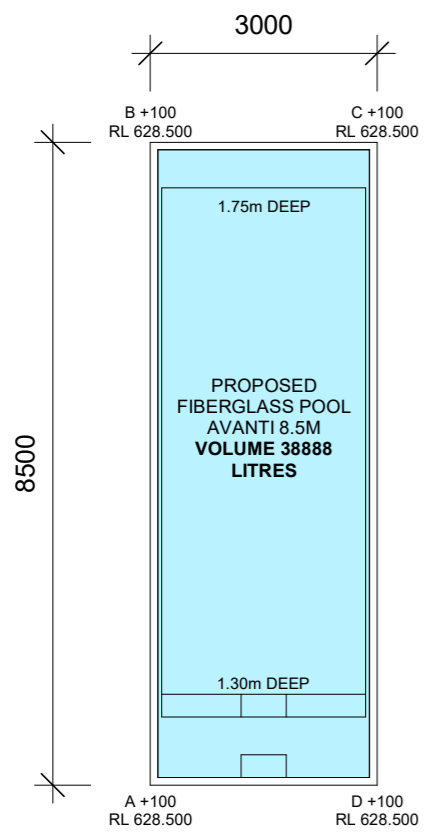
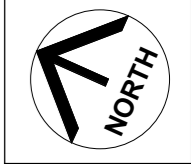
BUILDER TO ENSURE NC2'S AS PER AS 1926.1.

BUILDER TO USE A 200mm DEEP BOND BEAM IN THE EVENT A SOIL REPORT IS NOT SUPPLIED.

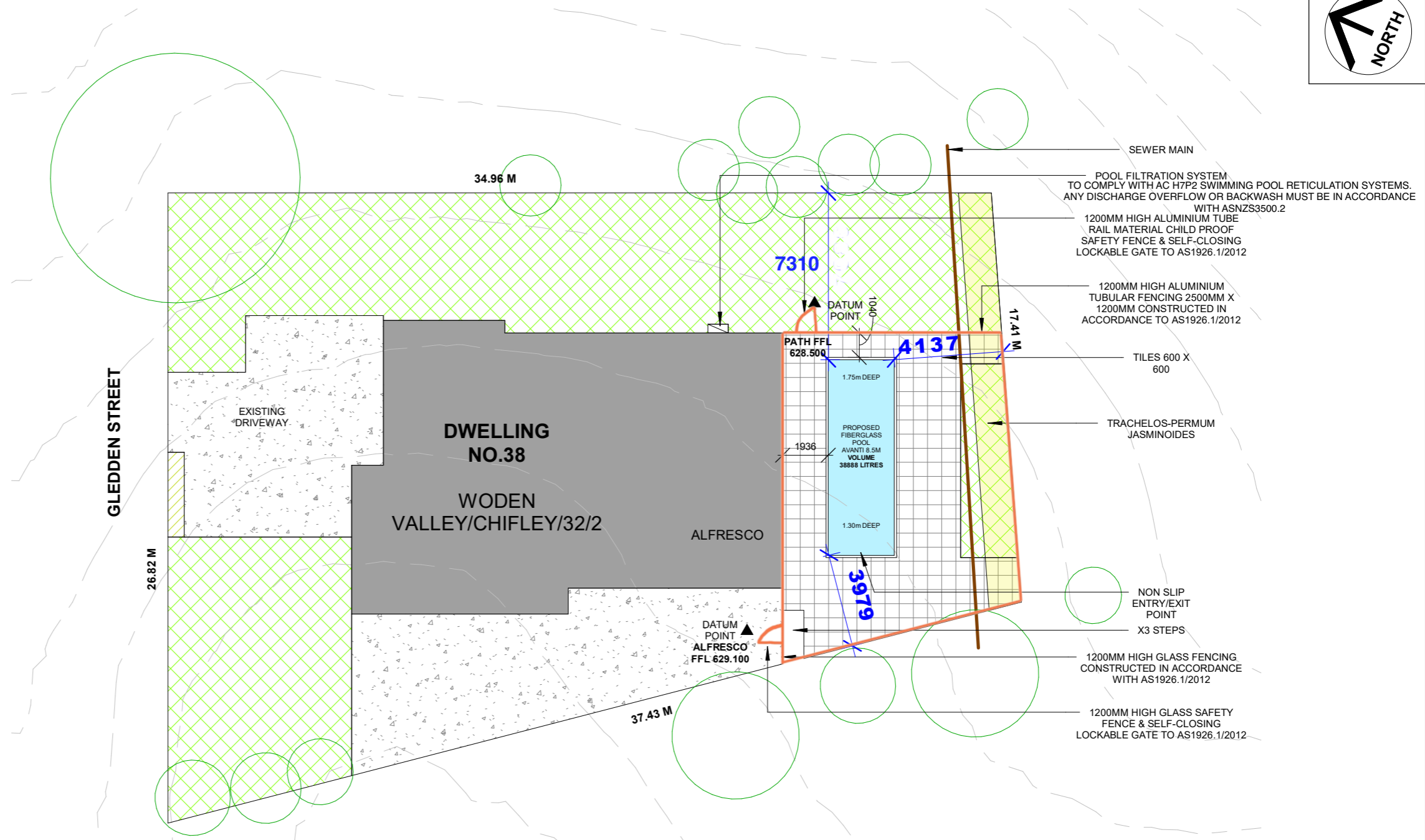
**NOTES -**  
 TEMPORARY BARRIER WILL BE PLACED ON 4 SIDES OF THE POOL  
 TEMPORARY BARRIER TO COMPLY WITH AS 1926.1



LEGEND	
	SOFT LANDSCAPE 1.5m WIDE & GREATER
	SOFT LANDSCAPE LESS THAN 1.5m WIDE
	HARDSTAND ( CONCRETE, PAVERS, GRAVEL ETC.)
	EXISTING BUILDING FOOTPRINT



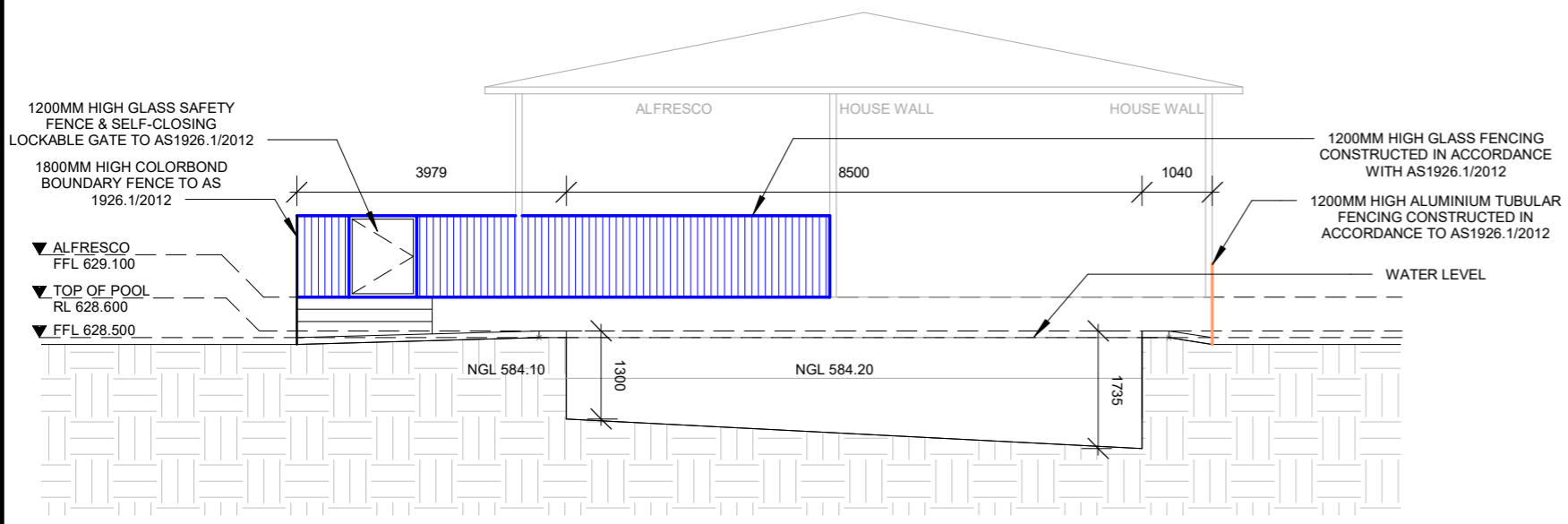
**POOL PLAN**  
 SCALE 1 : 100      2



**SITE PLAN**  
 SCALE 1 : 200      1

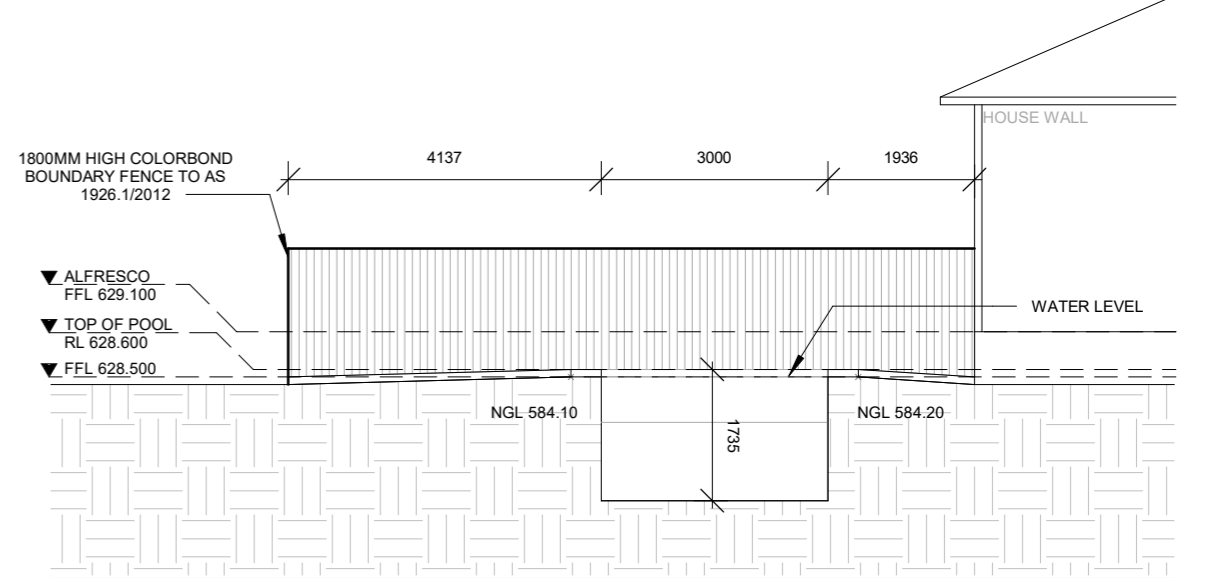
DISCLAIMER: It is the builder's responsibility to cross-check the on-site measurements with the offsets. If the measurements do not match the drawings, the builder must report it to Canibuild. When a proposed structure is close to a sewer asset, it is the builder's responsibility to verify the offset from the sewer main and ensure that it is outside the ZOI (Zone of Influence). The builder is responsible for identifying and notifying any discrepancies in the drawings prior to permitting and construction. Once construction begins, any errors or omissions are the sole responsibility of the builder. This includes, but is not limited to, existing structures, fence locations, deep and shallow ends, and the placement of additional components.

	<b>COPYRIGHT STATEMENT</b> THIS PLAN ALWAYS REMAINS THE COPYRIGHT OF DESIGNER. AND SHALL NOT BE USED OTHER THAN FOR THE PROJECT WORK INTENDED WITHOUT WRITTEN AUTHORITY. NO PART MAY BE REPRODUCED BY ANY PROCESS, NOR MAY ANY OTHER EXCLUSIVE RIGHT BE EXERCISED, WITHOUT PERMISSION. LEGAL ENFORCEMENT WILL BE TAKEN ON COPYRIGHT INFRINGEMENT.	<b>ALL DIMENSIONS ARE IN MILLIMETERS. DO NOT SCALE FROM PLANS.</b>	<b>DATE</b> 17.06.2025	<b>DESCRIPTION</b> APPROVAL	<b>REV</b> 1	<b>CLIENT'S NAME:</b> WODEN VALLEY/CHIFLEY/32/2	<b>SHEET NAME:</b> SITE PLAN	<b>JOB NO:</b> 1521012
			<b>DATE</b> 17.06.2025	<b>DESCRIPTION</b> APPROVAL	<b>REV</b> 1	<b>SITE ADDRESS:</b> 38 Gledden Street, Chifley, ACT 2606, WODEN VALLEY/CHIFLEY/32/2	<b>DESIGN NAME:</b> Avanti 8.5	<b>RANGE:</b> PROJECT STAGE: APPROVAL



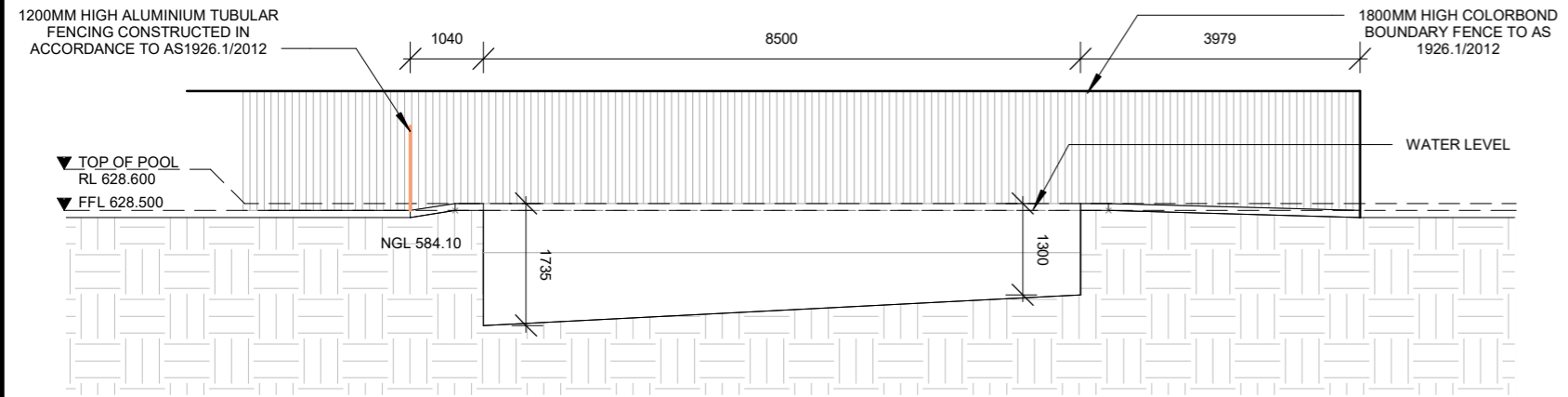
**SOUTH ELEVATION**

SCALE 1 : 100 1



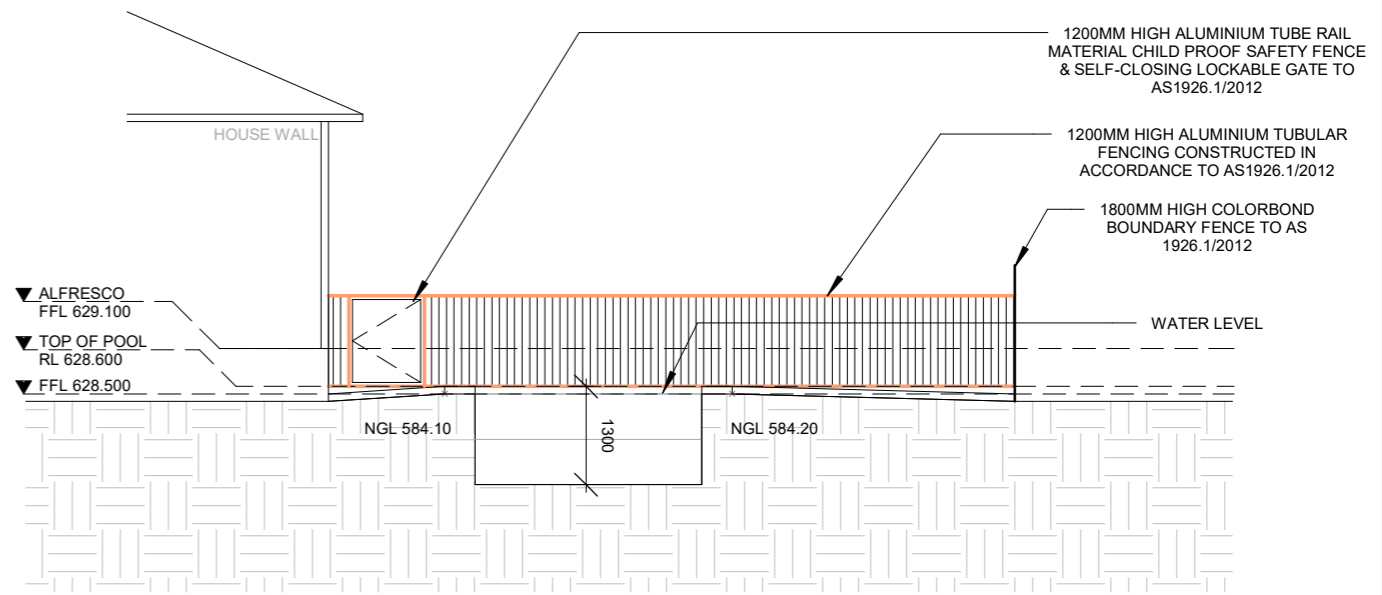
**EAST ELEVATION**

SCALE 1 : 100 2



**NORTH ELEVATION**

SCALE 1 : 100 3



**WEST ELEVATION**

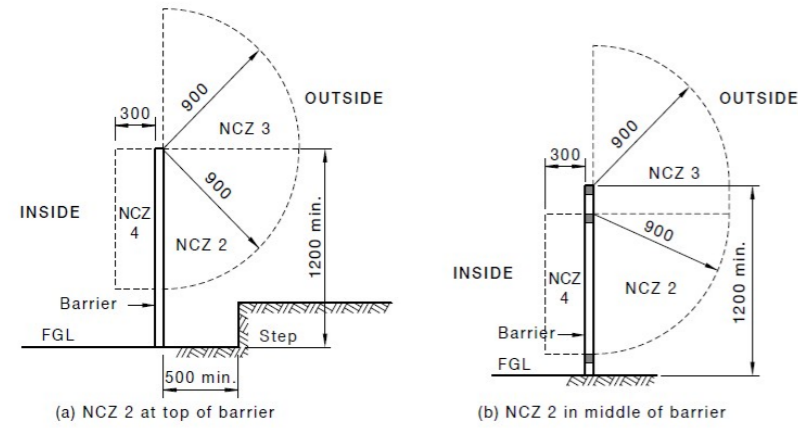
SCALE 1 : 100 4

	<p><b>COPYRIGHT STATEMENT</b></p> <p>THIS PLAN ALWAYS REMAINS THE COPYRIGHT OF DESIGNER. AND SHALL NOT BE USED OTHER THAN FOR THE PROJECT WORK INTENDED WITHOUT WRITTEN AUTHORITY. NO PART MAY BE REPRODUCED BY ANY PROCESS, NOR MAY ANY OTHER EXCLUSIVE RIGHT BE EXERCISED, WITHOUT PERMISSION. LEGAL ENFORCEMENT WILL BE TAKEN ON COPYRIGHT INFRINGEMENT.</p>	<p><b>ALL DIMENSIONS ARE IN MILLIMETERS. DO NOT SCALE FROM PLANS.</b></p>	<p>DATE</p> <p>17.06.2025 APPROVAL</p>	<p>DESCRIPTION</p>	<p>REV</p> <p>1</p>	<p>CLIENT'S NAME:</p>	<p>SHEET NAME:</p> <p><b>SECTION</b></p>	<p>JOB NO:</p> <p><b>1521012</b></p>
			<p>SITE ADDRESS:</p> <p><b>38 Gledden Street, Chifley, ACT 2606, WODEN VALLEY/CHIFLEY/32/2</b></p>	<p>DESIGN NAME:</p> <p><b>Avanti 8.5</b></p>	<p>RANGE:</p>	<p>SCALE @ A3:</p> <p><b>1 : 100</b></p>	<p>SHEET NO:</p> <p><b>2</b></p>	
			<p>PROJECT STAGE:</p> <p><b>APPROVAL</b></p>	<p>REV NO:</p> <p><b>1</b></p>	<p>DATE:</p> <p><b>17.06.2025</b></p>			

# POOL SAFETY BARRIER REQUIREMENTS

**Building Approval**  
 Is issued under section 28 of the Building Act 2004  
 CBS Residential Certifiers Pty Ltd  
 23/06/2025 Licenced No: 2019937

## NON-CLIMBABLE ZONE

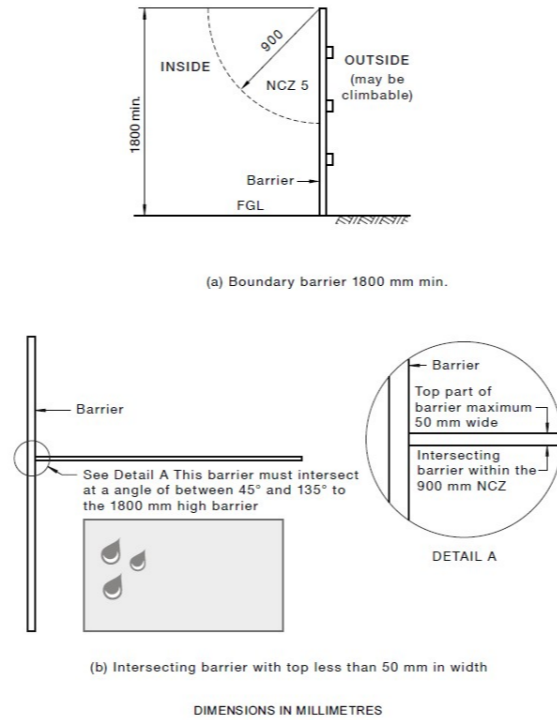


NOTE: The lower radius point of NCZ 2 may be located anywhere on the barrier provided there are no aids for climbing within the arc.

DIMENSIONS IN MILLIMETRES

FIGURE 2.1 (in part) EXAMPLES OF NON-CLIMBABLE ZONES (NCZs)

## BOUNDARY BARRIERS



DIMENSIONS IN MILLIMETRES

FIGURE 2.2 (in part) BOUNDARY BARRIERS

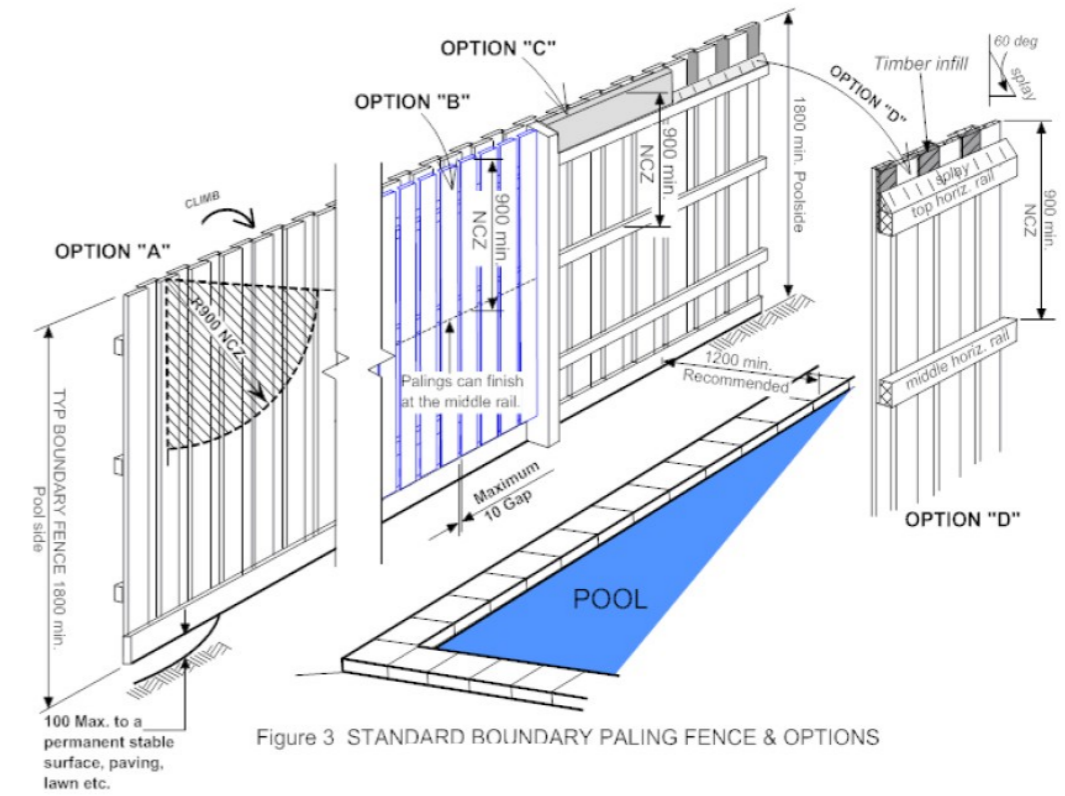


Figure 3 STANDARD BOUNDARY PALING FENCE & OPTIONS

## BOUNDARY BARRIER INTERSECTING WITH INTERNAL BARRIER

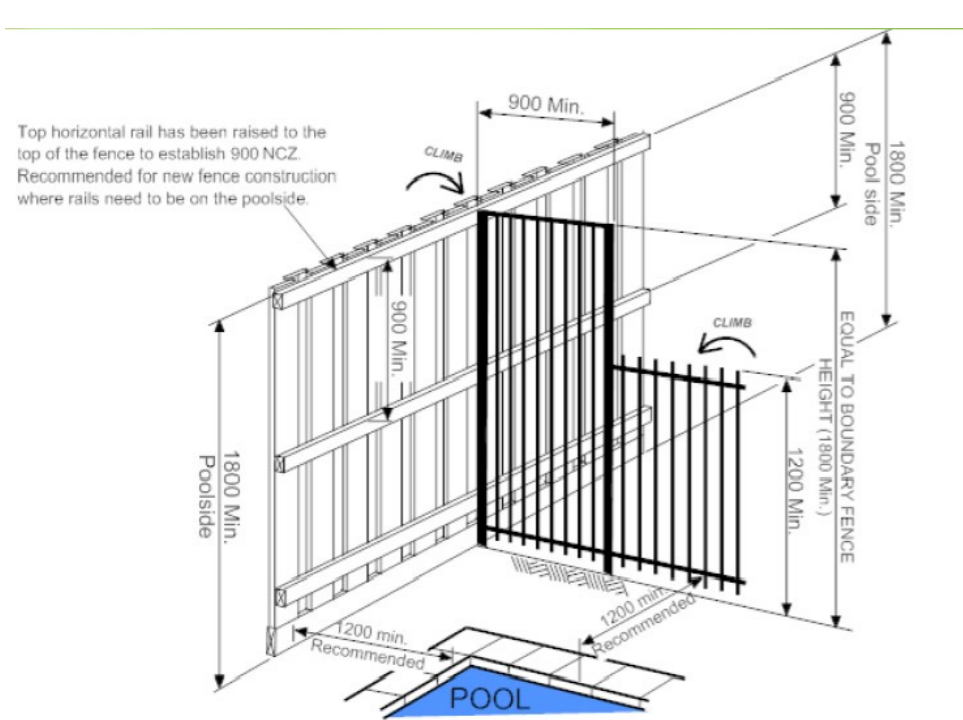


Figure 5 ALTERNATIVE BOUNDARY FENCE INTERSECTING A TYPICAL POOL BARRIER

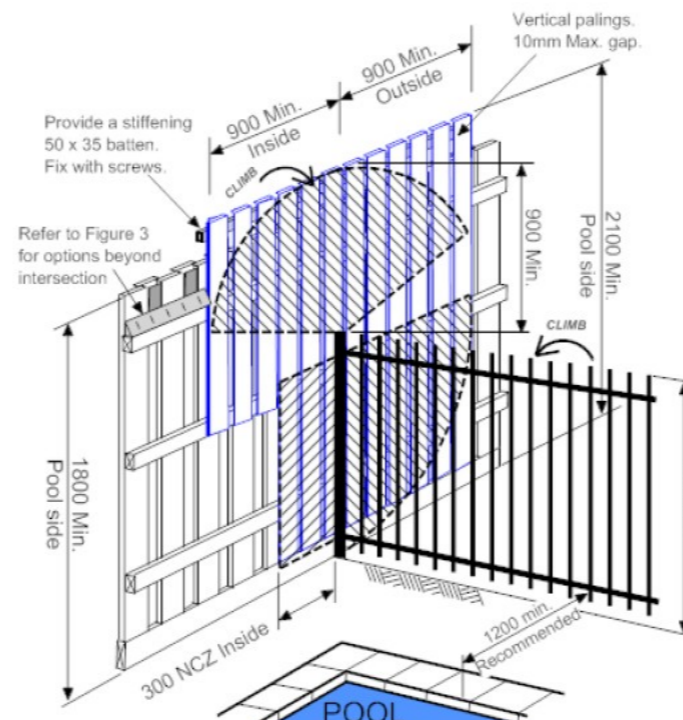


Figure 4 PROPERTY BOUNDARY FENCE INTERSECTING AN INTERNAL POOL BARRIER (Existing Fence)

	<p><b>COPYRIGHT STATEMENT</b></p> <p>THIS PLAN ALWAYS REMAINS THE COPYRIGHT OF DESIGNER. AND SHALL NOT BE USED OTHER THAN FOR THE PROJECT WORK INTENDED WITHOUT WRITTEN AUTHORITY. NO PART MAY BE REPRODUCED BY ANY PROCESS, NOR MAY ANY OTHER EXCLUSIVE RIGHT BE EXERCISED, WITHOUT PERMISSION. LEGAL ENFORCEMENT WILL BE TAKEN ON COPYRIGHT INFRINGEMENT.</p>	<p><b>ALL DIMENSIONS ARE IN MILLIMETERS. DO NOT SCALE FROM PLANS.</b></p>	<p>DATE: 17.06.2025</p> <p>DESCRIPTION: APPROVAL</p> <p>REV: 1</p>	<p>CLIENT'S NAME:</p> <p>38 Gledden Street, Chifley, ACT 2606, WODEN VALLEY/CHIFLEY/32/2</p>	<p>SHEET NAME: <b>SAFETY BARRIOR NOTES 01</b></p> <p>DESIGN NAME: Avanti 8.5</p> <p>RANGE:</p> <p>PROJECT STAGE: APPROVAL</p> <p>SCALE @ A3:</p> <p>REV NO: 1</p> <p>DATE: 17.06.2025</p>	<p>JOB NO: <b>1521012</b></p> <p>SHEET NO: <b>3</b></p>
			<p>VERSION 1.04</p> <p>POWERED BY CANIBUILD</p>			

# POOL SAFETY BARRIER REQUIREMENTS

## GLASS BARRIERS

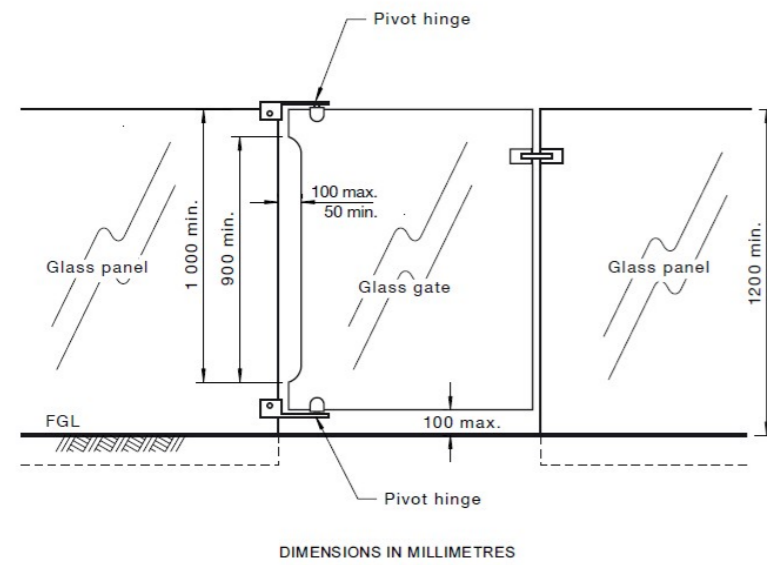
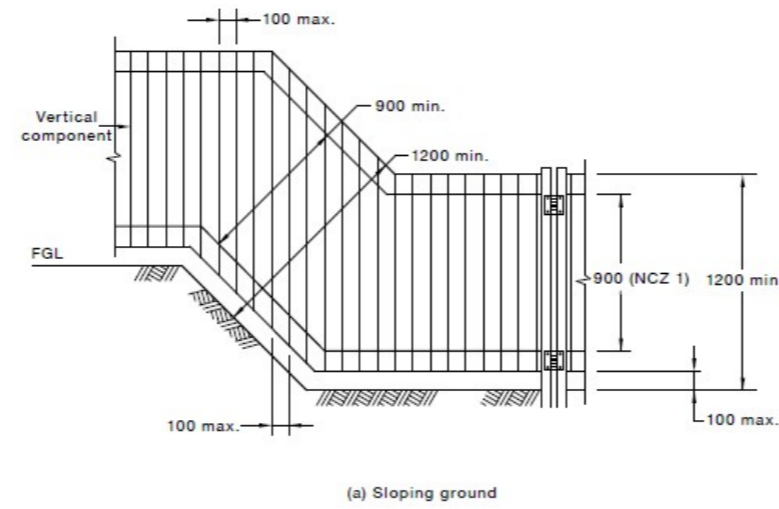
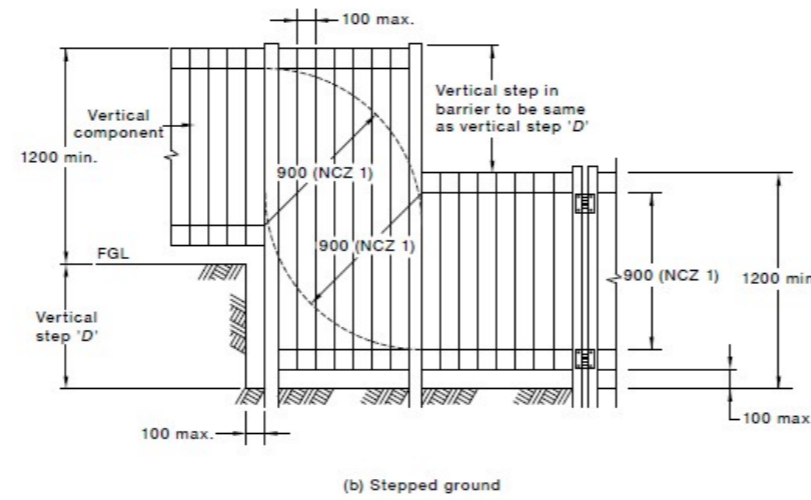


FIGURE 2.4 GLASS GATE WITH PIVOT HINGES

## BARRIER CONSTRUCTION DIMENSIONS



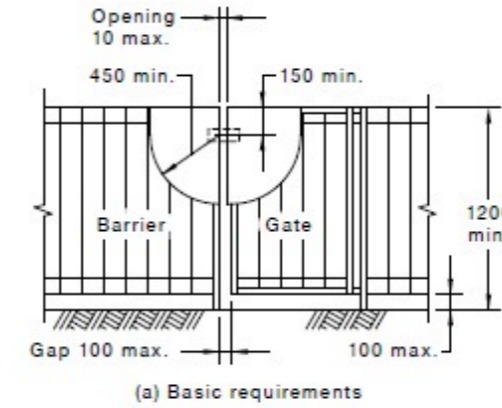
(a) Sloping ground



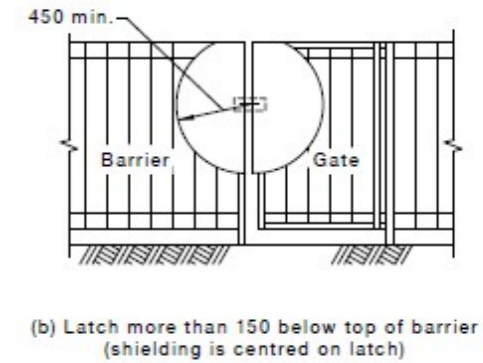
(b) Stepped ground

FIGURE 2.8 (in part) PERPENDICULAR BARRIER DIMENSIONS

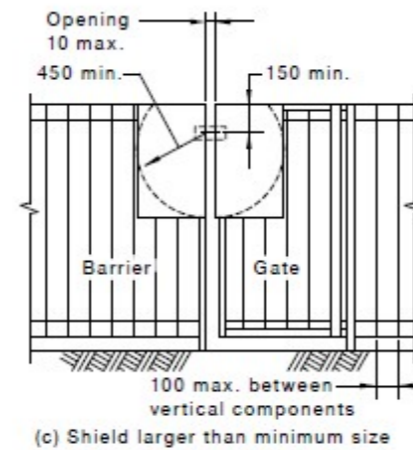
## LATCHING DEVICE SHIELDING



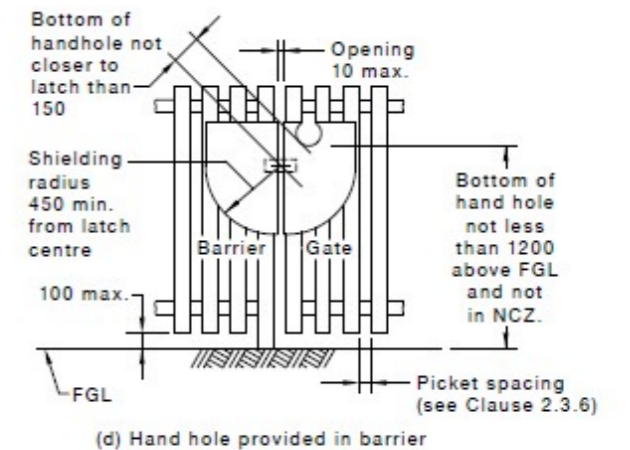
(a) Basic requirements



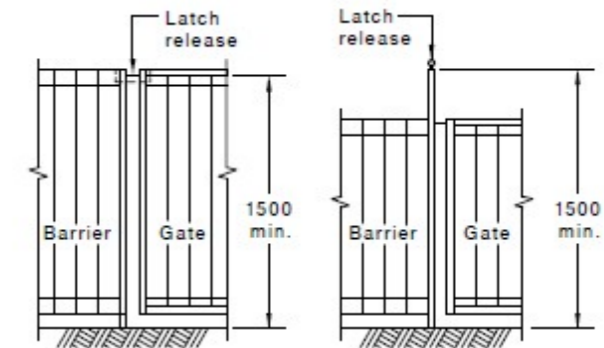
(b) Latch more than 150 below top of barrier (shielding is centred on latch)



(c) Shield larger than minimum size



(d) Hand hole provided in barrier



(e) Shield not required for latch or release located not less than 1500 above FGL

DIMENSIONS IN MILLIMETRES

FIGURE 2.9 ALTERNATIVE LATCH SHIELDING OPTIONS FOR GATES WITH VERTICAL OPENINGS 10–100 mm

**Building Approval**  
Is issued under section 28 of the Building Act 2004  
CBS Residential Certifiers Pty Ltd  
23/06/2025 Licenced No: 2019937

### COPYRIGHT STATEMENT

THIS PLAN ALWAYS REMAINS THE COPYRIGHT OF DESIGNER. AND SHALL NOT BE USED OTHER THAN FOR THE PROJECT WORK INTENDED WITHOUT WRITTEN AUTHORITY. NO PART MAY BE REPRODUCED BY ANY PROCESS, NOR MAY ANY OTHER EXCLUSIVE RIGHT BE EXERCISED, WITHOUT PERMISSION. LEGAL ENFORCEMENT WILL BE TAKEN ON COPYRIGHT INFRINGEMENT.

**ALL DIMENSIONS ARE IN MILLIMETERS. DO NOT SCALE FROM PLANS.**

DATE	DESCRIPTION	REV
17.06.2025	APPROVAL	1

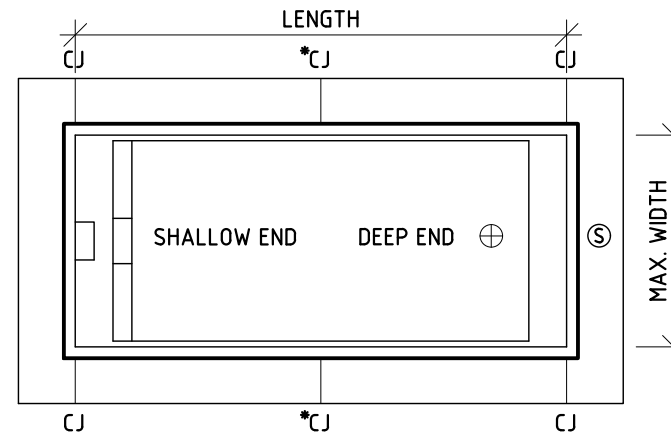
CLIENT'S NAME:  
SITE ADDRESS:  
**38 Gledden Street,  
Chifley, ACT 2606,  
WODEN VALLEY/CHIFLEY/32/2**

SHEET NAME:		JOB NO:	
<b>SAFETY BARRIOR NOTES 02</b>		<b>1521012</b>	
DESIGN NAME:	RANGE:	SCALE @ A3:	SHEET NO:
<b>Avanti 8.5</b>			<b>4</b>
PROJECT STAGE:	REV NO:	DATE:	
<b>APPROVAL</b>	<b>1</b>	<b>17.06.2025</b>	

**DRAWINGS NOTES FOR IN-GROUND POOLS:**

1. THIS DRAWING SHALL BE READ IN CONJUNCTION WITH THE APPROVED SITE PLANS AND THE POOL MANUFACTURER'S DRAWINGS.
2. ALL DIMENSIONS ARE SHOWN FOR GENERAL INFORMATION ONLY. THE EXACT POOL SHELL DIMENSIONS SHALL BE TAKEN FROM THE POOL MANUFACTURER'S FABRICATION DRAWINGS. EXTERNAL POOL DIMENSIONS ARE COPING TO COPING.
3. THE POOL SHELL SHALL BE DESIGNED AND MANUFACTURED STRICTLY IN ACCORDANCE WITH AS 1838:2021 - SWIMMING POOL - PREMOULDED FIBRE REINFORCED PLASTICS - DESIGN AND FABRICATION.
4. INSTALLATION OF THE POOL IS TO COMPLY WITH AS 1839:2021 FOR INSTALLATION OF PREMOULDED FIBRE-REINFORCED PLASTICS AS WELL AS FOLLOWING THE POOL MANUFACTURER'S INSTALLATION MANUAL OR GUIDE.
5. THE REQUIRED FOUNDATION SAFE BEARING PRESSURE IS TO BE AT LEAST 100 KPA.
6. SITES ARE TO HAVE THE SOIL CLASSIFIED IN ACCORDANCE WITH THEIR REACTIVITY AS PER AS 2870, TABLE 2.1. THIS DESIGN IS NOT APPLICABLE TO SITES CLASSIFIED AS "P" AND "E" WITHOUT EXPRESS WRITTEN CONFIRMATION FROM MLEI CONSULTING ENGINEERS AND A DESIGN CERTIFICATE ISSUED BY MLEI CONSULTING ENGINEERS.
7. EXCAVATION FOR SITES H1 AND H2 SHALL HAVE THE EXCAVATED DEPTH OF THE SHALLOW END EQUAL TO THE DEPTH FOR THE DEEP END.
8. EXCAVATION FOR SITES A, S AND M SHALL BE IN ACCORDANCE WITH AS 1839 AND STANDARD PRACTICES.
9. THE EXCAVATED PROFILE FOR EACH POOL SHALL MAKE ALLOWANCE FOR A CLEARANCE OF 100MM ON THE POOL SIDES AND 100MM (200MM FOR H1 AND H2 SITES) UNDER THE POOL TO ALLOW FOR FILL AND BEDDING MATERIAL.
10. WHERE OVER EXCAVATION DOES OCCUR AND EXCEEDS 150MM THEN THE ADDITIONAL BASE FILL SHALL BE NON-REACTIVE MATERIAL THAT IS STABILISED OR COMPACTED.
11. BEDDING MATERIAL FOR THE POOL SHALL BE NON-COHESIVE, POROUS, EVENLY GRADED, READILY SCREEDABLE AND HAVE A MAXIMUM AGGREGATE SIZE OF 7MM. THE BEDDING LAYER THICKNESS IS TO BE MINIMUM 100MM FOR SITE CLASSIFICATIONS A, S AND M (200MM THICK FOR SITES H1 AND H2).
12. A HYDROSTATIC VALVE IS TO BE INSTALLED AS NEAR AS PRACTICABLE TO THE DEEPEST POINT OF THE POOL. A GRAVEL PIT/SUMP IS TO BE PLACED BELOW THE HYDROSTATIC VALVE. THE SUMP IS TO BE COMPOSED OF 10MM DIAMETER CRUSHED STONE OR SIMILAR AND IS TO HAVE A MINIMUM BEDDING DEPTH OF 200MM AND WIDTH OF 400MM. THE SUMP IS TO BE WRAPPED IN A GEOTEXTILE FILTER MEMBRANE.
13. A SUBSOIL PERIMETER DRAIN IS TO BE PROVIDED WHERE THE GROUNDWATER TABLE RISES ABOVE THAT OF THE POOL FLOOR. THE DRAIN INVERT LEVEL SHALL BE BELOW THE POOL WATER LEVEL WHICH WILL PREVENT EXCESS EXTERNAL WATER PRESSURE DEVELOPING MENTIONED ABOVE. POOL MUST BE INSTALLED TO SPECIFICATION AS PER AS 1839:2021.
14. A STANDPIPE IS TO BE INSTALLED AND CONNECTED TO THE HYDROSTATIC VALVE SUMP AND/OR UNDERPOOL DRAINAGE SYSTEM CONSISTING OF CRUSHED STONE OR SIMILAR. IT IS TO CONSIST AT MINIMUM OF A 100MM DIAMETER AGRICULTURAL DRAIN WRAPPED IN A GEOTEXTILE FABRIC OR NON-PERFORATED PIPE. THE STANDPIPE IS TO BE USED TO OBSERVE THE GROUND WATER LEVEL OR TO LOWER THE GROUND WATER LEVEL. THE STANDPIPE IS TO HAVE A TEE CONNECTION TO THE F 65 UPVC PIPE FOR DISCHARGE TO ATMOSPHERE AT LOWEST PRACTICAL LEVEL WHERE POSSIBLE.
15. BACKFILL MATERIAL FOR THE POOL SHALL BE ONE OF THE FOLLOWING:
  - a. PREMIXED CEMENT/SAND OF MINIMUM RATIO 1:16 BY VOLUME
  - b. PREMIXED CEMENT/FINE CRUSHED ROCK, SUITABLY GRADED AND OF MAXIMUM SIZE OF 7MM AND MINIMUM RATIO 1:16 BY VOLUME.
  - c. CEMENT/SAND OF MINIMUM RATIO 1:10 BY VOLUME, DRY MIXED BY HAND ON SITE AND IN CONTROLLED BATCHES.
16. BACKFILL SHALL BE DONE IN ACCORDANCE WITH AS 1839 TO KEEP DEFLECTIONS WITHIN LIMITS. THE POOL SHALL BE BACKFILLED INCREMENTALLY TO THE WATER LEVEL WITHIN THE POOL. THE BACKFILL THICKNESS SHALL BE 100MM FOR POOLS IN SITE CLASSIFIED AS A,S AND M WHILE SITES H1 AND H2 SHALL HAVE A BACKFILL LAYER THICKNESS OF 200MM.
17. THE POOL FIBREGLASS SHELL IS TO BE COMPRISED OF THE FOLLOWING:
  - a. ONE OR MORE COSMETIC LAYERS FOR INTERNAL POOL FINISH (MIN. 0.35MM THICK)
  - b. ONE OR MORE CORROSION BARRIER LAYERS TO PROVIDE REQUIRED CHEMICAL RESISTANCE. (MIN. 1.5MM THICK)
  - c. STRUCTURAL LAYER(MIN. 4MM, MAX. 7.5MM THICK)
  - d. SURFACE LAYER TO SEAL THE STRUCTURAL LAYERS.
18. THE STRUCTURAL FIBREGLASS LAYER SHALL BE LAID UP WITH A NOMINAL RESIN TO GLASS RATIO OF 1.9:1 TO A THICKNESS OF 4-7.5MM OVER 90% OF THE POOL. NO AREA IS TO BE LESS THAN 4MM AND THE COPING NO LESS THAN 8MM.
19. RIBBING SECTIONS SHALL COMPRISE OF A SYNTACTIC CORE SECTION OF NOT LESS THAN 3MM WITH A COVERING LAYER OF FIBREGLASS AND RESIN TO A NOMINAL GLASS TO RESIN RATIO OF 1.9:1 TO A MINIMUM THICKNESS OF 1.5MM COVERING THE RIB SECTIONS. THE OVERALL THICKNESS OF RIB SHALL NOT BE LESS THAN 7MM.
20. THE CONCRETE COPING/BOND BEAM AROUND THE POOL SHELL SHALL BE SUPPORTED ON NATURAL GROUND OR STABILISED FILL MATERIAL IN ACCORDANCE WITH AS 1839 AND/OR PIERED DOWN TO NATURAL GROUND WITH MINIMUM 150MM DIAM. CONCRETE PIERS AT MINIMUM 1.2M CENTRES.
21. THE CONCRETE COPING/BOND BEAM SHALL HAVE A MINIMUM GRADIENT OF 1 IN 20 SLOPING AWAY FROM THE POOL. THE BOND BEAM SHALL HAVE A SLIP RESISTANT PAVER OR SIMILAR PLACED OVER.
22. MINIMUM CONCRETE STRENGTH OF 32MPA AT 80MM SLUMP AND WITH MAXIMUM 20MM AGGREGATE WITH REINFORCING COVER MIN. 40MM.

23. FILTER TO BE CONNECTED TO SKIMMER BOX AT WATER RETURN PORTS WITH RETURN UPVC PIPES OF MINIMUM 40MM DIAM. & FITTINGS & SHALL COMPLY WITH AS 1926.3 WATER RETICULATION SYSTEMS.
24. THE POOL SHELL SHALL BE LIFTED AND HANDLED WITH A CENTRE SPREADER BAR OR TO MANUFACTURERS DIRECTIONS AND PLACED IN THE EXCAVATION HOLE. TEMPORARY SUPPORT SHALL BE PROVIDED TO THE POOL SHELL BY THE POOL INSTALLER AS NECESSARY.
25. THE POOL OWNER IS TO NOTIFY THE MANUFACTURER BEFORE ATTEMPTING TO EMPTY OR PARTLY EMPTY POOL WATER BELOW THE SKIMMER BOX. THE POOL MANUFACTURER, THE MANUFACTURER'S AGENT OR THE ENGINEER SHALL TAKE NO RESPONSIBILITY FOR ANY DAMAGE TO THE POOL SHELL AND ASSOCIATED WORK.
26. POOL FENCING & SAFETY SHALL COMPLY WITH THE AUSTRALIAN STANDARDS AS1926.1 - SAFETY BARRIERS FOR SWIMMING POOLS & AS1926.2 - LOCATION OF SAFETY BARRIERS FOR SWIMMING POOLS.
27. MOVEMENT JOINTS ARE TO BE INSTALLED IN TILES, ABOVE THE COPING, IN THE LOCATION OF THE CONSTRUCTION JOINTS.



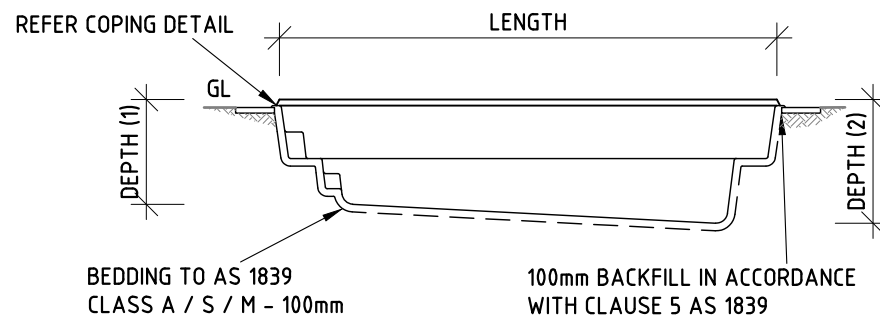
- \* CONTROL JOINTS TO BE INSTALLED IN COPING WIDER THAN 760mm I.E. FROM A WIDTH OF 760mm ONWARDS
- \* MID-LENGTH CONTROL JOINT REQUIRED FOR POOLS OF GREATER THAN 8m IN LENGTH

**AVANTI POOL PLAN**

1:100

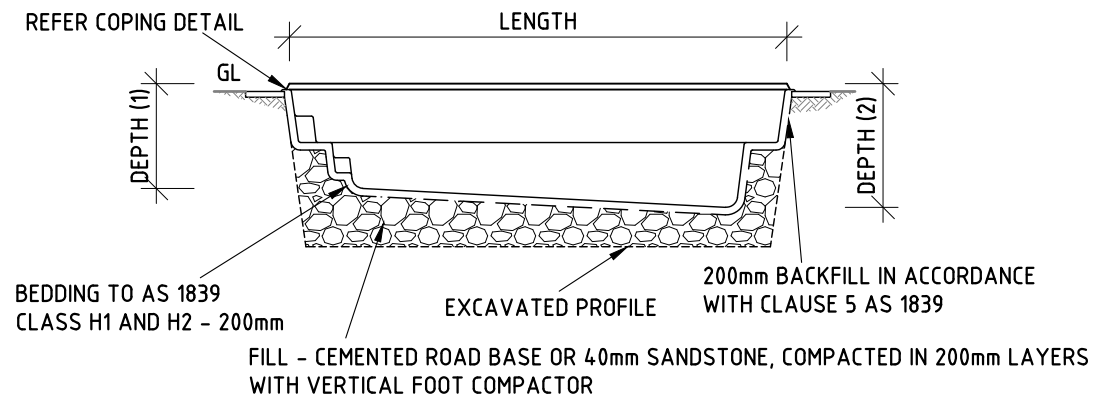
**LEGEND**

- ⊕ HYDROSTATIC VALVE PLACEMENT MAY VARY
- Ⓢ SKIMMER BOX - PLACEMENT MAY VARY



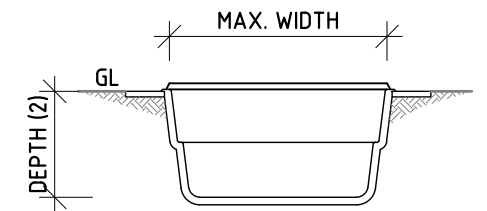
**POOL LONG ELEVATION (SITES A/S/M)**

1:100



**POOL LONG ELEVATION (SITES H1 AND H2)**

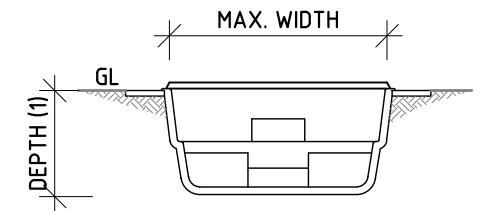
1:100



- \* FOR SITES H1 AND H2 EXCAVATED DEPTHS WILL BE INCREASED BY 100mm ACCOMMODATED 200mm BEDDING

**DEEP END ELEVATION**

1:100



- \* FOR SITES H1 AND H2 EXCAVATED DEPTHS WILL EQUAL THAT OF THE DEEP END

**SHALLOW END ELEVATION**

1:100

TABLE FOR AVANTI RANGE LENGTH AND DEPTH (mm)			
LENGTH	MAX. WIDTH	DEPTH (1)	DEPTH (2)
5500	3000	1325	1555
6500	3000	1330	1625
7500	3000	1330	1695
8500	3000	1330	1750

REVISION			
ISSUE	DATE	DESCRIPTION	INITIAL
0	20/11/2024	FOR CONSTRUCTION	GS



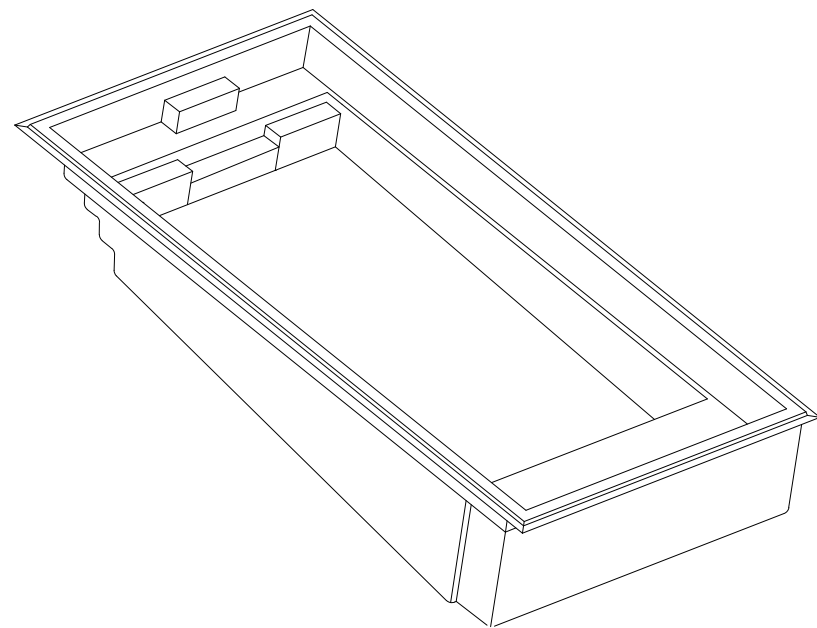
**mlei**  
CONSULTING ENGINEERS

Suite 326, Level 2, Building 3 - Lakehouse Offices  
34-36 Glenferrie Drive, Robina, Queensland - 4226  
(07) 5578 8088 [info@mlei.com.au](mailto:info@mlei.com.au) [mlei.com.au](http://mlei.com.au)

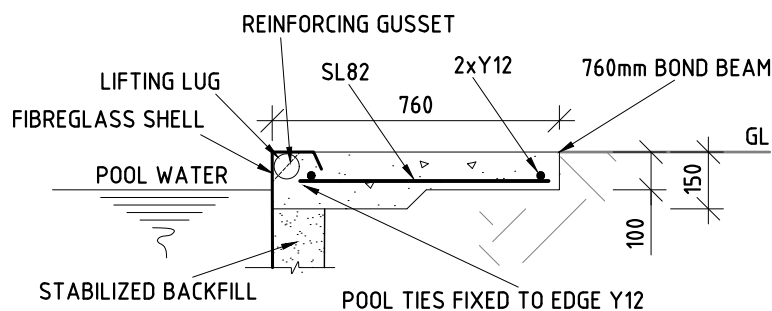
PROJECT	AVANTI RANGE IN - GROUND POOLS
CLIENT	MASTER BUILT POOLS

DRAWING TITLE	GENERAL NOTES, POOL EXCAVATION AND PLAN DETAILS
DO NOT SCALE FROM THIS DRAWING	

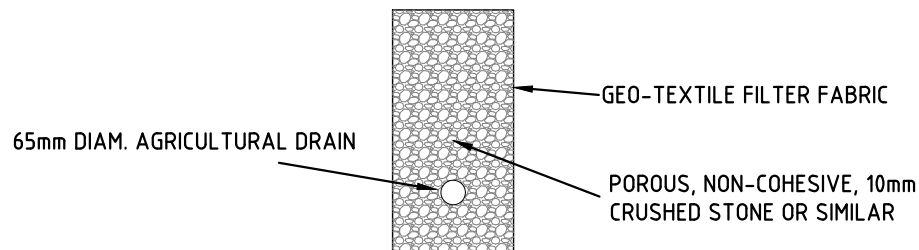
DRAFTER	ENGINEER	MANAGER
TBH	GS	NL
DATE	PROJECT NUMBER	DRAWING SCALE
20/11/2024	24123	AS INDICATED
DRAWING NUMBER	SHEET SIZE	REV
S1.01	A3	0



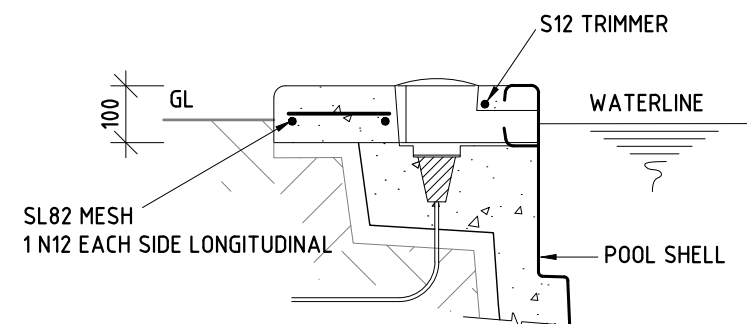
**ISOMETRIC VIEW OF POOL**  
1:20



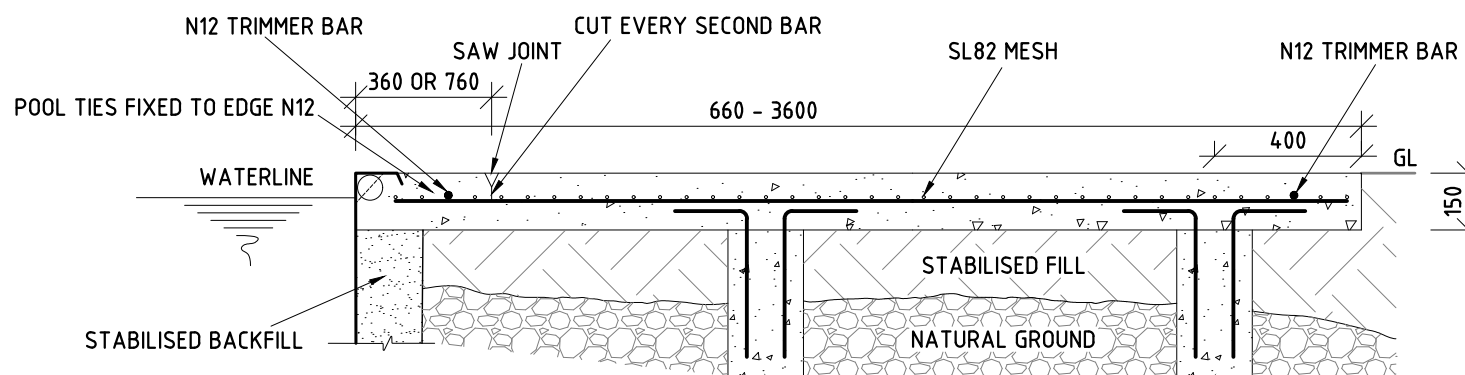
**COPING DETAIL**  
1:20 A, S & M CLASS SITES



**SUB-SOIL DRAIN DETAIL**  
1:20

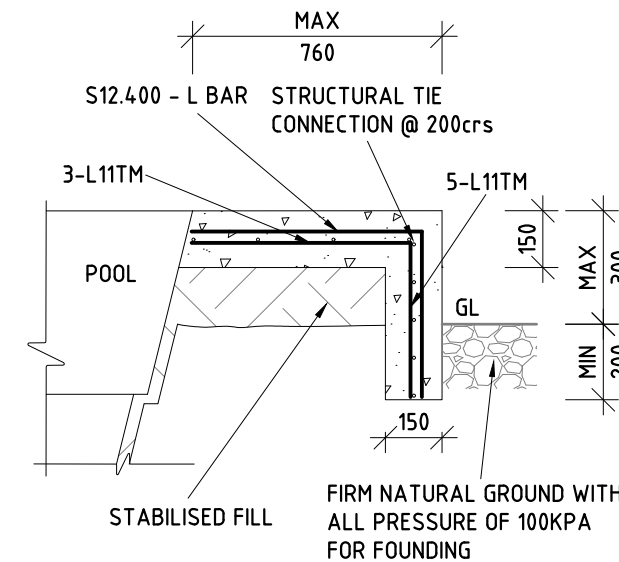


**SKIMMER BOX DETAIL**  
1:20



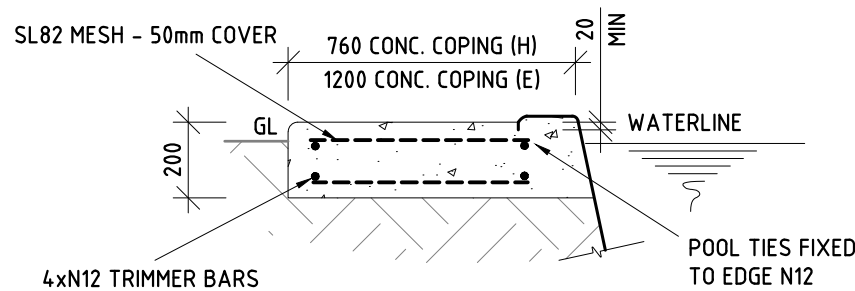
**EXTENDED COPING DETAILS (660 - 3600)**  
1:20 A, S & M CLASS SITES

450mm DIA. REINFORCED CONCRETE PIER:  
CONCRETE STRENGTH MIN. 32MPA  
VERTICAL BARS: 6xN12  
R6 HELIX LIGATURE - PITCH 200mm  
TO BE FOUNDED ONTO FIRM SOIL MIN.  
ALLOWABLE PRESSURE OF 150KPA, MIN.  
500mm BELOW N.G.L

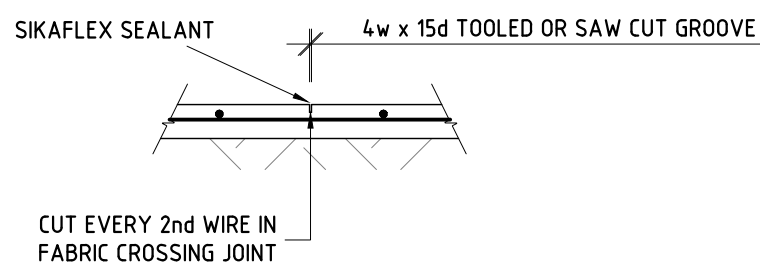


**DROP EDGE BEAM DETAIL**  
1:20

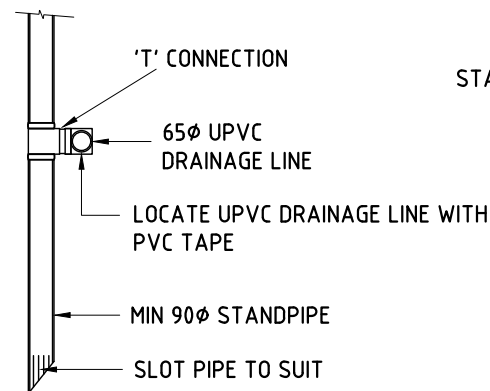
FIRM NATURAL GROUND WITH ALL PRESSURE OF 100KPA FOR FOUNDED



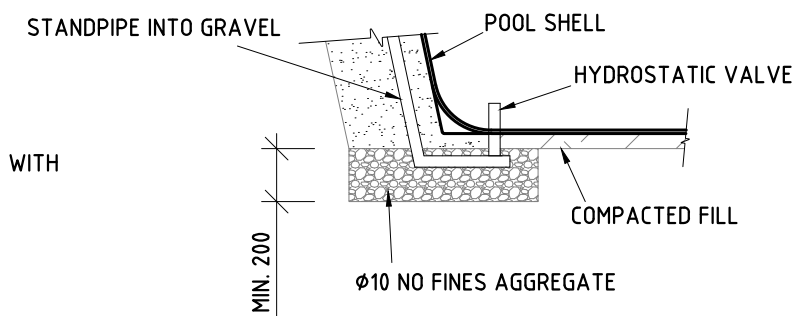
**EXTENDED COPING DETAILS**  
1:20 H1 AND H2 CLASS SITES



**CONTROL JOINT (CJ)**  
1:20



**STANDPIPE DETAIL**  
1:20



**HYDROSTATIC VALVE DETAIL**  
1:20

**POOL DETAILS**  
1:20

REVISION			
ISSUE	DATE	DESCRIPTION	INITIAL
0	20/11/2024	FOR CONSTRUCTION	GS

**mlei**  
CONSULTING ENGINEERS  
Suite 326, Level 2, Building 3 - Lakehouse Offices  
34-36 Glenferrie Drive, Robina, Queensland - 4226  
(07) 5578 8088 [info@mlei.com.au](mailto:info@mlei.com.au) [mlei.com.au](http://mlei.com.au)

PROJECT	AVANTI RANGE IN - GROUND POOLS
CLIENT	MASTER BUILT POOLS

DRAWING TITLE	IN - GROUND POOL DETAILS
DO NOT SCALE FROM THIS DRAWING	

DRAFTER	TBH	ENGINEER	GS	MANAGER	NL
DATE	20/11/2024	PROJECT NUMBER	24123	DRAWING SCALE	AS INDICATED
DRAWING NUMBER	S1.02	SHEET SIZE	A3	REV	0

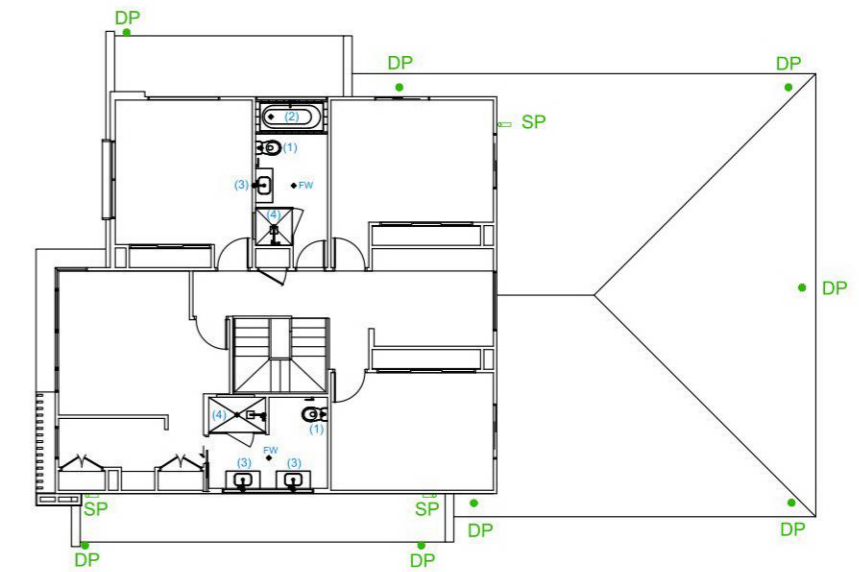
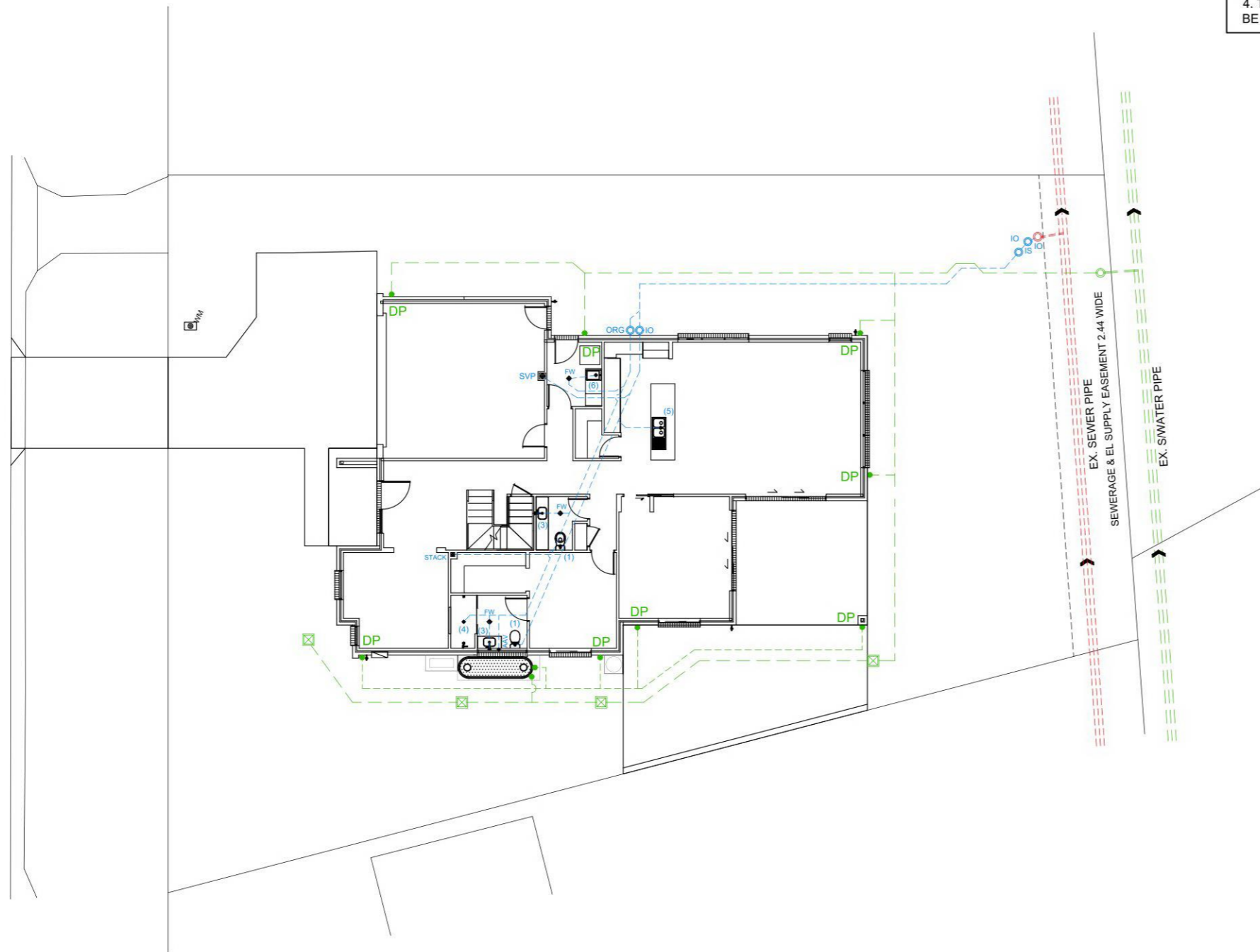
**SEWERAGE LAYOUT NOTES**

1. EXISTING SEWER LINES & TIES TO BE LOCATED ON SITE PRIOR TO CONSTRUCTION.
2. ALL WORKS TO BE COMPLETED IN ACCORDANCE WITH AS3500.2.3 (2003)
3. ALL WORKS ARE TO BE CONDUCTED IN ACCORDANCE WITH THE CANBERRA SEWERAGE REGULATIONS.
4. THE INSPECTION SHAFT AT THE PROPERTY BOUNDARY TO BE IN ACCORDANCE WITH PLUMBING NOTE No.3.

**SANITARY FIXTURES**

(1) TOILETS	4
(2) BATHS	1
(3) BASINS	5
(4) SHOWERS	3
(5) KITCHEN SINKS	1
(6) LAUNDRY TROUGH	1

GLEDDEN STREET



**FIRST FLOOR & ROOF LAYOUT**  
SCALE 1:200/A3



- ORG - OVERFLOW RELIEF GULLY
- VJU - VERTICAL JUMP UP
- VP - VENT PIPE
- SVP - SOIL VENT PIPE
- IO - INSPECTION OPENING
- - SEWERAGE PIPELINE
- - STORMWATER PIPELINE
- - STORMWATER (CHARGED)
- ☒ - SUMP PIT



**STORMWATER & SEWERAGE LAYOUT - WORK AS EXECUTED**

SCALE 1:200/A3

*A.W. White*

118/11/2024

**alw design**

CIVIL ENGINEERING CONSULTANTS

P: 02 9802 5509 E: admin@alwdesign.com.au  
M: 0413 763 432 69 DELANGE ROAD, PUTNEY NSW 2112

JOB NUMBER: SW23136  
DRAWING NUMBER: SW23136 - S1

PROJECT: PROPOSED RESIDENTIAL DWELLING AT BLOCK 2 / SECTION 32, 38 GLEDDEN STREET, CHIFLEY ACT

DRAWING: WORK AS EXECUTED

DESIGNED	DRAWN	CHECKED:	ANDREW L WAHBE - BE (CIVIL) MIEAUST PENG
A.W	M.W	DRAWINGS NOT TO BE USED FOR CONSTRUCTION UNLESS SIGNED BY DESIGNING ENGINEER	
C	ISSUED FOR REGISTRATION		08/11/24
ISSUE	REVISION DESCRIPTION	APPR. DATE	

## PAYMENT PENDING

As per terms and conditions in the Residential Reports Client Guarantee



# Tax Invoice

### Inspection Number 46575

Please ensure this number is used when making payment

7 April 2026

Michael & Meredith Damo


**For the Property at:** 38 Gledden Street Chifley ACT 2606

NO PAY UPFRONT RAPID INSPECTIONS PACKAGE	
Access Canberra conveyancing fees (no GST)	181.00
Property Inspection and Report (package price)	520.00
Timber Pest Inspection and Report (package price)	490.00
Building Compliance Inspection and Report (package price)	475.45
First Rate Energy Efficiency Inspection & Report (complimentary)	0.00
Subtotal	1,666.45
Total GST	148.55
<b>TOTAL INC GST</b>	<b>\$1,815.00</b>

*Thank you for your business*

**We offer comprehensive Pest Management Solutions!**  
**Call now to book your regular Pest Control Service**

**No Pay Package Conditions:** This invoice must be paid on settlement or within 180 days of the date of inspection, whichever comes first. We must be notified immediately if the property is not marketed within 3 months or is withdrawn from the market and the invoice must be settled within 14 days. Failure to adhere to these terms will result in associated legal and collection fees being applied to amount due.

PAYMENT OPTIONS	
	To avoid unallocated payments please use reference number: <b>46575</b>
Credit Card	Please call 6288 0402 to provide card details. Your account is not debited until the day reports are released. Providing these details as soon as possible will ensure there is no delay when reports are ready.
Direct Deposit	Account Name: Residential Reports BSB: 012-997 Account Number: 2269 05945 Reference: <b>46575 IMPORTANT: PLEASE ensure this unique ID is used</b>



### A PERCENTAGE OF EVERY JOB IS DONATED TO OUR WITHOUT A ROOF PROGRAM

Every year we step into hundreds of homes, yet in our region there are still so many people living without acceptable, permanent or safe shelter. A percentage from each inspection we conduct is contributed to our in-house program 'Without a Roof' and periodically donated to make small changes to this big issue. To find out more visit [residentialreports.com.au](http://residentialreports.com.au)

Residential Reports Pty Limited ABN 38 609 880 122

35 Poynton Street Hughes ACT 2605 p 6288 0402 [info@residentialreports.com.au](mailto:info@residentialreports.com.au)

**Member- Master Builders Association & The Australian Environmental Pest Managers Association**

## Disclosure Statement – Regulated Swimming Pool

Section 10B of the *Civil Law (Sale of Residential Property) Regulation 2004* (ACT)

The information provided below is information held to the best of the Seller's knowledge and belief, and as accurately as the Seller has been able to find out. The Seller does not warrant that the below information is true or accurate. The Buyer should rely on their own enquiries.

Annexed to this Disclosure Statement is a copy of the Certificate of Occupancy for the regulated swimming pool and safety barrier that is not older than 5 years after the day it was issued.

Please refer to the Pool Owner Guidance Material annexed to this Disclosure Statement.

Item	Required Information	Comments
------	----------------------	----------

<p><b>1</b></p>	<p>Describe the regulated swimming pool.</p> <p>For example, a regulated swimming pool includes:</p> <ul style="list-style-type: none"> <li>• in-ground and above ground swimming pools</li> <li>• temporary and permanent swimming pools</li> <li>• wading pools</li> <li>• splash pools</li> <li>• demountable pools</li> <li>• concrete pools</li> <li>• portable pools</li> <li>• flotation tank or tub</li> <li>• kids pools</li> <li>• a spa</li> <li>• an excavation, structure or vessel that can be filled with water to a depth of 300mm or more and is used, designed, or manufactured for human aquatic activity.</li> </ul> <p>A regulated swimming pool does not include a bath in a bathroom, birthing pool, ornamental pond, water feature, inflatable pool, public pool, or a pool at a short-term accommodation premises.</p>	<p>Inground swimming pool</p>
<p><b>2</b></p>	<p>Describe the location of the regulated swimming pool.</p>	<p>In the back yard of 38 Gledden Street, Chifley</p>
<p><b>3</b></p>	<p>The date that the Property was purchased by the Seller.</p>	<p>21 December 2021</p>

<p><b>4</b></p>	<p>The date of the Certificate of Occupancy and Use for the dwelling, confirming when the dwelling was built.</p> <p>If the dwelling was built by the Seller, the date that building approval was granted.</p>	<p>19/11/2024</p>
<p><b>5</b></p>	<p>The date the regulated swimming pool was built or installed. This may be the same date as when the dwelling was built.</p> <p>If a Certificate of Occupancy and Use was issued for the regulated swimming pool, the date of the Certificate of Occupancy and Use.</p>	<p>23/6/2025</p> <p>13/11/2025</p>
<p><b>6</b></p>	<p>Is the Seller aware of any alterations to the regulated swimming pool since it was built or installed?</p> <p>If yes, provide details of the alterations and the date that the alterations were made.</p>	<p>No</p>
<p><b>7</b></p>	<p>Does a standing exemption apply?</p> <p>If yes, which one and why, including details of any advice to support the decision.</p>	<p>No</p>

# Pool Owner Guidance Material

The ACT Government is committed to avoiding preventable deaths and serious injuries from fatal and non-fatal drownings in home swimming pools and spas in the ACT.

New rules aim to protect the public by making sure that home swimming pools and spas in the ACT have a safety barrier that is compliant with modern safety standards and that they are maintained.

This document outlines the obligations for people who own a property with a *regulated swimming pool* for the period 1 May 2024 to 30 April 2028.

## Regulated swimming pools

The new rules apply to regulated swimming pools, which are home swimming pools or spas that are:

- capable of containing water to a depth greater than 30cm; and
- associated with a residential building such as a house, unit, townhouse or block of apartments.

This includes in-ground and above-ground pools, temporary and permanent pools, wading pools, demountable pools, portable pools, kids' pools and spas.

If your inflatable pool can be deflated and inflated and does not have a filtration system you are not covered by the scheme. If any part of the pool requires assembly other than inflation (i.e. has a frame), or if the pool uses or comes with a filtration system, it is a demountable pool and therefore covered by the scheme.

## Scheme commencement and transition period

The scheme commences on 1 May 2024, with a four-year transition period for homeowners to have a compliant safety barrier for their regulated swimming pool or obtain an exemption.

## Compliant safety barrier

From 1 May 2028, it will be an offence to have a regulated swimming pool that does not have a safety barrier which meets the prescribed safety standards unless an exemption applies.

For pools built, altered or installed before 1 May 2023, the safety standards are:

- the current version of the Building Code of Australia (NCC 2022); and
- two Australian Standards which are Part 1 and Part 2 of Australian Standards for Swimming pool safety.
  - Part 1 (AS 1926.1 – 2012) relates to safety barriers for swimming pools
  - Part 2 (AS 1926.2 – 2007) is about the location of safety barriers

The Building Code and these two Australian Standards are the current safety standards which stop young people accessing pools and lessen the risk of drowning.

The changes that need to be made to swimming pool and spa safety barriers to make them compliant with the prescribed safety standards will depend on the type of safety barrier that is currently in place and the location of the swimming pool or spa in relation to other buildings, structures and boundary fences on the property. Information about what changes you may need to make can be found in the factsheets on the [Home Swimming Pool Safety Reforms](#) webpage on the ACT Government planning website.

Pools built, altered or installed on or after 1 May 2023 must meet:

- the Building Code of Australia as adopted in the ACT at the time the swimming pool or spa is built or altered; and
- the Australian Standards called up by the Building Code at the time the swimming pool or spa is built or altered.

## Exemptions

Under the scheme, there are some circumstances where a pool is not required to comply with the prescribed safety standards and the owner of the premises does not need to apply for an exemption.

Date of pool construction	Before 1 May 2023	On or after 1 May 2023
A demountable pool that will not be in place for more than three consecutive days	Yes	Yes
A spa which is covered and secured by a lockable child-resistant structure (such as a door, lid, grille or mesh) that meets the prescribed requirements	Yes	A lockable child-resistant structure will be permitted if it satisfies the prescribed safety standard
A spa that is located on the balcony of an apartment where self-closing and self-latching doors and/or windows restricts access	Yes	A spa located on a balcony must comply with the prescribed safety standard

There are also circumstances where homeowners or owners corporations can apply for an exemption from compliance if the pool is unable to have a safety barrier compliant with the prescribed safety standards.

Date of pool construction	Before 1 May 2013	Between 1 May 2013 and 30 April 2023	On or after 1 May 2023
A swimming pool area is unable to physically accommodate a safety barrier compliant with the prescribed safety standard	Yes	No	No
Compliance with the prescribed safety standard would be reasonably likely to require approval to remove a protected tree	Yes	No	No
Compliance would have a significant adverse effect on the heritage significance of a place or object registered under the <i>Heritage Act 2005</i>	Yes	No	No
Compliance would prevent a person with a disability from accessing the swimming pool	Yes	Yes	No
Documented plans to remove and not replace the swimming pool within 24 months	Yes	Yes	No

Offences and penalties apply for failing to notify of a change of circumstances that affects a ground on which an exemption was granted, and for failing to comply with a condition of an exemption.

## Compliance certificates

Pools built, altered or installed before 1 May 2013 will need to obtain a compliance certificate before 1 May 2028 and lodge it with Government within 30 days of issue. Compliance certificates obtained during the transition period will be valid until 1 May 2032.

Pools built, altered or installed on or after 1 May 2013 are not required to obtain a compliance certificate by 1 May 2028 or lodge it with Government. This does not prevent a compliance certificate being obtained before then.

Offences and penalties may apply for failing to meet these obligations.

## Maintaining safety around home swimming pools and spas

From 1 May 2024, all owners of a property with a swimming pool or spa are required to maintain their swimming pool or spa safety barriers as an effective and safe child-resistant barrier. All residents of a property with a swimming pool or spa must ensure that all doors, gates and covers providing access to the swimming pool or spa are kept securely closed when not in use. Offences and penalties may apply for failing to meet these obligations.

## More information

For more information on the reforms and what they mean for you and your pool, including disclosure obligations on sale or lease of your property, visit the [Home Swimming Pool Safety Reforms](https://www.planning.act.gov.au/projects-priorities/home-swimming-pool-safety-reforms) webpage on the ACT Government planning website: <https://www.planning.act.gov.au/projects-priorities/home-swimming-pool-safety-reforms>



# Certificate of Occupancy and Use

Certificate No.: **B20251773C1**

**Access Canberra Land, Planning and  
Building Services**

ABN 16 479 763 216  
8 Darling Street Mitchell  
GPO Box 158 ACT 2601  
[www.act.gov.au/accesscbr](http://www.act.gov.au/accesscbr)

This Certificate is issued in accordance with Section 69 (2) of the Building Act 2004.

The building work listed on this certificate has been completed substantially in accordance with the prescribed requirements and is considered fit for occupation and use.

Unit	Block	Section	Division (Suburb)	District	Jurisdiction
	2	32	CHIFLEY	WODEN VALLEY	Australian Capital Territory

Plans
B20251773/A

## Building Works

Class of Occupancy	Nature of Work	Project Item Description	Other Description	Type Of Const.	Unit	BCN ID	Builder
10b	New	DA EXEMPT-SWIMMING POOL		NA		B20251773N1	THOMAS OLIVER JONES

## Comments

## Important Note:

The issue, under this Part, of a certificate in respect of a building or portion of a building does not affect the liability of a person to comply with the provisions of a law of the territory (including this Act) relating to the building or portion of the building.

**Issued by:** Trang Dang

**Issued on:** 13/11/2025

Delegate of the ACT Construction  
Occupations Registrar.

**SITE INFORMATION:**

SITE AREA: 789.29 m<sup>2</sup>  
 EXISTING BUILDING AREA: 124.92 m<sup>2</sup>  
 ZONING: ---

TEMPORARY BARRIER LAYOUT TO FOLLOW PERMANENT BARRIER LOCATION AS DRAWN ON SITE PLAN AS PER BUILDING REGULATIONS 2018\_REG.116.

BUILDER TO ENSURE THE POOL FILTRATION SYSTEM WILL NOT ENCRoACH THE NON-CLIMBABLE ZONE OF THE SAFETY BARRIER OR OBSTRUCT SUPERVISION WITHIN THE POOL ENCLOSURE

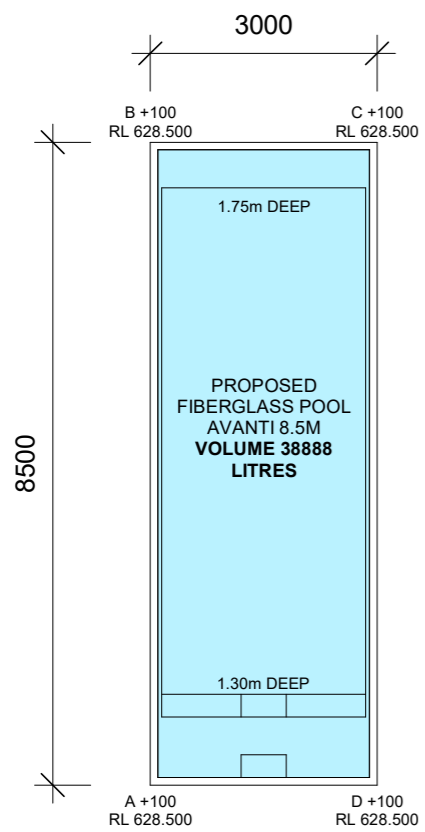
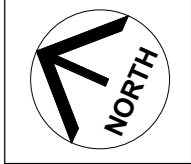
BUILDER TO ENSURE NC2'S AS PER AS 1926.1.

BUILDER TO USE A 200mm DEEP BOND BEAM IN THE EVENT A SOIL REPORT IS NOT SUPPLIED.

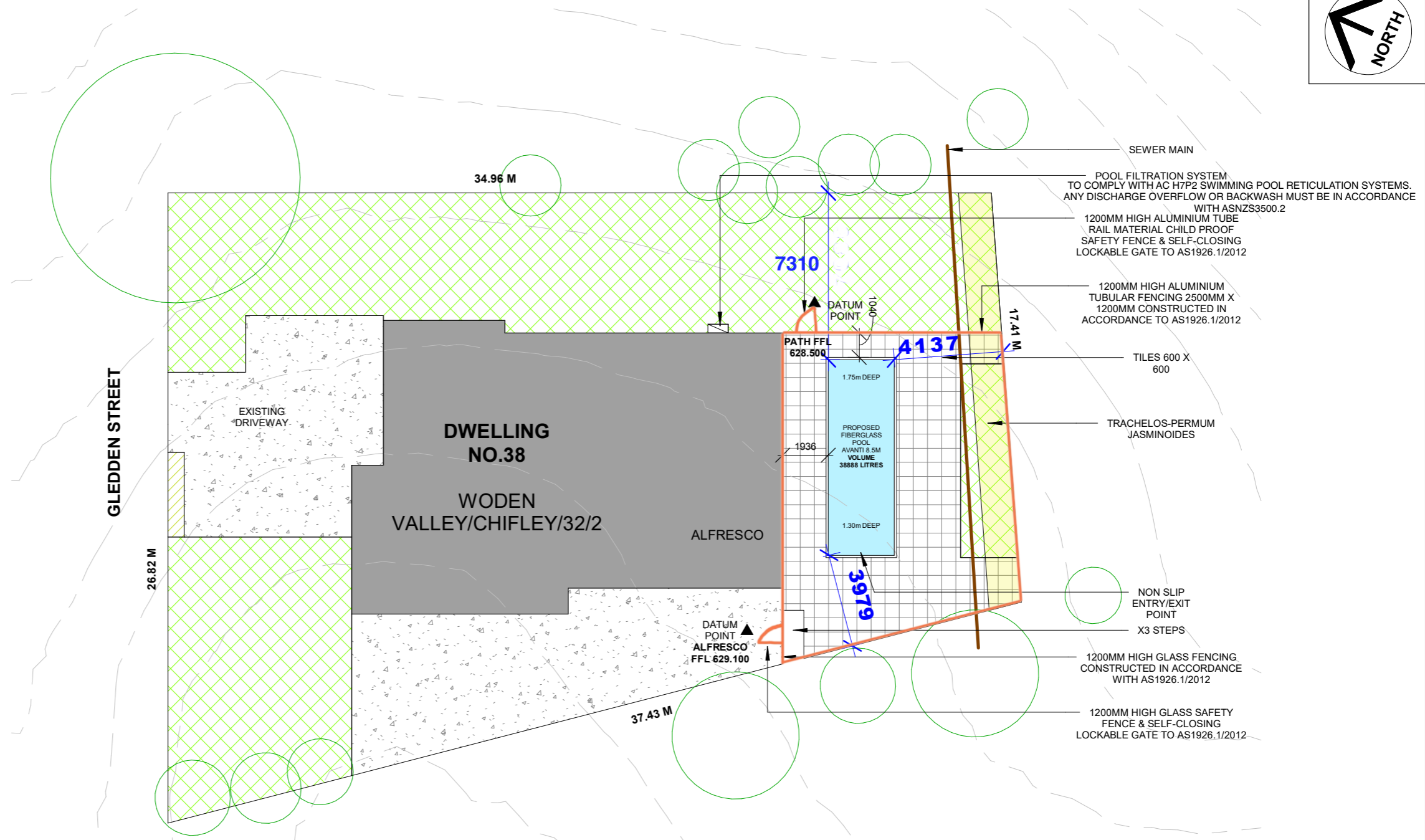
**NOTES -**  
 TEMPORARY BARRIER WILL BE PLACED ON 4 SIDES OF THE POOL  
 TEMPORARY BARRIER TO COMPLY WITH AS 1926.1



LEGEND	
	SOFT LANDSCAPE 1.5m WIDE & GREATER
	SOFT LANDSCAPE LESS THAN 1.5m WIDE
	HARDSTAND ( CONCRETE, PAVERS, GRAVEL ETC.)
	EXISTING BUILDING FOOTPRINT



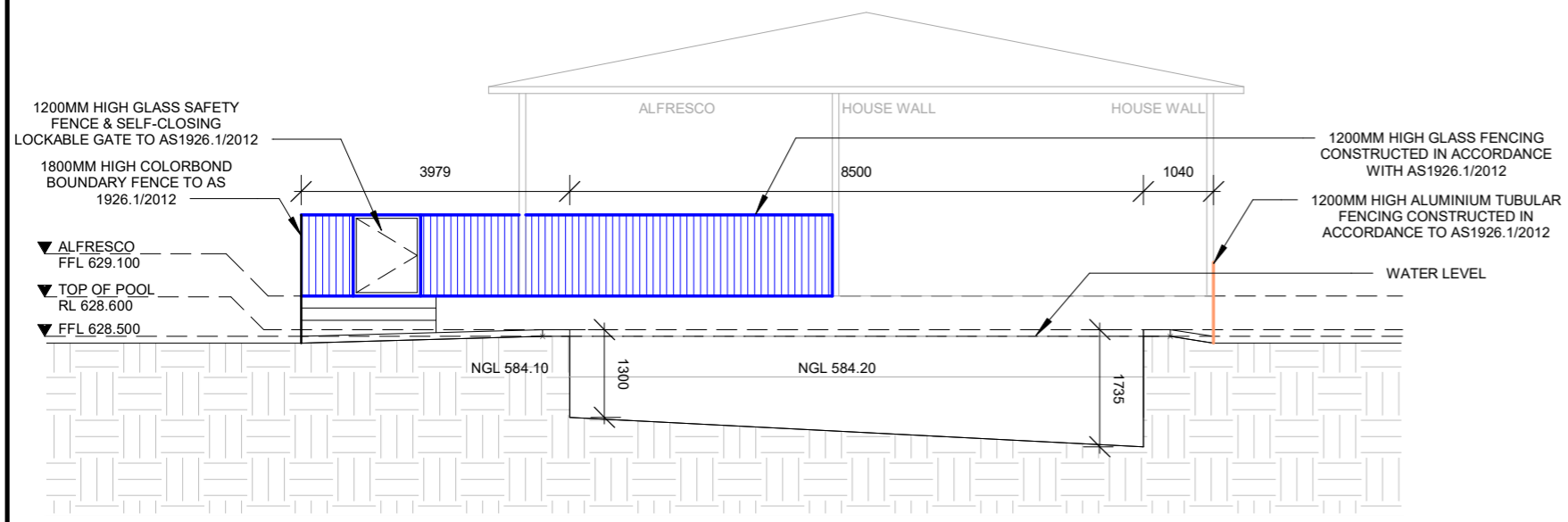
**POOL PLAN**  
 SCALE 1 : 100      2



**SITE PLAN**  
 SCALE 1 : 200      1

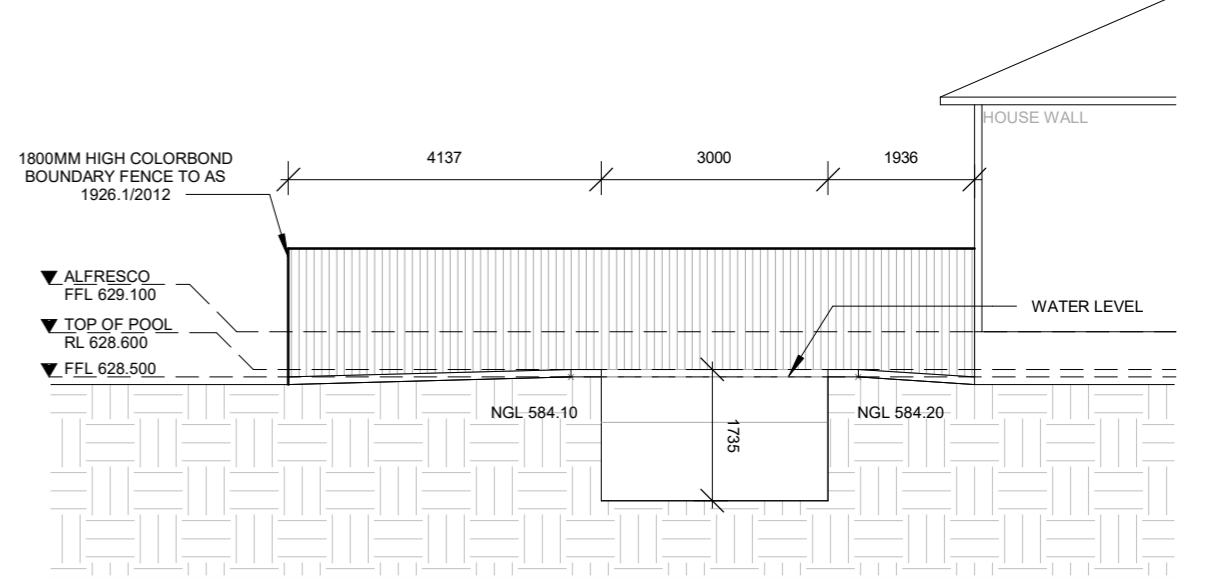
DISCLAIMER: It is the builder's responsibility to cross-check the on-site measurements with the offsets. If the measurements do not match the drawings, the builder must report it to Canibuild. When a proposed structure is close to a sewer asset, it is the builder's responsibility to verify the offset from the sewer main and ensure that it is outside the ZOI (Zone of Influence). The builder is responsible for identifying and notifying any discrepancies in the drawings prior to permitting and construction. Once construction begins, any errors or omissions are the sole responsibility of the builder. This includes, but is not limited to, existing structures, fence locations, deep and shallow ends, and the placement of additional components.

	<b>COPYRIGHT STATEMENT</b> THIS PLAN ALWAYS REMAINS THE COPYRIGHT OF DESIGNER. AND SHALL NOT BE USED OTHER THAN FOR THE PROJECT WORK INTENDED WITHOUT WRITTEN AUTHORITY. NO PART MAY BE REPRODUCED BY ANY PROCESS, NOR MAY ANY OTHER EXCLUSIVE RIGHT BE EXERCISED, WITHOUT PERMISSION. LEGAL ENFORCEMENT WILL BE TAKEN ON COPYRIGHT INFRINGEMENT.	<b>ALL DIMENSIONS ARE IN MILLIMETERS. DO NOT SCALE FROM PLANS.</b>	<b>DATE</b> 17.06.2025	<b>DESCRIPTION</b> APPROVAL	<b>REV</b> 1	<b>CLIENT'S NAME:</b> WODEN VALLEY/CHIFLEY/32/2	<b>SHEET NAME:</b> SITE PLAN	<b>JOB NO:</b> 1521012
			<b>DATE</b> 17.06.2025	<b>DESCRIPTION</b> APPROVAL	<b>REV</b> 1	<b>SITE ADDRESS:</b> 38 Gledden Street, Chifley, ACT 2606, WODEN VALLEY/CHIFLEY/32/2	<b>DESIGN NAME:</b> Avanti 8.5	<b>RANGE:</b> PROJECT STAGE: APPROVAL



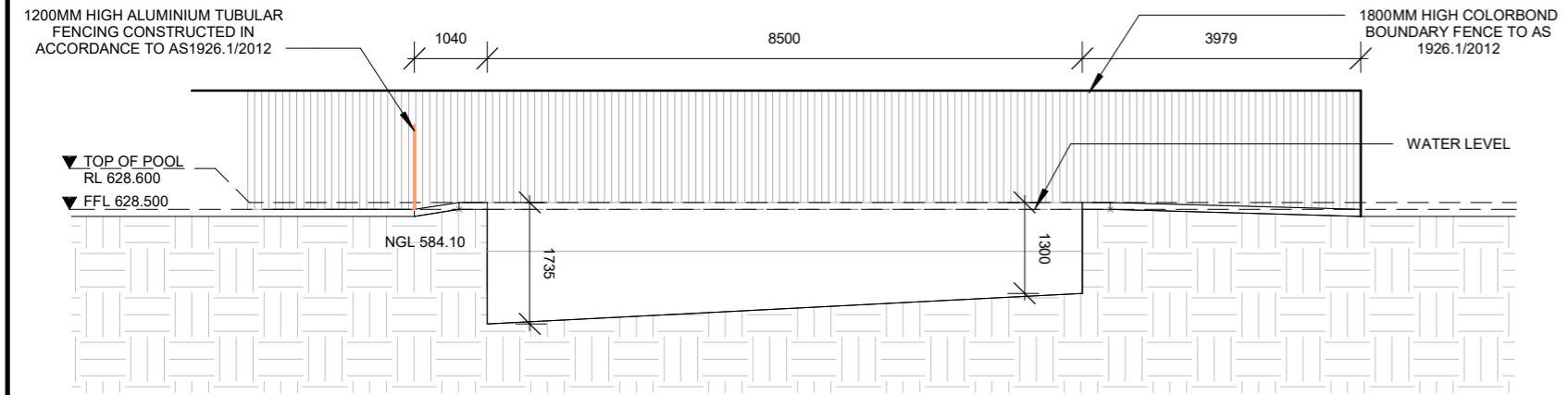
**SOUTH ELEVATION**

SCALE 1 : 100 1



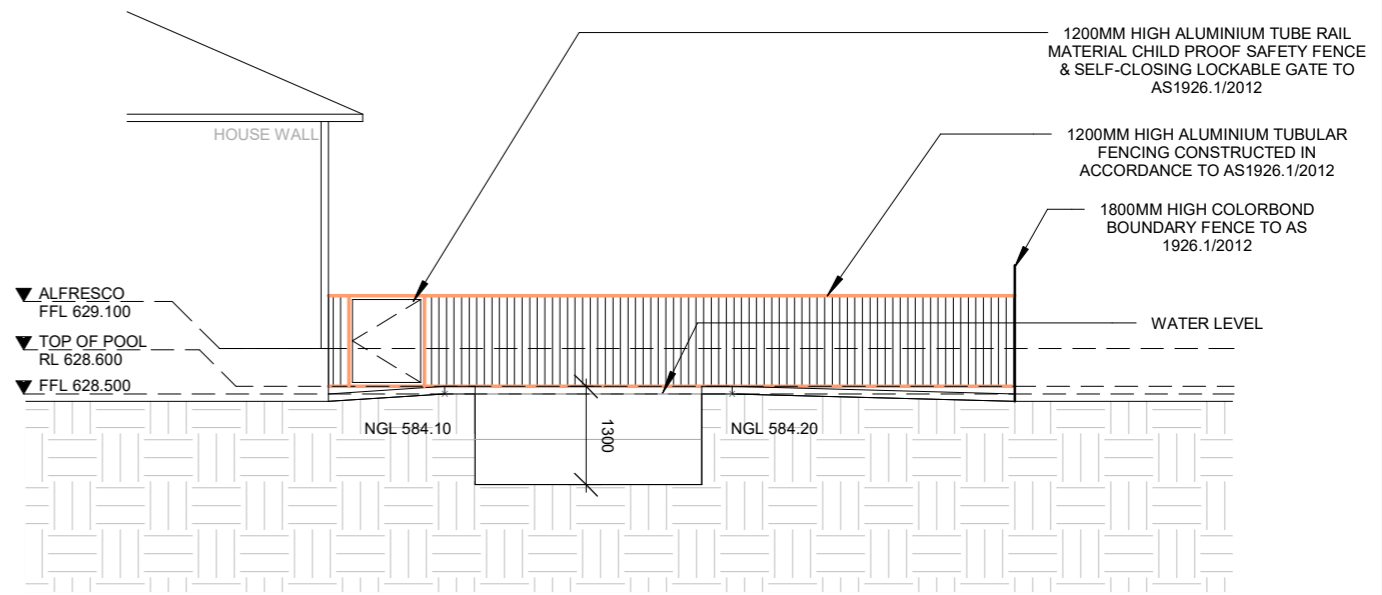
**EAST ELEVATION**

SCALE 1 : 100 2



**NORTH ELEVATION**

SCALE 1 : 100 3



**WEST ELEVATION**

SCALE 1 : 100 4



**COPYRIGHT STATEMENT**  
 THIS PLAN ALWAYS REMAINS THE COPYRIGHT OF DESIGNER. AND SHALL NOT BE USED OTHER THAN FOR THE PROJECT WORK INTENDED WITHOUT WRITTEN AUTHORITY. NO PART MAY BE REPRODUCED BY ANY PROCESS, NOR MAY ANY OTHER EXCLUSIVE RIGHT BE EXERCISED, WITHOUT PERMISSION. LEGAL ENFORCEMENT WILL BE TAKEN ON COPYRIGHT INFRINGEMENT.

**ALL DIMENSIONS ARE IN MILLIMETERS. DO NOT SCALE FROM PLANS.**

DATE	DESCRIPTION	REV
17.06.2025	APPROVAL	1

CLIENT'S NAME:  
 38 Gledden Street,  
 Chifley, ACT 2606,  
 WODEN VALLEY/CHIFLEY/32/2

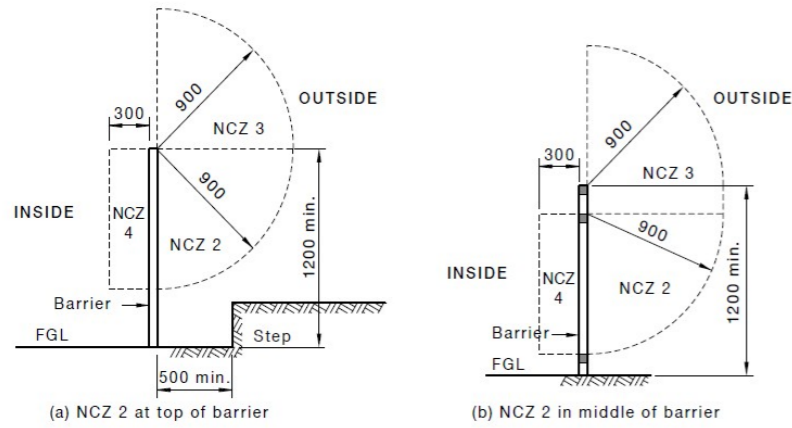
SHEET NAME:			JOB NO:
<b>SECTION</b>			<b>1521012</b>
DESIGN NAME:	RANGE:	SCALE @ A3:	SHEET NO:
<b>Avanti 8.5</b>		<b>1 : 100</b>	<b>2</b>
PROJECT STAGE:	REV NO:	DATE:	
<b>APPROVAL</b>	<b>1</b>	<b>17.06.2025</b>	

# POOL SAFETY BARRIER REQUIREMENTS

**Building Approval**  
 Is issued under section 28 of the Building Act 2004  
 CBS Residential Certifiers Pty Ltd  
 23/06/2025 Licenced No: 2019937

## NON-CLIMBABLE ZONE

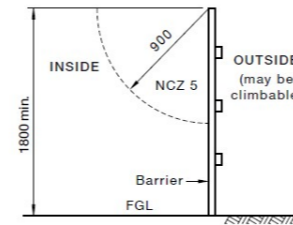
## BOUNDARY BARRIERS



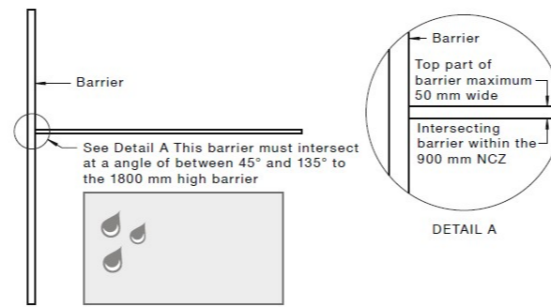
NOTE: The lower radius point of NCZ 2 may be located anywhere on the barrier provided there are no aids for climbing within the arc.

DIMENSIONS IN MILLIMETRES

FIGURE 2.1 (in part) EXAMPLES OF NON-CLIMBABLE ZONES (NCZs)



(a) Boundary barrier 1800 mm min.



(b) Intersecting barrier with top less than 50 mm in width

DIMENSIONS IN MILLIMETRES

FIGURE 2.2 (in part) BOUNDARY BARRIERS

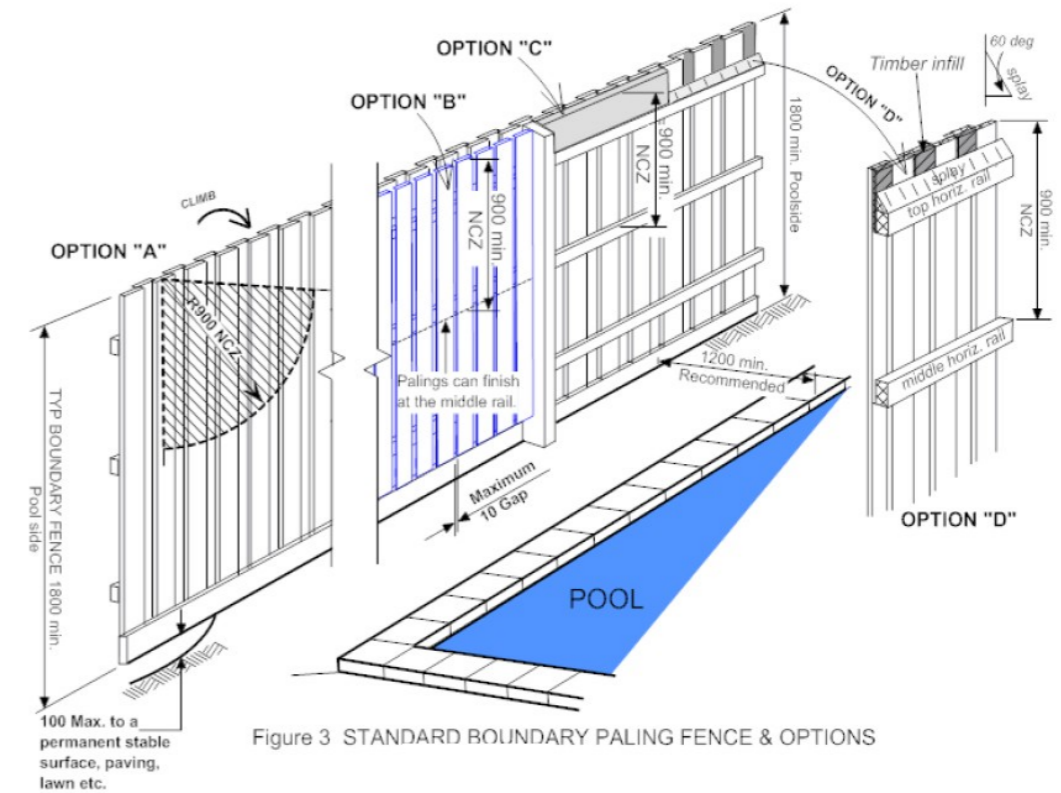


Figure 3 STANDARD BOUNDARY PALING FENCE & OPTIONS

## BOUNDARY BARRIER INTERSECTING WITH INTERNAL BARRIER

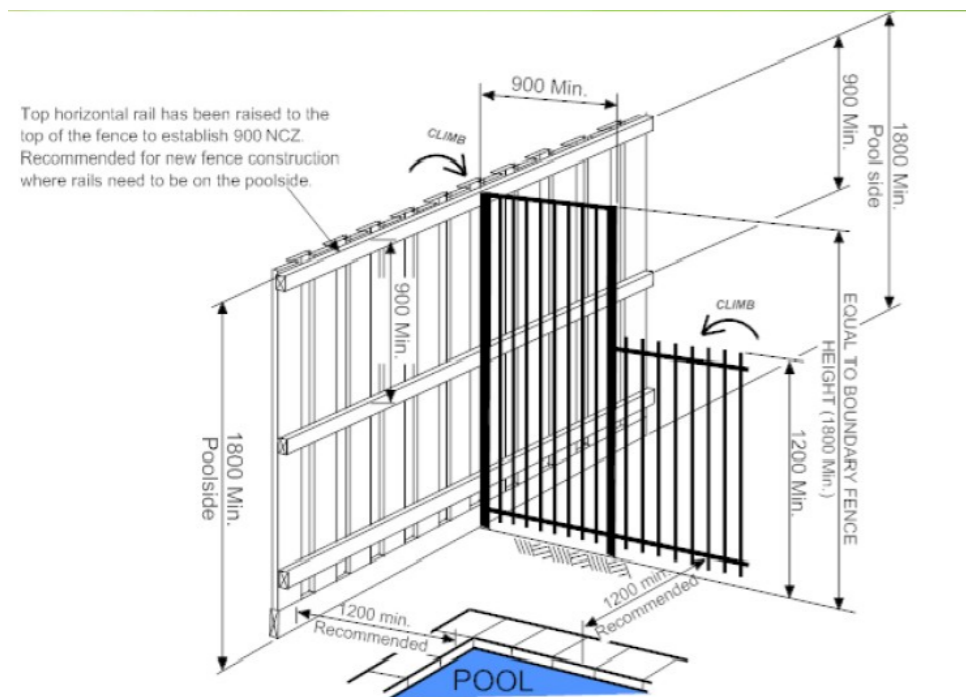


Figure 5 ALTERNATIVE BOUNDARY FENCE INTERSECTING A TYPICAL POOL BARRIER

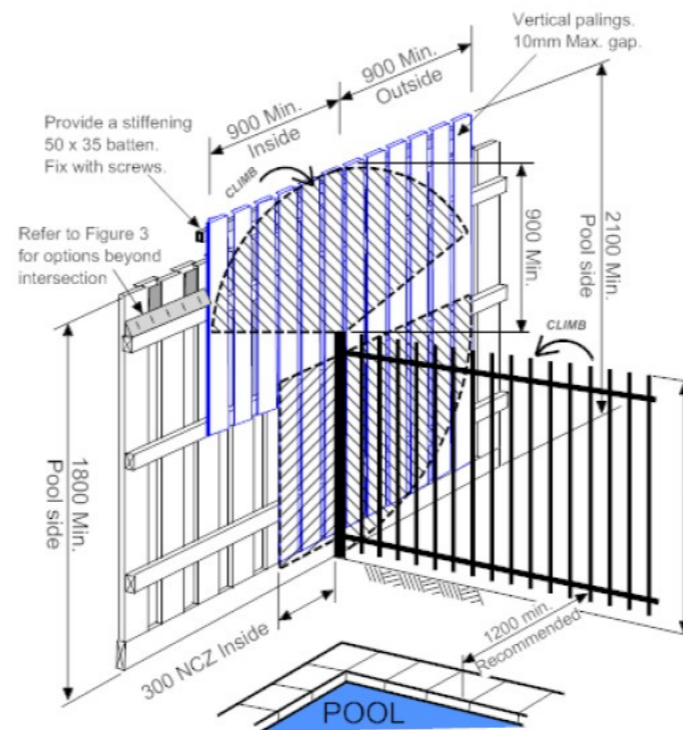


Figure 4 PROPERTY BOUNDARY FENCE INTERSECTING AN INTERNAL POOL BARRIER (Existing Fence)

	<p><b>COPYRIGHT STATEMENT</b></p> <p>THIS PLAN ALWAYS REMAINS THE COPYRIGHT OF DESIGNER. AND SHALL NOT BE USED OTHER THAN FOR THE PROJECT WORK INTENDED WITHOUT WRITTEN AUTHORITY. NO PART MAY BE REPRODUCED BY ANY PROCESS, NOR MAY ANY OTHER EXCLUSIVE RIGHT BE EXERCISED, WITHOUT PERMISSION. LEGAL ENFORCEMENT WILL BE TAKEN ON COPYRIGHT INFRINGEMENT.</p>	<p><b>ALL DIMENSIONS ARE IN MILLIMETERS. DO NOT SCALE FROM PLANS.</b></p>	<p>DATE: 17.06.2025</p>	<p>DESCRIPTION: APPROVAL</p>	<p>REV: 1</p>	<p>CLIENT'S NAME:</p>	<p>SHEET NAME: SAFETY BARRIOR NOTES 01</p>	<p>JOB NO: 1521012</p>
			<p>38 Gledden Street, Chifley, ACT 2606, WODEN VALLEY/CHIFLEY/32/2</p>	<p>DESIGN NAME: Avanti 8.5</p>	<p>RANGE:</p>	<p>SCALE @ A3:</p>	<p>SHEET NO: 3</p>	
<p>VERSION 1.04 POWERED BY CANIBUILD</p>		<p>PROJECT STAGE: APPROVAL</p>		<p>REV NO: 1</p>		<p>DATE: 17.06.2025</p>		

# POOL SAFETY BARRIER REQUIREMENTS

## GLASS BARRIERS

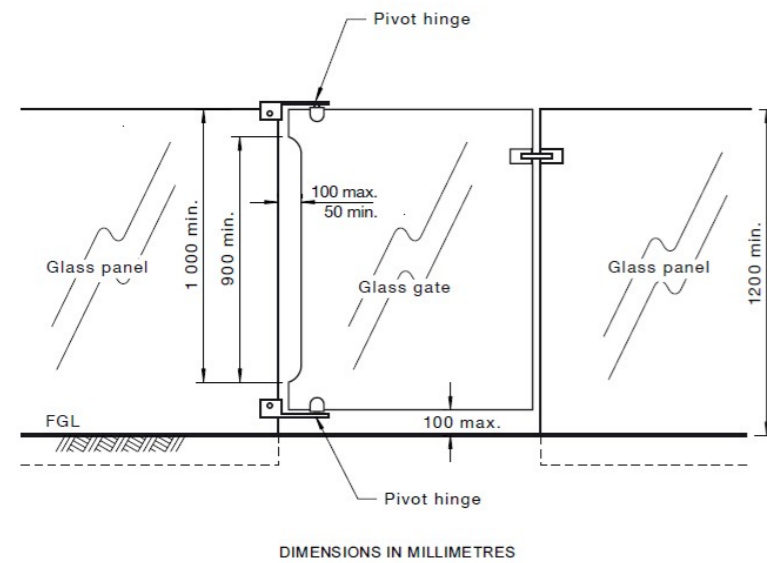
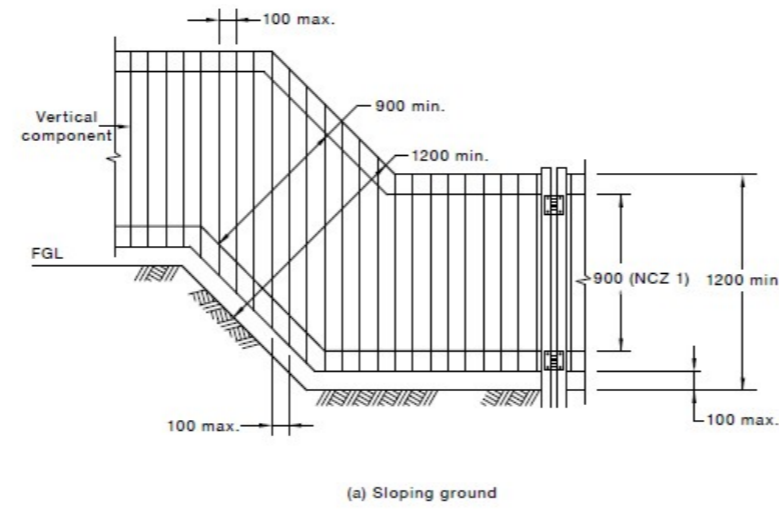
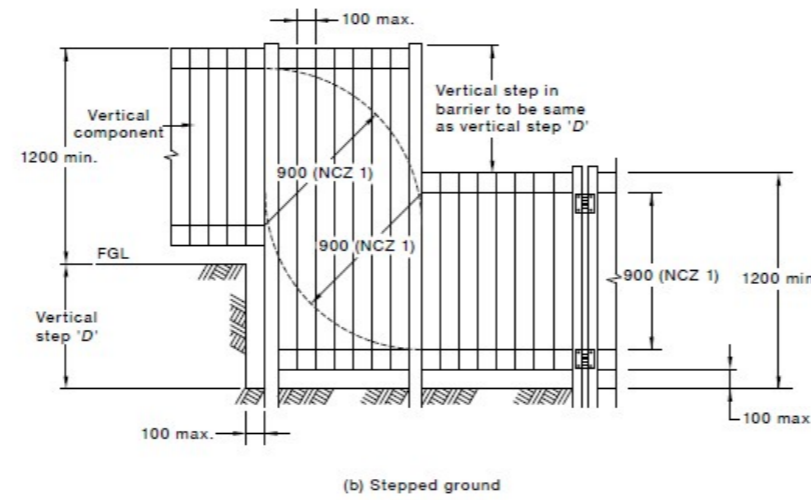


FIGURE 2.4 GLASS GATE WITH PIVOT HINGES

## BARRIER CONSTRUCTION DIMENSIONS



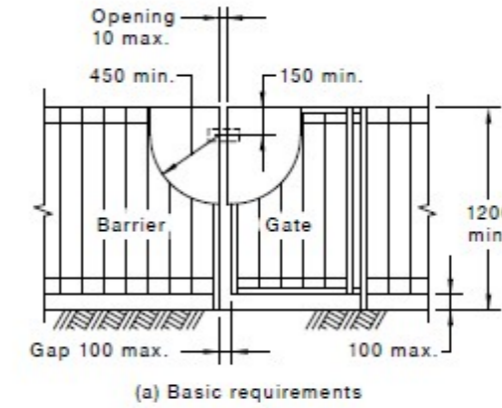
(a) Sloping ground



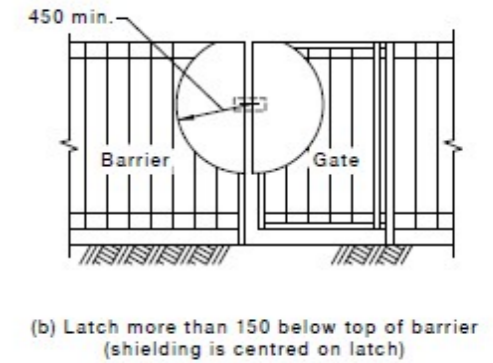
(b) Stepped ground

FIGURE 2.8 (in part) PERPENDICULAR BARRIER DIMENSIONS

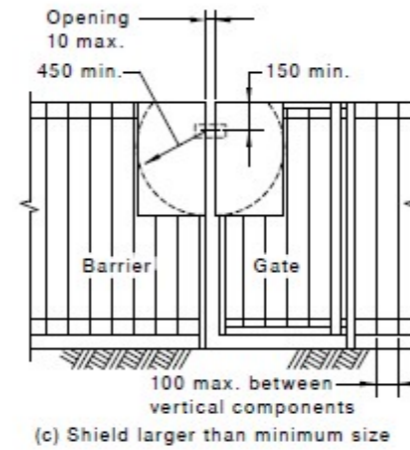
## LATCHING DEVICE SHIELDING



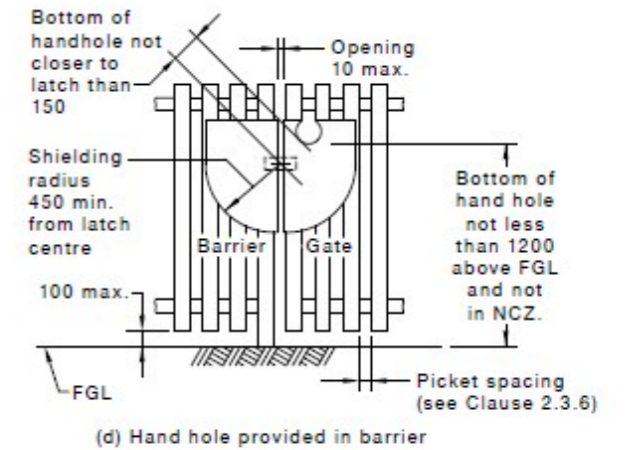
(a) Basic requirements



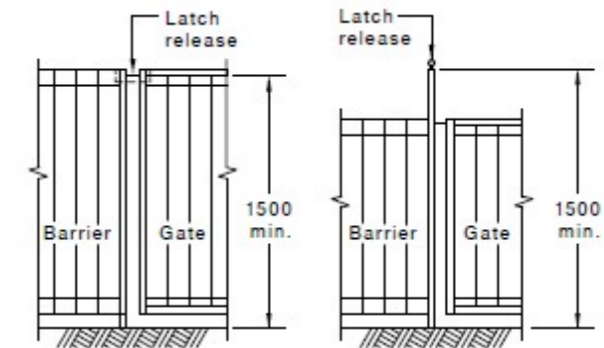
(b) Latch more than 150 below top of barrier (shielding is centred on latch)



(c) Shield larger than minimum size



(d) Hand hole provided in barrier



(e) Shield not required for latch or release located not less than 1500 above FGL

DIMENSIONS IN MILLIMETRES

FIGURE 2.9 ALTERNATIVE LATCH SHIELDING OPTIONS FOR GATES WITH VERTICAL OPENINGS 10-100 mm

**Building Approval**  
Is issued under section 28 of the Building Act 2004  
CBS Residential Certifiers Pty Ltd  
23/06/2025 Licenced No: 2019937

### COPYRIGHT STATEMENT

THIS PLAN ALWAYS REMAINS THE COPYRIGHT OF DESIGNER. AND SHALL NOT BE USED OTHER THAN FOR THE PROJECT WORK INTENDED WITHOUT WRITTEN AUTHORITY. NO PART MAY BE REPRODUCED BY ANY PROCESS, NOR MAY ANY OTHER EXCLUSIVE RIGHT BE EXERCISED, WITHOUT PERMISSION. LEGAL ENFORCEMENT WILL BE TAKEN ON COPYRIGHT INFRINGEMENT.

**ALL DIMENSIONS ARE IN MILLIMETERS. DO NOT SCALE FROM PLANS.**

DATE	DESCRIPTION	REV
17.06.2025	APPROVAL	1

CLIENT'S NAME:  
SITE ADDRESS:  
**38 Gledden Street,  
Chifley, ACT 2606,  
WODEN VALLEY/CHIFLEY/32/2**

SHEET NAME:	JOB NO:
<b>SAFETY BARRIOR NOTES 02</b>	<b>1521012</b>
DESIGN NAME:	RANGE:
<b>Avanti 8.5</b>	
SCALE @ A3:	SHEET NO:
	<b>4</b>
PROJECT STAGE:	REV NO:
<b>APPROVAL</b>	<b>1</b>
DATE:	
<b>17.06.2025</b>	