

### Schedule

<b>Land</b>	The unexpired term of the Lease	Unit	UP No.	Block	Section	Division/District
		1	15235	18	10	Pearce
and known as 30A Hodgson Crescent, Pearce						
<b>Seller</b>	Full name	Angus Karl Balmaks & Georgia Lauren Houston				
	ACN/ABN					
	Address	30A Hodgson Crescent, Pearce, ACT 2607				
<b>Seller Solicitor</b>	Firm	Conveyancing Canberra (ACT) Pty Ltd				
	Email	sale@conveyancingcanberra.com.au				
	Phone	02 6188 3570	Ref AJ:2026/000631			
	DX/Address	GPO Box 631, Canberra ACT 2601				
<b>Stakeholder</b>	Name	Hive Property (ACT) Pty Ltd Trust Account				
<b>Seller Agent</b>	Firm	Hive Property Canberra				
	Email	tom@hiveproperty.co				
	Phone	02 6182 1802	Ref Tom Wiggins			
	DX/Address	Level 1, 4 Campion Street, Deakin, ACT 2600				
<b>Restriction on Transfer</b>	Mark as applicable	<input checked="" type="checkbox"/> Nil <input type="checkbox"/> section 370 <input type="checkbox"/> section 280 <input type="checkbox"/> section 306 <input type="checkbox"/> section 351				
<b>Land Rent</b>	Mark one	<input checked="" type="checkbox"/> Non-Land Rent Lease <input type="checkbox"/> Land Rent Lease				
<b>Occupancy</b>	Mark one	<input checked="" type="checkbox"/> Vacant possession <input type="checkbox"/> Subject to tenancy				
<b>Breach of covenant or unit articles</b>	Description (Insert other breaches)	As disclosed in the Required Documents				
<b>Goods</b>	Description	Fixed floor coverings, window treatments, light fittings, microwave				
<b>Date for Registration of Units Plan</b>	Not applicable					
<b>Date for Completion</b>	28 days from the Date of this Contract					
<b>Electronic Transaction?</b>	<input type="checkbox"/> No		<input checked="" type="checkbox"/> Yes, using Nominated ELN:		PEXA	
<b>Land Tax to be adjusted?</b>	<input type="checkbox"/> No		<input type="checkbox"/> Yes			
<b>Residential Withholding Tax</b>	New residential premises?		<input checked="" type="checkbox"/> No		<input type="checkbox"/> Yes	
	Potential residential land?		<input checked="" type="checkbox"/> No		<input type="checkbox"/> Yes	
	Buyer required to make a withholding payment?		<input checked="" type="checkbox"/> No		<input type="checkbox"/> Yes (insert details on p.3)	
<b>Foreign Resident Withholding Tax</b>	Relevant Price more than \$750,000.00?		<input type="checkbox"/> No		<input type="checkbox"/> Yes	
	Clearance Certificates attached for all the Sellers?		<input checked="" type="checkbox"/> No		<input type="checkbox"/> Yes	

An agent may only complete the details in this black box and exchange this contract. See page 3 for more information.

<b>Buyer</b>	Full name					
	ACN/ABN					
	Address					
<b>Buyer Solicitor</b>	Firm					
	Email					
	Phone		Ref			
	DX/Address					
<b>Price</b>	Price	(GST inclusive unless otherwise specified)				
	Less deposit	(10% of Price)		<input type="checkbox"/> Deposit by Instalments (clause 52 applies)		
	Balance					
<b>Date of this Contract</b>						

<b>Co-Ownership</b>	Mark one (show shares)	<input type="checkbox"/> Joint tenants	<input type="checkbox"/> Tenants in common in the following shares:
---------------------	------------------------	--	---

**Read This Before Signing:** Before signing this Contract you should ensure that you understand your rights and obligations. You should read the important notes on page 3. You should get advice from your solicitor.

<b>Seller signature</b>	<b>Buyer signature</b>
Seller witness name and signature	Buyer witness name and signature

## Seller Disclosure Documents

The following marked documents are attached and form part of this Contract. The Buyer acknowledges that by execution of this Contract the Buyer certifies in writing that the Buyer received the marked documents prior to entering into this Contract.

- Crown lease of the Land (including variations)
- Current certified extract from the land titles register showing all registered interests affecting the Property
- Deposited Plan for the Land
- Energy Efficiency Rating Statement
- Encumbrances shown on the land titles register (excluding any mortgage or other encumbrance to be discharged)
- If there is an encumbrance not shown on the land titles register — a statement about the encumbrance complying with the Civil Law (Sale of Residential Property) Regulations
- Lease Conveyancing Inquiry Documents for the Property
- Building Conveyancing Inquiry Document (except if:
  - the Property is a Class A Unit
  - the residence on the Property has not previously been occupied or sold as a dwelling; or
  - this Contract is an “off-the-plan purchase”)
- Building and Compliance Inspection Report(s) (except if section 9(2)(a)(ii) or section 9(2)(a)(iii) of the Sale of Residential Property Act applies).
- Pest information (except if the property is a Class A Unit or is a residence that has never been occupied): Pest Inspection Report(s).
- Regulated Swimming Pool documentation required under section 9 (1)(ja) of the Sale of Residential Property Act (on and from 1 May 2024).

### If the Property is off-the-plan:

- Proposed plan
- Inclusions list

### If the Property is a Unit where the Units Plan is not registered:

- Inclusions list
- Disclosure Statement

### If the Property is a Unit where the Units Plan is registered:

- Units Plan concerning the Property
- Current certified extract from the land titles register showing all registered interests affecting the Common Property
- Unit Title Certificate
- Registered variations to rules of the Owners Corporation
- (If the Unit is an Adaptable Housing Dwelling) drawings and plans demonstrating compliance with Australian Standard AS 4299-1995 (Adaptable Housing) as in force from time to time
- (If the Owners Corporation is a party to a Building Management Statement) Building Management Statement

### If the Property is a Lot that is part of a Community Title Scheme:

- Section 67 Statement, as first or top sheet
- Community Title Master Plan
- Community Title Management Statement

### If the Property is a Lot that will form part of a Community Title Scheme:

- Proposed Community Title Master Plan or sketch plan
- Proposed Community Title Management Statement

### GST

- Not applicable
- Input taxed supply of residential premises
- Taxable supply (including new residential premises)
- GST-free supply of going concern
- Margin scheme applies

### Tenancy

- Tenancy Agreement
- No written Tenancy Agreement exists

### Invoices

- Building and Compliance Inspection Report
- Pest Inspection Report

### Asbestos

- Asbestos Advice
- Current Asbestos Assessment Report

### Damages for delay in Completion – applicable interest rate and legal costs and disbursements amount (see clause 22)

Interest rate if the defaulting party is the Seller	0% per annum
Interest rate if the defaulting party is the Buyer	10% per annum
Amount to be applied towards legal costs and disbursements incurred by the party not at fault	\$550.00 (GST inclusive)

### Tenancy Summary

Premises		Expiry date	
Tenant name		Rent	
Commencement date		Rent review date	
Term		Rent review mechanism	

### Managing Agent Details for Owners Corporation or Community Title Scheme (if no managing agent, secretary)

Name		Phone	
Address			

## RW Amount

(residential withholding payment) — further details

The supplier will frequently be the Seller. However, sometimes further information will be required as to which entity is liable for GST (eg if the Seller is part of a GST group, where the GST representative has the GST liability). If more than one supplier, provide details for each supplier.

<b>Supplier</b>	Name			
	ABN		Phone	
	Business address			
	Email			
<b>Residential Withholding Tax</b>	Supplier's portion of the RW Amount:		\$	
	RW Percentage:			%
	RW Amount (ie the amount that the Buyer is required to pay to the ATO):		\$	
	Is any of the consideration not expressed as an amount in money?	<input type="checkbox"/> No	<input type="checkbox"/> Yes	
	If 'Yes', the GST inclusive market value of the non-monetary consideration:		\$	
Other details (including those required by regulation or the ATO forms):				

## Cooling Off Period

(for residential property only)

- 1 The Buyer may rescind this Contract at any time before 5pm on the 5th Business Day after the day this Contract is made except if any circumstance in paragraph 2 applies.
- 2 There is no cooling off period if:
  - the Buyer is a corporation; or
  - the Property is sold by tender; or
  - the Property is sold by auction; or
  - before signing this Contract, the Buyer gives the Seller a certificate in the form required by the Sale of Residential Property Act signed by the Buyer Solicitor; or
  - this Contract is made on the same day the Property was offered for sale by auction but passed in and the Buyer was recorded in the bidders record as a bidder or a person for whom a bidder was bidding.
- 3 A Buyer exercising the cooling off right by rescinding this Contract forfeits 0.25% of the Price. The Seller is entitled to recover the amount forfeited from the Deposit and the Buyer is entitled to a refund of any balance.

## Warnings

- 1 The Lease may be affected by the *Residential Tenancies Act 1997 (ACT)* or the *Leases (Commercial & Retail) Act 2001 (ACT)*.
- 2 If a consent to transfer is required by law, see clause 4 as to the obligations of the parties.
- 3 As some risks associated with the Property pass from the Seller to Buyer on the Date of this Contract, (except if the Property is a Unit) the Buyer should take out insurance on the Property on the Date of this Contract.
- 4 The Buyer will usually have to pay stamp duty on the purchase of the Land. The Buyer may incur penalties if the Buyer does not pay the stamp duty within the required time.
- 5 There are serious risks to a Buyer releasing the Deposit before Completion. The Buyer should take legal advice before agreeing to release the Deposit.
- 6 The Buyer should consider the application of the Territory Plan and other planning and heritage issues before signing this Contract.
- 7 If the Lease is a concessional lease then restrictions on transfer and other dealings may apply.

## Disputes

If there is a dispute, the Law Society encourages the use of informal procedures such as negotiation, independent expert appraisal or mediation to resolve the dispute.

## Exchange of Contract

1 An Agent, authorised by the Seller, may:

- insert:
  - the name and address of, and contact details for, the Buyer;
  - the name and address of, and contact details for, the Buyer Solicitor;
  - the Price;
  - the Date of this Contract,
- insert in, or delete from, the Goods; and
- exchange this Contract.

2 An Agent must not otherwise insert, delete or amend this Contract.

3 **The Agent must not exchange this Contract unless expressly authorised by the Seller or (if a solicitor is acting for the Seller) by the Seller or the Seller Solicitor.**

The Seller agrees to sell and the Buyer agrees to buy the Property for the Price on these terms:

### 1. Definitions and interpretation

1.1 Definitions appear in the Schedule and as follows:

**Affecting Interests** means any mortgage, encumbrance, lease, lien, charge, notice, order, caveat, writ, or other interest;

**Adaptable Housing Dwelling** has the meaning in the Sale of Residential Property Act;

**Agent** has the meaning in the Sale of Residential Property Act;

**ATO** means the Australian Taxation Office, and includes the Commissioner for Taxation;

**Balance of the Price** means the Price less the Deposit;

**Breach of Covenant** means:

- a Development not approved under the Planning Act including a development for which design and siting approval has not been obtained;
- a breach of the Building and Development Provision;

- a breach of any obligation of the Seller in a registered restrictive covenant affecting the Lease;
- a breach of any other term of the Lease;
- a breach of the articles of the Owners Corporation (if the Property is a Unit); or
- an Unapproved Structure;

**Building Act** means the *Building Act 2004* (ACT);

**Building and Development Provision** has the meaning in the Planning Act;

**Building Conveyancing Inquiry Document** has the meaning in the Sale of Residential Property Act;

**Building and Compliance Inspection Report** has the meaning in the Sale of Residential Property Act;

**Building Management Statement** has the meaning in the Land Titles Act;

**Business Day** means any day other than a Saturday, Sunday, public holiday or bank holiday in the Australian Capital Territory;

**Class A Unit** has the meaning in the Sale of Residential Property Act;

**Common Property** for a Unit has the meaning in the Unit Titles Act;

**Common Property** for a Lot that forms part of a Community Title Scheme has the meaning in the Community Title Act;

**Community Title Act** means the *Community Title Act 2001* (ACT);

**Community Title Body Corporate** means the entity referred to as such in the Community Title Act;

**Community Title Management Statement** has the meaning in the Community Title Act;

**Community Title Master Plan** has the meaning in the Community Title Act;

**Community Title Scheme** has the meaning in the Community Title Act;

**Completion** means the time at which this Contract is completed and **Completed** has a corresponding meaning;

**Compliance Certificate** means a certificate issued for the Lease under section 296 of the *Planning and Development Act 2007*, Division 10.12.2 of the Planning Act or under section 28 of the *City Area Leases Act 1936* or under section 180 of the Land Act;

**Covenant** includes a restrictive covenant;

**Default Notice** means a notice in accordance with clause 18.5 and clause 18.6

**Default Rules** has the meaning in the Unit Titles Management Act;

**Deposit** means the deposit forming part of the Price;

**Developer** in respect of a Lot has the meaning in the Community Title Act;

**Developer Control Period** has the meaning in the Unit Titles Management Act;

**Development** has the meaning in the Planning Act;

**Development Statement** has the meaning in the Unit Titles Act;

**Disclosure Statement** has the meaning in the Property Act;

**Disclosure Update Notice** has the meaning in section 260(2) of the Property Act;

**Encumbrance** has the meaning in the Sale of Residential Property Act but excludes a mortgage;

**Energy Efficiency Rating Statement** has the meaning in the Sale of Residential Property Act;

**Excluded Change** has the meaning in section 259A(4) of the Property Act;

**General Fund Contribution** has the meaning in section 78(1) of the Unit Titles Management Act;

**GST** has the meaning in the *A New Tax System (Goods and Services Tax) Act 1999* (Cth);

**GST Rate** means the prevailing rate of GST specified as a percentage;

**Improvements** means the buildings, structures and fixtures erected on and forming part of the Land;

**Income** includes the rents and profits derived from the Property;

**Land Act** means the *Land (Planning & Environment) Act 1991* (ACT);

**Land Charges** means rates, land rent, land tax and other taxes and outgoings of a periodic nature in respect of the Property;

**Land Rent Act** means the *Land Rent Act 2008* (ACT);

**Land Rent Lease** means a Lease that is subject to the Land Rent Act;

**Land Titles Act** means the *Land Titles Act 1925* (ACT);

**Lease** means the lease of the Land having the meaning in the Planning Act;

**Lease Conveyancing Inquiry Document** has the meaning in the Sale of Residential Property Act;

**Legislation Act** means the *Legislation Act 2001*;

**Liability of the Owners Corporation** means any actual or contingent liability of the Owners Corporation attributable to the Unit on a Unit Entitlement basis (other than normal operating expenses) or expenditure to be made by the Owners Corporation to fulfil its obligations under the Unit Titles Management Act;

**Lot** has the meaning in the Community Title Act;

**Non-Land Rent Lease** means a Lease that is not subject to the Land Rent Act;

**Notice to Complete** means a notice in accordance with clause 18.1 and clause 18.2 requiring a party to complete;

**Owners Corporation** means the Owners Corporation for the Unit constituted or to be constituted under the Unit Titles Management Act following registration of the Units Plan;

**Pest Inspection Report** has the meaning in the Sale of Residential Property Act;

**Pest Treatment Certificate** has the meaning in the Sale of Residential Property Act;

**Planning Act** means the *Planning Act 2023* (ACT);

**Planning and Land Authority** has the meaning in the Legislation Act;

**Prescribed Building** has the meaning in the Building Act;

**Prescribed Terms** has the meaning in the Residential Tenancies Act;

**Property** means the unexpired term of the Lease, the Improvements and the Goods, or (if the Land is a Unit) the unexpired term of the Unit Lease, the Improvements and the Goods;

**Property Act** means the *Civil Law (Property) Act 2006* (ACT);

**Required Documents** has the meaning in the Sale of Residential Property Act and includes a Unit Title Certificate but excludes a copy of this Contract;

**Rescission Notice** has the meaning in the Sale of Residential Property Act;

**Residential Tenancies Act** means the *Residential Tenancies Act 1997* (ACT);

**Sale of Residential Property Act** means the *Civil Law (Sale of Residential Property) Act 2003* (ACT);

**Section 56 Certificate** means a certificate for a Lot issued under section 56 of the Community Title Act;

**Section 67 Statement** means a statement for a Lot complying with section 67(2)-(4) of the Community Title Act;

**Service** includes air, communication, drainage, electricity, garbage, gas, oil, radio, sewerage, telephone, television, or water service;

**Staged Development** has the meaning given by section 17(4) of the Unit Titles Act;

**Tenancy Agreement** includes a lease for any term and whether for residential purposes or otherwise;

**Unapproved Structure** has the meaning in the Sale of Residential Property Act;

**Unit** means the Unit referred to in the Schedule and which has the meaning in the Unit Titles Act;

**Unit Entitlement** for the Unit has the meaning in the Unit Titles Act;

**Unit Title** is the Lease together with the rights of the registered lessee of the Unit;

**Unit Title Certificate** means a certificate for the Unit issued under section 119 of the Unit Titles Management Act;

**Unit Titles Act** means the *Unit Titles Act 2001* (ACT);

**Unit Titles Management Act** means the *Unit Titles (Management) Act 2011* (ACT);

**Units Plan** means all the documents relating to the subdivision of the Land registered as the Units Plan for the Unit under the *Land Titles (Unit Titles) Act 1970*; and

**Withholding Law** means Subdivision 14 of Schedule 1 of the *Taxation Administration Act 1953* (Cth) and associated provisions.

## 1.2 In this Contract:

- a reference to the Seller or to the Buyer includes the executors, administrators and permitted assigns of any of them, if an individual, and the successors or permitted assigns of any of them, if a corporation;
- the singular includes the plural, and the plural includes the singular;
- a reference to a person includes a body corporate;
- a term not otherwise defined has the meaning in the Legislation Act; and
- a reference to an Act includes a reference to any subordinate legislation made under it or any Act which replaces it.

- 1.3 Headings are inserted for convenience only and are not part of this Contract.
- 1.4 If the time for something to be done or to happen is not a Business Day, the time is extended to the next Business Day, except in the case of clause 2.1.
- 1.5 A reference to “this Contract” extends to the Schedule, any annexure, additional clauses and attachments forming part of this Contract.
- 1.6 If there is more than one buyer or more than one seller the obligations which they undertake bind them jointly and individually.
- 1.7 Where the Buyer consists of more than one person, as between themselves, they agree to buy the Property in the specified manner of Co-ownership or if one alternative is not marked, as joint tenants.
- 1.8 Without limiting clause 13, the parties agree that for the purposes of the *Electronic Transactions Act 2001* (ACT) and the *Electronic Transactions Act 1999* (Cth), this Contract may be signed and/or exchanged electronically.

## 2. Terms of payment

- 2.1 The Buyer must pay the Deposit on the Date of this Contract, to the Stakeholder or, if no Stakeholder is named, then to the Seller.
- 2.2 The Deposit becomes the Seller’s property on Completion.
- 2.3 The Deposit may be paid by cheque or in cash (up to \$3,000.00) but if it is not paid on time or, if it is paid by cheque which is not honoured on first presentation, the Buyer is in default.
- 2.4 If the Buyer is in default under clause 2.3, then immediately and without the notice otherwise necessary under clause 18, clause 19 applies.
- 2.5 On Completion the Buyer must give the Seller an authority directing the Stakeholder to account to the Seller for the Deposit.
- 2.6 On Completion the Buyer must pay to the Seller in Canberra the Balance of the Price by unendorsed bank cheque, or in cash (up to \$200.00).
- 2.7 Any money payable to the Seller by the Buyer or the Stakeholder must be paid to the Seller or as the Seller Solicitor directs in writing and payment in accordance with that direction will be sufficient discharge to the person paying.
- 2.8 Completion must take place on the Date for Completion or as otherwise determined by this Contract and if not specified or determined, within a reasonable time.

### 3. Title to the Lease

- 3.1 The Lease is or will before Completion be granted under the Planning Act.
- 3.2 The Lease is transferred subject to its provisions.
- 3.3 The title to the Lease is or will before Completion be registered under the Land Titles Act.
- 3.4 The title to the Lease must be transferred free from all Affecting Interests except as otherwise provided.
- 3.5 The Buyer cannot insist on any Affecting Interests being removed from the title to the Lease before Completion provided, on Completion, the Seller gives the Buyer any documents and registration fees necessary to remove the Affecting Interests.

### 4. Restrictions on transfer

- 4.1 The Lease is not subject to any restrictions on transfer other than any Restriction on Transfer.
- 4.2 If the Lease is subject to a Restriction on Transfer under the Planning Act due to non-compliance with the Building and Development Provision then this Contract is subject to the grant of the approval referred to in section 370 of the Planning Act. A Restriction on Transfer referring to "section 370" refers to this restriction.
- 4.3 If the Lease is a lease of the type referred to in section 279 of the Planning Act then this Contract is subject to the approval in accordance with the Planning Act. A Restriction on Transfer referring to "section 280" refers to this restriction.
- 4.3A If the Lease is subject to a Restriction on Transfer under section 306 of the Planning Act, then this Contract is subject to the grant of the approval mentioned in sections 306 and 307 of the Planning Act. A Restriction on Transfer referring to "section 306" refers to this restriction.
- 4.3B If the Lease is subject to a Restriction on Transfer under section 351 of the Planning Act, then this Contract is subject to the grant of the approval mentioned in section 351 of the Planning Act. A Restriction on Transfer referring to "section 351" refers to this restriction. Immediately after the Date of this Contract the Seller must do everything reasonably necessary to remove the restriction or obtain the consent required. If requested in writing, the Buyer must join in any application of the Seller and must do everything reasonably necessary to enable the Seller to obtain the consent. The Seller must pay all associated fees in connection with the application.

- 4.4 If the consent referred to in clauses 4.2, 4.3, 4.3A or 4.3B is not granted by the Date for Completion then either party may rescind this Contract (provided that the party seeking to rescind is not then in default) and clause 21 applies.

### 5. Particulars of title and submission of transfer

- 5.1 Unless clause 5.3 applies the Seller need not provide particulars of title.
- 5.2 No later than 7 days before the Date for Completion, the Buyer must give the Seller a transfer of the Lease in the form prescribed by the Land Titles Act, to be returned by the Seller to the Buyer on Completion in registrable form.
- 5.3 If the Seller is not the registered proprietor of the Lease at the Date of this Contract, the Seller must give to the Buyer no later than 14 days before the Date for Completion a copy of the instrument and any other documents necessary to enable the Seller to be registered as proprietor.

### 6. Buyer rights and limitations

- 6.1 If the Buyer establishes before Completion that except as disclosed in this Contract there is any Unapproved Structure on the Property, then the Buyer may:
  - 6.1.1 require the Seller to arrange for the Unapproved Structure to be approved before Completion; and
  - 6.1.2 if the Unapproved Structure is not approved before Completion, rescind or complete and sue the Seller for damages.
- 6.2 If the Buyer establishes, immediately before Completion, that, except as disclosed in this Contract:
  - 6.2.1 the Property is subject to an encumbrance other than the encumbrances shown on the title to the Lease; or
  - 6.2.2 the Buyer is not entitled to vacant possession, then the Buyer may either:
    - 6.2.3 rescind; or
    - 6.2.4 complete and sue the Seller for damages.
- 6.3 The Buyer is not entitled to make any requisitions on the title to the Property.
- 6.4 The Buyer cannot make a claim or objection or rescind or terminate in respect of:
  - 6.4.1 a Service for the Property being a joint service or passing through another property, or any Service for another property passing through the Property;
  - 6.4.2 a wall being or not being a party wall or the Property being affected by an

easement for support or not having the benefit of an easement for support;

- 6.4.3 any change in the Property due to fair wear and tear before Completion;
- 6.4.4 a promise, representation or statement about this Contract, the Property or the Lease, not made in this Contract;
- 6.4.5 any Breach of Covenant described in the Schedule or disclosed elsewhere in this Contract;
- 6.4.6 the ownership or location of any dividing fence;
- 6.4.7 the ownership of any fuel storage tank; and
- 6.4.8 anything disclosed in this Contract (except an Affecting Interest).

## 7. Seller warranties

7.1 The Seller warrants that at the Date of this Contract:

- 7.1.1 the Seller will be able to complete at Completion;
- 7.1.2 the Seller has no knowledge of any unsatisfied judgment, order or writ affecting the Property;
- 7.1.3 the Seller has no knowledge of any current or threatened claims, notices or proceedings that may lead to a judgment, order or writ affecting the Property; and
- 7.1.4 the Seller is not aware of any material change in the matters disclosed in the Required Documents.

7.2 The Seller warrants that on Completion:

- 7.2.1 the Seller will be or will be able to be the registered proprietor of the Lease and will own the rest of the Property free from any Affecting Interests;
- 7.2.2 the Seller will have the capacity to complete;
- 7.2.3 there will be no unsatisfied judgment, order or writ affecting the Property;
- 7.2.4 the Seller has no knowledge of any current or threatened claims, notices or proceedings that may lead to a judgment, order or writ affecting the Property;
- 7.2.5 the Seller is not aware of any encroachments by or upon the Property except as disclosed. This warranty does not extend to the location of any dividing fence;
- 7.2.6 there will be no Breach of Covenant except as disclosed in this Contract; and
- 7.2.7 unless disclosed in the Schedule or elsewhere in this Contract, the Lease is a

Non-Land Rent Lease and not a Land Rent Lease.

- 7.3 The Seller gives no warranties as to the present state of repair of any of the Improvements or condition of the Land, except as required by law.

## 8. Adjustments

- 8.1 The Seller is entitled to the Income and is liable for all Land Charges up to and including Completion after which the Buyer will be entitled to the Income and liable for the Land Charges, provided the Seller will be liable for all land tax in respect of the Property if the 'Land Tax to be adjusted?' option on the Schedule is marked 'No'.
- 8.2 The parties must pay any adjustment of the Income and Land Charges calculated under clause 8.1 on Completion.
- 8.3 Any concessional Land Charges must be adjusted on the concessional amount of those Land Charges.
- 8.4 If any of the Land Charges have not been assessed on Completion, the Buyer will be entitled to retain in the Buyer Solicitor trust account from the Balance of the Price an amount sufficient to pay the Seller's proportion of those Land Charges.
- 8.5 Attached are copies of the relevant invoices for the cost of obtaining the Building and Compliance Inspection Report and Pest Inspection Report. The Buyer must pay to the Seller the cost of obtaining the Building and Compliance Inspection Report and the Pest Inspection Report as required by section 18 of the Sale of Residential Property Act on Completion.

## 9. Terms of possession

- 9.1 The Seller must give the Buyer vacant possession of the Property on Completion unless otherwise marked in the Schedule.
- 9.2 If the Property is sold subject to a tenancy, the Seller has:
  - 9.2.1 attached to this Contract a copy of the signed Tenancy Agreement; or
  - 9.2.2 completed the tenancy summary on page 2 of this Contract.
- 9.3 If the Property is sold subject to a tenancy:
  - 9.3.1 the Seller warrants that except as disclosed in this Contract:
    - (a) if applicable, the rental bond has been provided in accordance with the Residential Tenancies Act;
    - (b) if applicable, the Seller has complied with the Residential Tenancies Act;

- (c) if applicable, the Seller has no notice of any application by the tenant for the release of the rental bond;
- (d) no notices relating to the tenancy have been served on the Seller or any agent of the Seller or on the tenant other than as disclosed in this Contract and there are no outstanding claims or disputes with the tenant;
- (e) there is no unremedied breach of the Tenancy Agreement by the tenant or the Seller; and
- (f) if applicable, the Tenancy Agreement incorporates:
  - (i) the Prescribed Terms; and
  - (ii) any other terms approved by the Residential Tenancies Tribunal.

9.3.2 The Seller must hand to the Buyer on Completion:

- (a) any written Tenancy Agreement to which this Contract is subject;
- (b) a notice of attornment;
- (c) if applicable, any notice required to be signed by the Seller to transfer the rental bond by the Office of Rental Bonds to the Buyer; and
- (d) if applicable, any other notice required to be signed by the Seller under the Residential Tenancies Act.

9.3.3 The Buyer indemnifies the Seller in relation to any liability which the Seller incurs or to which the Seller is subject under the tenancy because of matters occurring after Completion.

## 10. Inspection and condition of Property

- 10.1 The Buyer may on reasonable notice to the Seller and at reasonable times inspect the Property before Completion.
- 10.2 The Seller must leave the Property clean and tidy on Completion.

## 11. Inspection of building file

- 11.1 The Seller must, if requested by the Buyer, give to the Buyer all authorities necessary to enable the Buyer (or Buyer's nominee) to inspect and obtain at the Buyer's expense, copies of:
  - 11.1.1 any document in relation to the Land and Improvements held by any government or statutory authority; and

- 11.1.2 any notices issued by any authority in relation to the Land and Improvements.

## 12. Additional Seller obligations

12.1 Except for any Breach of Covenant disclosed in this Contract, the Seller must before Completion:

- 12.1.1 comply with any notice issued by any authority before the Date of this Contract which requires work to be done or money to be spent on or in relation to the Property or the Lease;
- 12.1.2 obtain approval for any Development conducted on the Land;
- 12.1.3 comply with the Lease to the extent to which the Seller is required to comply up to Completion;
- 12.1.4 comply with any obligations on the Seller in a registered restrictive covenant affecting the Lease; and
- 12.1.5 give the Buyer notice of any material change (other than fair wear and tear) the Seller becomes aware of in the matters disclosed in the Required Documents, since the date of each of the relevant Required Documents.

## 13. Electronic transaction

13.1 In this clause 13, the following words mean:

**Adjustment Figures** mean details of the adjustments to be made to the Price under this Contract;

**Completion Time** means the time of day on the Date for Completion when the Electronic Transaction is to be Completed;

**Conveyancing Transaction** has the meaning given in the Participation Rules;

**Digitally Signed** has the meaning given in the Participation Rules and **Digitally Sign** has a corresponding meaning;

**Discharging Mortgagee** means any discharging mortgagee, chargee, covenant chargee or caveator whose provision of a Digitally Signed discharge of mortgage, discharge of charge or withdrawal of caveat is required in order for unencumbered title to the Lease to be transferred to the Buyer;

**ECNL** means the *Electronic Conveyancing National Law (ACT) Act 2020 (ACT)*;

**Effective Date** means the date on which the Conveyancing Transaction is agreed to be an Electronic Transaction under clause 13.2.2 or, if clause 13.2.1 applies, the Date of this Contract;

**Electronic Document** means a caveat, a Crown lease or an instrument as defined in the Land Titles Act which may be created and Digitally Signed in an Electronic Workspace;

**Electronic Transaction** means a Conveyancing Transaction to be conducted for the parties by their legal representatives as Subscribers using an ELN and in accordance with the ECNL and the Participation Rules;

**Electronic Transfer** means a transfer of the Lease under the Land Titles Act to be prepared and Digitally Signed in the Electronic Workspace established for the purposes of the parties' Conveyancing Transaction;

**Electronic Workspace** has the meaning given in the Participation Rules;

**Electronically Tradeable** means a land title dealing that can be lodged electronically;

**ELN** has the meaning given in the Participation Rules;

**FRCGW Remittance** means a remittance which the Buyer must make in accordance with the Withholding Law and clauses 51.4 to 51.8;

**GSTRW Payment** means a payment which the Buyer must make in accordance with the Withholding Law and clauses 53.5 to 53.9;

**Incoming Mortgagee** means any mortgagee who is to provide finance to the Buyer on the security of the Lease and to enable the Buyer to pay the whole or part of the price;

**Land Registry** has the meaning given in the Participation Rules;

**Lodgment Case** has the meaning given in the Participation Rules;

**Mortgagee Details** mean the details which a party to the Electronic Transaction must provide about any Discharging Mortgagee of the Land as at Completion;

**Nominated ELN** means the ELN specified in the Schedule;

**Participation Rules** mean the participation rules as determined by the ECNL;

**Populate** means to complete data fields in the Electronic Workspace;

**Prescribed Requirement** has the meaning given in the Participation Rules;

**Subscribers** has the meaning given in the Participation Rules; and

**Title Data** means the details of the title to the Lease made available to the Electronic Workspace by the Land Registry.

- 13.2 This Conveyancing Transaction is to be conducted as an Electronic Transaction and this Contract is amended as required if:
- 13.2.1 this Contract says that it is an Electronic Transaction; or
- 13.2.2 the parties otherwise agree that it is to be conducted as an Electronic Transaction.
- 13.3 However, this Conveyancing Transaction is not to be conducted as an Electronic Transaction:
- 13.3.1 if the title to the Lease is not Electronically Tradeable or the transfer of the Lease is not eligible to be lodged electronically; or
- 13.3.2 if, at any time after the Effective Date, but at least 14 days before the Date for Completion, a party serves a notice on the other party stating a valid reason why it cannot be conducted as an Electronic Transaction.
- 13.4 If, because of clause 13.3.2, this Conveyancing Transaction is not to be conducted as an Electronic Transaction:
- 13.4.1 each party must:
- (a) bear equally any disbursements or fees; and
- (b) otherwise bear that party's own costs; incurred because this Conveyancing Transaction was to be conducted as an Electronic Transaction; and
- 13.4.2 if a party has paid all of a disbursement or fee which by reason of this clause, is to be borne equally by the parties, that amount must be adjusted on Completion.
- 13.5 If this Conveyancing Transaction is to be conducted as an Electronic Transaction:
- 13.5.1 to the extent that any other provision of this Contract is inconsistent with this clause, the provisions of this clause prevail and this Contract is amended to give full effect to the Electronic Transaction;
- 13.5.2 without limiting clause 13.5.1, clause 5.2 does not apply;
- 13.5.3 the parties must conduct the Electronic Transaction:
- (a) in accordance with the Participation Rules and the ECNL; and
- (b) using the Nominated ELN, unless the parties otherwise agree;
- 13.5.4 a party must pay the fees and charges payable by that party to the ELN and the

- Land Registry as a result of this transaction being an Electronic Transaction; and
- 13.5.5 a document which is an Electronic Document is served as soon as it is first Digitally Signed in the Electronic Workspace on behalf of the party required to serve it.
- 13.6 The Seller must within 7 days of the Effective Date:
- 13.6.1 create an Electronic Workspace;
- 13.6.2 Populate the Electronic Workspace with Title Data, the Date for Completion and, if applicable, Mortgagee Details; and
- 13.6.3 invite the Buyer and any Discharging Mortgagee to the Electronic Workspace.
- 13.7 If the Seller has not created an Electronic Workspace in accordance with clause 13.6, the Buyer may create an Electronic Workspace. If the Buyer creates the Electronic Workspace the Buyer must:
- 13.7.1 Populate the Electronic Workspace with Title Data;
- 13.7.2 create and Populate the Electronic Transfer;
- 13.7.3 Populate the Electronic Workspace with the Date for Completion and a nominated Completion Time; and
- 13.7.4 invite the Seller and any Incoming Mortgagee to join the Electronic Workspace.
- 13.8 Within 7 days of receiving an invitation from the Seller to join the Electronic Workspace, the Buyer must:
- 13.8.1 join the Electronic Workspace;
- 13.8.2 create and Populate the Electronic Transfer;
- 13.8.3 invite any Incoming Mortgagee to join the Electronic Workspace; and
- 13.8.4 Populate the Electronic Workspace with a nominated Completion Time.
- 13.9 If the Buyer has created the Electronic Workspace the Seller must within 7 days of being invited to the Electronic Workspace:
- 13.9.1 join the Electronic Workspace;
- 13.9.2 Populate the Electronic Workspace with Mortgagee Details, if applicable; and
- 13.9.3 invite any Discharging Mortgagee to join the Electronic Workspace.
- 13.10 To complete the financial settlement schedule in the Electronic Workspace:
- 13.10.1 the Seller must provide the Buyer with Adjustment Figures at least 2 Business Days before the Date for Completion;
- 13.10.2 the Buyer must confirm the Adjustment Figures at least 1 Business Day before the Date for Completion; and
- 13.10.3 if the Buyer must make a GSTRW Payment and / or an FRCGW Remittance, the Buyer must Populate the Electronic Workspace with the payment details for the GSTRW Payment or FRCGW Remittance payable to the ATO at least 2 Business Days before the Date for Completion.
- 13.11 Before Completion, the parties must ensure that:
- 13.11.1 all Electronic Documents which a party must Digitally Sign to complete the Electronic Transaction are Populated and Digitally Signed;
- 13.11.2 all certifications required by the ECNL are properly given; and
- 13.11.3 they do everything else in the Electronic Workspace which that party must do to enable the Electronic Transaction to proceed to Completion.
- 13.12 If Completion takes place in the Electronic Workspace:
- 13.12.1 payment electronically on Completion of the Balance of the Price in accordance with clause 2.6 is taken to be payment by a single unendorsed bank cheque; and
- 13.12.2 clauses 51.4.3, 51.4.4, 53.8 and 53.9 do not apply.
- 13.13 If the computer systems of any of the Land Registry, the ELN, the ATO or the Reserve Bank of Australia are inoperative for any reason at the Completion Time agreed by the parties, a failure to complete this Contract for that reason is not a default under this Contract on the part of either party.
- 13.14 If the computer systems of the Land Registry are inoperative for any reason at the Completion Time agreed by the parties, and the parties agree that financial settlement is to occur despite this, then on financial settlement occurring:
- 13.14.1 all Electronic Documents Digitally Signed by the Seller, any discharge of mortgage, withdrawal of caveat or other Electronic Document forming part of the Lodgment Case for the Electronic Transaction shall be taken to have been unconditionally and irrevocably delivered to the Buyer or

the Buyer's mortgagee at the time of financial settlement; and

13.14.2 the Seller shall be taken to have no legal or equitable interest in the Property.

13.15 If the parties do not agree about the delivery before Completion of one or more documents or things that cannot be delivered through the Electronic Workspace, the party required to deliver the documents or things:

13.15.1 holds them on Completion in escrow for the benefit of the other party; and

13.15.2 must immediately after Completion deliver the documents or things to, or as directed by the party entitled to them.

#### 14. Off the plan purchase and Compliance Certificate

14.1 If the Lease contains a Building and Development Provision which has not been complied with at the Date of this Contract, and clause 4.2 does not apply:

14.1.1 where the Seller is obliged to construct Improvements by Completion, before the Date for Completion, the Seller must at the Seller's expense complete the construction of the Improvements promptly and in a good and workmanlike manner substantially in accordance with the proposed plan, specifications and inclusions list attached; and

14.1.2 on or before Completion, the Seller must at the Seller's expense give to the Buyer evidence that a Compliance Certificate has been obtained.

#### 15. Goods

15.1 The Seller gives no warranties as to the present state of repair of any of the Goods except as required by law.

15.2 The Goods are included in the Price.

15.3 The Seller warrants that the Goods are unencumbered and that the Seller has the right to sell them.

15.4 The Goods become the Buyer's property on Completion.

15.5 Except for fair wear and tear, the Seller must give the Goods to the Buyer on Completion in the same state of repair they are in at the Date of this Contract.

#### 16. Errors and misdescriptions

16.1 If, before Completion, the Buyer becomes aware of an error in the description of the Property the Buyer may:

16.1.1 identify whether the error is material or not material, and ask the Seller to arrange for the error to be corrected before Completion; and

16.1.2 if the error is not corrected before Completion:

(a) for an error that is material — rescind this Contract, or complete this Contract and make a claim for compensation; and

(b) for an error that is not material — complete this Contract and make a claim for compensation.

16.2 This clause applies even if the Buyer did not take notice of or rely on anything in this Contract containing or giving rise to the error or misdescription.

16.3 The Buyer is not entitled to compensation to the extent the Buyer knew the true position before the Date of this Contract.

#### 17. Compensation claims by Buyer

17.1 To make a claim for compensation (including a claim under clause 16) the Buyer must give notice to the Seller before Completion specifying the amount claimed and:

17.1.1 the Seller can rescind if in the case of a claim that is not a claim for delay:

(a) the total amount claimed exceeds 5% of the Price;

(b) the Seller gives notice to the Buyer of an intention to rescind; and

(c) the Buyer does not give notice to the Seller waiving the claim within 14 days after receiving the notice; and

17.1.2 if the Seller does not rescind under clause 17.1.1, the parties must complete and:

(a) the lesser of the total amount claimed and 5% of the Price must be paid out of the Price to, and held by, the Stakeholder until the claim is finalised or lapses;

(b) the amount held is to be invested by the Stakeholder (at the risk of the party who becomes entitled to it) with an Australian bank in an interest-bearing account at call in the name of

- the Stakeholder in trust for the Seller and the Buyer;
- (c) the claim must be finalised by an arbitrator appointed by the parties or, if an appointment is not made within 28 days of Completion, by an arbitrator appointed by the President of the Law Society of the Australian Capital Territory at the request of a party;
  - (d) the decision of the arbitrator is final and binding;
  - (e) the costs of the arbitration must be shared equally by the parties unless otherwise determined by the arbitrator. For clarity, the arbitrator has the power to award indemnity costs on a legal basis against either party;
  - (f) the Buyer is not entitled, in respect of the claim, to more than the total amount claimed and the costs of the Buyer;
  - (g) interest on the amount held, after deduction of all taxes and bank charges, Stakeholder administration fee and other similar charges and expenses, must be paid to the parties equally or as otherwise determined by the arbitrator; and
  - (h) the claim lapses if the parties do not appoint an arbitrator and neither party asks the President of the Law Society of the Australian Capital Territory to appoint an arbitrator within 90 days after Completion and the amount held by the Stakeholder must be paid immediately to the Seller without any further authority being necessary.
- 18.3.2 be ready willing and able to complete but for some default or omission of the other party.
- 18.4 Completion at the time date and place specified in the Notice to Complete is an essential term.
- 18.5 Where one party is in default (other than failing to complete) the other party may at any time after the default serve the party in default a Default Notice.
- 18.6 A Default Notice:
- 18.6.1 must specify the default;
  - 18.6.2 must require the party served with the Default Notice to rectify the default within 7\* days after service of the Default Notice (excluding the date of service), except in the case of a Default Notice for the purposes of clause 52.6, in which case the period specified in clause 52.6 will apply; and
  - 18.6.3 cannot be used to require a party to complete this Contract.
- 18.7 At the time the Default Notice is served, the party serving the Default Notice must not be in default.
- 18.8 The time specified in a Default Notice to rectify the specified default is an essential term.
- 18.9 Clauses 19 or 20 will apply as appropriate where the party served does not comply with the Notice to Complete or the Default Notice which complies with this clause.
- 18.10 If the party serving a notice under this clause varies the time referred to in the notice at the request of the other party, the time agreed to in the variation remains an essential term. The consent to the variation must be in writing and be served on the other party.
- 18.11 The parties agree that the time referred to in clauses 18.2 and 18.6.2 is fair and reasonable.

## 18. Notice to Complete and Default Notice

- 18.1 If Completion does not take place in accordance with clause 2.8, either party may, at any time after the Date for Completion, serve the other party a Notice to Complete.
- 18.2 A Notice to Complete must appoint a time during business hours and a date being not less than 14\* days after service of the Notice to Complete (excluding the date of service) by which and a place in Canberra at which to complete this Contract.
- 18.3 At the time the Notice to Complete is served the party serving the Notice to Complete must:
- 18.3.1 not be in default; and

## 19. Termination — Buyer default

- 19.1 If the Buyer does not comply with a Notice to Complete or a Default Notice or is otherwise in breach of an essential term then the Seller may by notice served on the Buyer terminate and may then keep, or recover and keep, the Deposit (except so much of it as exceeds 10% of the Price) and either:
- 19.1.1 sue the Buyer for breach; or
  - 19.1.2 resell the Property and any deficiency arising on the resale and all expenses of and incidental to the resale or attempted resale and the Buyer's default are

\* Alter as necessary

recoverable by the Seller from the Buyer as liquidated damages provided the Seller has entered into a contract for the resale of the Property within 12 months of termination.

- 19.2 In addition to any money kept or recovered under clause 19.1, the Seller may retain on termination any other money paid by the Buyer as security for any damages awarded to the Seller arising from the Buyer's default provided that proceedings for the recovery of damages are commenced within 12 months of termination.

## 20. Termination – Seller default

- 20.1 If the Seller does not comply with a Notice to Complete or a Default Notice or is otherwise in breach of an essential term the Buyer may by notice served on the Seller either:

- 20.1.1 terminate and seek damages; or
- 20.1.2 enforce without further notice any other rights and remedies available to the Buyer.

- 20.2 If the Buyer terminates, the Stakeholder is authorised to refund to the Buyer immediately any money paid on account of the Price.

## 21. Rescission

- 21.1 Unless section 15 of the Sale of Residential Property Act applies, if this Contract is rescinded, it is rescinded from the beginning, and unless the parties otherwise agree:

- 21.1.1 the Deposit and all other money paid by the Buyer must be refunded to the Buyer immediately without any further authority being necessary; and
- 21.1.2 neither party is liable to pay the other any amount for damages, costs or expenses.

## 22. Damages for delay in Completion

- 22.1 If Completion does not occur by the Date for Completion, due to the default of either party, the party who is at fault must pay the other party as liquidated damages on Completion:

- 22.1.1 if the defaulting party is the Seller, interest on the Price at the rate this Contract says on page 2, calculated on a daily basis from the date 7 days after the Date for Completion to Completion;
- 22.1.2 if the defaulting party is the Buyer, interest on the Price at the rate this Contract says on page 2, calculated on a daily basis from the date 7 days after the Date for Completion to Completion; and
- 22.1.3 the amount this Contract says on page 2 to be applied towards any legal costs and disbursements incurred by the party not

at fault if Completion occurs later than 7 days after the Date for Completion.

- 22.2 Whether or not percentages are inserted in clauses 22.1.1 or 22.1.2 the party at fault must pay the amount specified in clause 22.1.3 in addition to any other damages to which the party not at fault is entitled both at law and under this Contract.

- 22.3 The parties agree that:

- 22.3.1 the amount of any damages payable under clause 22.1.1 or clause 22.1.2 to the party not in default is a genuine and honest pre-estimate of loss to that party for the delay in Completion, and
- 22.3.2 the damages must be paid on Completion.

## 23. Foreign Buyer

- 23.1 The Buyer warrants the Commonwealth Treasurer cannot prohibit and has not prohibited the transfer of the Lease under the *Foreign Acquisitions and Takeovers Act 1975* (Cth).

- 23.2 This clause is an essential term.

## 24. GST

- 24.1 If a party must pay the Price or provide any other consideration to another party under this Contract, GST is not to be added to the Price or amount, unless this Contract provides otherwise.

- 24.2 If the Price is stated in the Schedule to exclude GST and the sale of the Property is a taxable supply, the Buyer must pay to the Seller on Completion an amount equal to the GST payable by the Seller in relation to the supply.

- 24.3 If under this Contract a party (Relevant Party) must make an adjustment, pay an amount to another party (excluding the Price but including the Deposit if it is released or forfeited to the Seller) or pay an amount payable by or to a third party:

- 24.3.1 the Relevant Party must adjust or pay at that time any GST added to or included in the amount; but
- 24.3.2 if this Contract says this sale is a taxable supply, and payment would entitle the Relevant Party to claim an input tax credit, the adjustment or payment is to be worked out by deducting any input tax credit to which the party receiving the adjustment or payment is or was entitled multiplied by the GST Rate.

- 24.4 If this Contract says this sale is the supply of a going concern:

- 24.4.1 the parties agree the supply of the Property is the supply of a going concern;
  - 24.4.2 the Seller must on Completion supply to the Buyer all of the things that are necessary for the continued operation of the enterprise;
  - 24.4.3 the Seller must carry on the enterprise until Completion;
  - 24.4.4 the Buyer warrants to the Seller that on Completion the Buyer will be registered or required to be registered; and
  - 24.4.5 if for any reason (and despite clauses 24.1 and 24.4.1) the sale of the Property is not the supply of a going concern but is a taxable supply:
    - (a) the Buyer must pay to the Seller on demand the amount of any GST payable by the Seller in respect of the sale of the Property; and
    - (b) the Buyer indemnifies the Seller against any loss or expense incurred by the Seller in respect of that GST and any breach of clause 24.4.5(a).
- 24.5 If this Contract says the margin scheme applies:
- 24.5.1 the Seller warrants that it can use the margin scheme; and
  - 24.5.2 the Buyer and Seller agree that the margin scheme is to apply,
- in respect of the sale of the Property.
- 24.6 If this Contract says the sale is a taxable supply, does not say the margin scheme applies to the sale of the Property, and the sale is in fact not a taxable supply, then the Seller must pay the Buyer on Completion an amount of one-eleventh of the Price.
- 24.7 Unless the margin scheme applies the Seller must, on Completion, give the Buyer a tax invoice for any taxable supply by the Seller by or under this Contract.

## 25. Power of attorney

- 25.1 Any party who signs this Contract or any document in connection with it under a power of attorney must, on request and without cost, provide the other party with a true copy of the registered power of attorney.

## 26. Notices claims and authorities

- 26.1 Notices, claims and authorities required or authorised by this Contract must be in writing.
- 26.2 To serve a notice a party must:
  - 26.2.1 leave it at; or

- 26.2.2 send it by a method of post requiring acknowledgment of receipt by the addressee to,  
the address of the person to be served as stated in the Schedule or as notified by that person to the other as that person's address for service under this Contract; or
  - 26.2.3 serve it on that party's solicitor in any of the above ways; or
  - 26.2.4 deliver it to an appropriate place in the facilities of a document exchange system in which the recipient solicitor has receiving facilities (and in the latter case service is deemed effected on the Business Day following delivery); or
  - 26.2.5 transmit it by email to a party's solicitor to the email address for that solicitor as stated in the Schedule or as notified by that solicitor to the other solicitor as the email address for service under this Contract.
- 26.3 A party's solicitor may give a notice, claim or authority on behalf of that party.

## 27. Unit title

- 27.1 The following clauses 28 to 39 inclusive apply if the Property is a Unit.

## 28. Definitions and interpretation

- 28.1 A reference in these clauses 28 to 39 inclusive to a section or Part is a reference to a section or Part of the Unit Titles Management Act.
- 28.2 For the purposes of a claim for compensation pursuant to clause 39, the provisions of clause 17 will apply provided that clause 17.1.1(c) is amended to read "the Buyer does not give notice to the Seller waiving the claim, or so much of it as exceeds 5% of the Price within 14 days after receiving the notice".

## 29. Title to the Unit

- 29.1 Clauses 3.1, 3.2 and 3.3 do not apply.
- 29.2 The Unit Title is or will before Completion be granted under the Planning Act and is or will before Completion be registered under the *Land Titles (Unit Titles) Act 1970 (ACT)*.
- 29.3 The Unit Title is transferred subject to the Units Plan under which the lease to the Unit is held.

## 30. Buyer rights limited

- 30.1 In addition to clause 6, the Buyer cannot make any requisition on title or make a claim for compensation in respect of any Breach of Covenant of the Unit Title, any breach of the

lease of the Common Property or breach of rules of the Owners Corporation disclosed in this Contract.

### 31. Adjustment of contribution

31.1 Any adjustment under clause 8 must include an adjustment of the contributions to the Owners Corporation under section 78 and section 89 of the Unit Titles Management Act.

### 32. Inspection of Unit

32.1 For the purposes of clause 10.1 Property includes the Common Property.

### 33. Seller warranties

33.1 The Seller warrants that at the Date of this Contract:

33.1.1 to the Seller's knowledge, there are no unfunded latent or patent defects in the Common Property or Owners Corporation assets, other than the following:

- (a) defects arising through fair wear and tear; and
- (b) defects disclosed in this Contract;

33.1.2 the Owners Corporation records do not disclose any defects to which the warranty in clause 33.1.1 applies;

33.1.3 to the Seller's knowledge, there are no actual, contingent or expected unfunded liabilities of the Owners Corporation that are not part of the Owners Corporation's normal operating expenses, other than liabilities disclosed in this Contract;

33.1.4 the Owners Corporation records do not disclose any liabilities of the Owners Corporation to which the warranty in clause 33.1.3 applies;

33.1.5 the Seller or any occupier of the Unit has not committed any act or omission which may cause the Owners Corporation to incur any costs or perform any repairs;

33.1.6 there is no amount payable to the Owners Corporation by the Seller other than a contribution due under section 78 and section 89 of the Unit Titles Management Act; and

33.1.7 except for an unregistered Units Plan, the rules of the Owners Corporation are, as appropriate:

- (a) as set out in Schedule 4 to the Unit Titles Management Act; or

(b) in respect of a corporation established under the *Unit Titles Act 1970* (*repealed*) and that was in existence immediately prior to 30 March 2012, the articles in force immediately prior to 30 March 2012; or

(c) in respect of a corporation established under the Unit Titles Act and that was in existence immediately prior to 30 March 2012, the articles in force immediately prior to 30 March 2012;

except for any alterations to those rules registered under section 108.

33.2 For clauses 33.1.1 to 33.1.4 inclusive, a Seller is taken to have knowledge of a thing if the Seller has actual knowledge, or ought reasonably to have knowledge, of that thing.

33.3 The Seller warrants that at Completion to the Seller's knowledge, there are no circumstances (other than circumstances disclosed in this Contract) in relation to the affairs of the Owners Corporation likely to significantly prejudice the Buyer.

33.4 For the purposes of clause 7, Property includes the Common Property.

33.5 These warranties are in addition to those given in clause 7.

### 34. Damage or destruction before Completion

34.1 If the Unit is destroyed or substantially damaged before Completion not due to the fault of either party then either party may by notice to the other rescind and clause 21 applies.

34.2 For the purposes of clause 34.1, the Unit is deemed to be substantially damaged if though not destroyed is unfit for the use to which it was being put at the Date of this Contract or, if not being used at that time, for the purpose permitted by the Unit Title.

### 35. Notice to Owners Corporation

35.1 The parties must comply with the rules of the Owners Corporation in relation to notification of the sale and purchase of the Unit.

### 36. Unit Title Certificate

36.1 On Completion the Buyer must pay to the Seller the fee as determined by the Minister pursuant to section 119(7) of the Units Title Management Act for the Unit Title Certificate attached.

### 37. Unregistered Units Plan

**Warning:** The following clauses 37, 38 and 39 do not encompass all obligations, rights and remedies under Part 2.9 of the Property Act for off the plan contracts.

- 37.1 This clause 37 applies if at the Date of this Contract, the Units Plan has not been registered.
- 37.2 The Seller must attach a copy of the proposed Units Plan or a sketch plan showing the location and dimensions of the Unit sufficient to enable the Buyer to determine the location and dimensions of the Unit in relation to other units and the Common Property in the proposed development.
- 37.3 If the Units Plan is not registered by the date specified in the Schedule, or elsewhere in this Contract, the Buyer may at any time after that date by notice served on the Seller require that the Units Plan be registered within 14 days of the service of the notice. If the Units Plan is not registered within the time limited by the notice the Buyer may at any time after expiry of the time in the notice rescind and clause 21 will apply.
- 37.4 If the Seller notifies the Buyer that the Units Plan is registered before rescission under this clause, the Buyer will not be entitled to rescind under this clause.
- 37.5 The Buyer cannot make any objection or requisition on title or claim for compensation in respect of:
- 37.5.1 any minor variations to the Unit between the plan attached, and the Units Plan registered by the Registrar General; or
- 37.5.2 any minor alterations required by an authority or the Registrar General in the number, size, location or Unit Entitlement of any other unit in the Units Plan or in or to the Common Property provided the proportion of the Unit Entitlement of the Unit to the other units in the Units Plan is not varied.
- In this clause, a minor variation is any variation less than 5% to either the size or value of the Unit described in the plan attached.
- 37.6 After the Owners Corporation has been constituted under section 8, the Seller must cause the Owners Corporation to comply with the rules of the Owners Corporation and with Parts 2, 3, 4, 5 and 7 to the extent to which the Owners Corporation is required by law to comply with those provisions up to the Date for Completion.
- 37.7 The Seller must not permit the Owners Corporation to vary the rules of the Owners

Corporation from those set out in Schedule 4 of the Unit Title Management Act.

- 37.8 If clause 37.1 applies, the Seller must give to the Buyer a Unit Title Certificate at the Buyer's expense at least 7 days before Completion.
- 37.9 The parties acknowledge that the following must form part of the Contract:
- 37.9.1 a Disclosure Statement for the Unit that complies with the requirements of section 260 of the Property Act; and
- 37.9.2 if a right to approve the keeping of animals during the Developer Control Period is reserved — details of the reservation, including the kind and number of animals.
- 37.10 The Seller warrants that the information disclosed in the Disclosure Statement, including information in any Disclosure Update Notice, is accurate.

### 38. Rescission of Contract

- 38.1 The Buyer may, by written notice given to the Seller, rescind this Contract if:
- 38.1.1 there would be a breach of a warranty provided in any of clauses 33.1.1, 33.1.2, 33.1.3, 33.1.4 or 33.3, were this Contract completed at the time it is rescinded; or
- 38.1.2 there would be a breach of a warranty provided in clause 37.10:
- (a) were this Contract completed at the time it is rescinded; and
- (b) the Buyer is significantly prejudiced by the breach,
- and the breach does not relate to an amendment to the Development Statement that is an Excluded Change.
- 38.2 A notice must be given:
- 38.2.1 under clause 38.1.1:
- (a) if this Contract is entered before the Units Plan for the Unit is registered — not later than 3 days before the Buyer is required to complete this Contract; or
- (b) in any other case — not later than 14 days after the later of the following happens:
- (i) the Date of this Contract; and
- (ii) another period agreed between the Buyer and Seller ends; or

38.2.2 under clause 38.1.2 – at any time before the Buyer is required to complete this Contract.

38.3 If the Buyer rescinds this Contract, the Seller must repay any amount paid to the Seller towards the purchase of the Unit and otherwise the provisions of clause 21 will apply.

## 39. Claims for compensation

39.1 This clause 39 applies if, before Completion, the Buyer reasonably believes that, except as disclosed in this Contract, there would be a breach of a warranty established under any of clauses 33.1.1, 33.1.2, 33.1.3, 33.1.4, 33.3 or 37.10 were this Contract to be completed.

39.2 The Buyer may, by written notice given to the Seller:

39.2.1 tell the Seller:

- (a) about the breach; and
- (b) that the Buyer will complete this Contract; and

39.2.2 claim compensation for the breach.

39.3 A notice under clause 39.2 must be given:

39.3.1 if this Contract is entered before the Units Plan for the Unit is registered – not later than 3 days before the Buyer is required to complete this Contract; or

39.3.2 in any other case – not later than 14 days after the later of the following happens:

- (a) the Buyer's copy of the Contract is received by the Buyer;
- (b) another period agreed between the Buyer and Seller ends.

39.4 The Buyer may not claim compensation under this clause 39 only because of the breach of a warranty related to an amendment to the Development Statement that is an Excluded Change.

## 40. Community title

40.1 The following clauses 41 to 50 inclusive apply if the Property is, or will on Completion form, a Lot within a Community Title Scheme.

## 41. Definitions and interpretation

41.1 A reference in these clauses 40 to 50 inclusive to a section or Part is a reference to a section or Part of the Community Title Act.

## 42. Buyer rights limited

42.1 In addition to clause 6, the Buyer cannot make any requisition on title or make a claim for

compensation in respect of any breach of the lease of the Common Property or breach of rules or by-laws of the Community Title Body Corporate disclosed in this Contract.

## 43. Adjustment of contribution

43.1 Any adjustment under clause 8 must include an adjustment of the contributions to the fund under section 45.

## 44. Inspection of property

44.1 For the purposes of clause 10.1 Property includes the Common Property.

## 45. Unregistered Community Title Scheme

45.1 This clause 45 applies if at the Date of this Contract, the Community Title Scheme has not registered.

45.2 The Seller must attach a copy of the proposed Community Title Master Plan, or a sketch plan showing the location and dimensions of the Lot sufficient to enable the Buyer to determine the location and dimensions of the Lot in relation to other lots and the Common Property in the proposed scheme.

45.3 The Seller must attach a copy of the proposed Community Title Management Statement.

45.4 The Buyer cannot make any objection or requisition on title or claim for compensation in respect of:

45.4.1 any minor variations to the Lot between the plan attached, and the registered Community Title Master Plan; or

45.4.2 any minor alterations required by an authority or the Registrar General in the number, size, location or entitlement of any other Lot in the Community Title Scheme or in or to the Common Property provided the proportion of the entitlement of the Lot to the other lots in the Community Title Scheme is not varied; or

45.4.3 any minor variations between the proposed Community Title Management Statement and the registered Community Title Management Statement.

In this clause, a minor variation is any variation less than 5% to either the size or value of the Lot described in the plan attached and referred to in the proposed Community Title Management Statement.

45.5 The Seller must not permit the Community Title Body Corporate to vary the by-laws of the

Community Title Scheme from those set out in Schedule 1 of the Community Title Act, unless otherwise disclosed in this Contract.

- 45.6 After the Community Title Body Corporate has been constituted under section 30, the Seller must cause the Community Title Body Corporate to comply with Part 8 to the extent to which the Community Title Body Corporate is required by law to comply with those provisions up to the Date for Completion.

#### **46. Incomplete development of Community Title Scheme**

- 46.1 This clause 46 applies if at the Date of this Contract, development of the Community Title Scheme has not completed.
- 46.2 Until the development of a Community Title Scheme is finished, the Developer warrants to the Buyer that the development will be carried out in accordance with the scheme.
- 46.3 Without limiting the damages recoverable for breach of the warranty in clause 46.2, the Buyer may recover damages for the loss of a reasonably expected capital appreciation of the Lot that would have resulted from completion of the development in accordance with the terms of the Community Title Scheme.

#### **47. Incomplete development of Lot**

- 47.1 This clause 47 applies if at the Date of this Contract, the Lot is to be developed or further developed in accordance with the Community Title Scheme. For clarity, this clause does not apply if an unconditional Compliance Certificate has issued before the Date of this Contract and the Seller gives to the Buyer evidence acceptable to the Registrar General that an unconditional Compliance Certificate has issued for the Lot, or if the Seller gives an unconditional Compliance Certificate to the Buyer on Completion.
- 47.2 The Buyer becomes bound to develop the Lot in accordance with the Community Title Scheme.
- 47.3 The Seller must give written notice of the proposed sale of the Lot to the Planning and Land Authority.
- 47.4 The Buyer must:
- 47.4.1 give to the Planning and Land Authority a written undertaking to develop the Lot in accordance with the Community Title Scheme (if a form is approved for an undertaking, the form must be used); and
- 47.4.2 give the Planning and Land Authority any security required by the Planning and Land Authority, within 28 days after notice of the transaction was given to the

Planning and Land Authority, for the development of the Lot in accordance with the Community Title Scheme.

#### **48. Required first or top sheet**

- 48.1 The Seller must give to the Buyer, before the Buyer enters into this Contract, a Section 67 Statement.
- 48.2 The Section 67 Statement must:
- 48.2.1 state that the Lot is included in a Community Title Scheme that imposes obligations on the owner of the Lot;
- 48.2.2 state the name and address of:
- (a) the body corporate of the scheme; or
- (b) if it is the duty of the Community Title Body Corporate manager to act for the Community Title Body Corporate in supplying Section 56 Certificates – the manager;
- 48.2.3 state the amount of annual contributions currently fixed by the Community Title Body Corporate as payable by the owner of the Lot;
- 48.2.4 identify improvements on common property of the scheme for which the owner of the Lot is responsible;
- 48.2.5 be signed by the Seller or a person authorised by the Seller; and
- 48.2.6 be substantially complete.
- 48.3 The Seller must attach to this Contract, as a first or top sheet, a copy of the Section 67 Statement given to the Buyer under clause 48.1.
- 48.4 The Buyer may rescind this Contract if:
- 48.4.1 the Seller has not complied with clauses 48.1 and 48.3; and
- 48.4.2 Completion has not taken place.

#### **49. Notice to Community Title Body Corporate**

- 49.1 The parties must comply with the rules and by-laws of the Community Title Body Corporate in relation to notification of the sale and purchase of the Lot.

#### **50. Section 56 Certificate**

- 50.1 The Seller must give to the Buyer a Section 56 Certificate at least 7 days before Completion.
- 50.2 On Completion, the Buyer must pay to the Seller the fee charged for the Section 56 Certificate.

## 51. Foreign Resident Withholding Tax

**Warning:** The questions in the Schedule regarding the Relevant Price and the Clearance Certificates are not binding, and are included to remind the parties of their obligations under the Withholding Law.

**Warning:** The following clauses 51.1 to 51.8 are subject to the Withholding Law, and do not encompass all obligations under the Withholding Law.

51.1 In this clause 51 the following words have the following meanings:

**CGT Asset** has the meaning in the *Income Tax Assessment Act 1997*;

**Clearance Certificate** means a certificate issued under section 14-220 of the Withholding Law that covers the date of Completion;

**Relevant Percentage** means the percentage amount stated in section 14-200(3)(a) and 14-205(4)(a) of the Withholding Law;

**Relevant Price** means the higher of:

- the Price (including GST); and
- the market value of the CGT Assets sold under this Contract;

as at the Date of this Contract;

**Variation Certificate** means a certificate issued under section 14-235 of the Withholding Law that covers the date of Completion;

**Withholding Amount** means, subject to clauses 51.6 and 51.7, the Relevant Percentage of the first element of the CGT Asset's cost base (for all CGT Assets sold under this Contract) as at the Date of this Contract; and

**Withholding Law** means Subdivision 14-D of Schedule 1 of the *Taxation Administration Act 1953* and associated provisions.

51.2 If the Relevant Price is less than the dollar amount stated in section 14-215(1)(a) of the Withholding Law as at the Date of this Contract, the parties acknowledge that there are no obligations under the Withholding Law.

51.3 If Clearance Certificates for all the Sellers are provided to the Buyer prior to Completion, the parties acknowledge that there are no obligations under the Withholding Law.

51.4 If neither clauses 51.2 or 51.3 apply, then:

51.4.1 the Seller must provide to the Buyer any information required to enable the Buyer to comply with clause 51.4.2(a), within 5 days of written request from the Buyer;

51.4.2 the Buyer must:

(a) lodge a purchaser payment notification form with the ATO; and

(b) give evidence of compliance with clause 51.4.2(a) to the Seller;

no later than 5 days before the Date for Completion;

51.4.3 the Seller irrevocably instructs the Buyer to draw as part of the Price, and the Buyer must draw and retain on Completion, an unendorsed bank cheque payable to the ATO for the Withholding Amount; and

51.4.4 the parties must both, on the date of Completion, attend the offices of an authorised collection agent of the ATO to deposit the bank cheque referred to in clause 51.4.3 in payment of the Withholding Amount following Completion.

51.5 If clause 51.4 applies and the parties do not comply with clause 51.4.4:

51.5.1 the Buyer indemnifies the Seller for any loss or damage resulting from the Buyer's delay in remitting and/or failure to remit the Withholding Amount to the ATO; and

51.5.2 the Buyer charges the Property (for the benefit of the Seller) with the Buyer's obligations under this clause 51.5.

51.6 Where the Seller gives the Buyer a Variation Certificate prior to Completion, the Withholding Amount is the amount stated in the Variation Certificate.

51.7 Where Clearance Certificates for some but not all of the Sellers are provided to the Buyer prior to Completion, then the Withholding Amount is reduced by the same percentage as the percentage ownership of the Property of the Sellers that are subject to a Clearance Certificate.

51.8 Where a Clearance Certificate is provided by a Seller to the Buyer, the Seller warrants to the Buyer that that Seller is the entity referred to in the Clearance Certificate and is the relevant taxpayer for capital gains tax payable on the sale of the CGT Assets sold under this Contract.

## 52. Deposit by Instalments

52.1 The following clauses 52.2 to 52.8 inclusive only apply if the 'Deposit by Instalments' option on the Schedule is selected.

52.2 Clauses 2.1, 2.2, 2.3 and 2.4 are deleted.

52.3 The Buyer must pay the Deposit to the Stakeholder. The Seller agrees to accept the payment of the Deposit in two instalments as follows:

- 52.3.1 5% of the Price by cheque on the Date of this Contract (**First Instalment**); and
- 52.3.2 the balance of the Deposit (if it has not already been paid) by unendorsed bank cheque on the Date for Completion (**Second Instalment**);

and in every respect time is of the essence for payment of the First Instalment in this clause 52.3.1.

- 52.4 The Deposit becomes the Seller's property on Completion or on the earlier termination of this Contract by the Seller for the Buyer's default.
- 52.5 If the First Instalment of the Deposit is:
  - 52.5.1 not paid on time and in accordance with clause 52.3; or
  - 52.5.2 paid by cheque and the cheque is not honoured on first presentation,
 the Buyer is in default and the Seller may terminate this Contract immediately by written notice to the Buyer (without the notice otherwise necessary under clause 18) and clause 19 applies. If the Seller does not terminate this Contract in accordance with this clause 52.5, then this Contract remains on foot, subject to this clause 52.5, until either the Seller terminates the Contract pursuant to this clause 52.5, or waives the benefit of this clause 52.5 pursuant to clause 52.8.
- 52.6 If the Second Instalment of the Deposit is not paid on time in accordance with clause 52.3, then the Seller cannot immediately terminate the Contract for the Buyer's breach of an essential condition. The Seller must make timing of the payment of the Second Instalment an essential condition of the Contract by serving on the Buyer a Default Notice requiring the Buyer to pay the Second Instalment within 14\* days after service of the Default Notice (excluding the date of service).
- 52.7 For clarity, the Buyer must pay the full Price to the Seller, on or before Completion.
- 52.8 These clauses 52.2 to 52.8 inclusive are for the benefit of the Seller. The Seller may at any time before this Contract is terminated notify the Buyer in writing that the benefit of these clauses 52.2 to 52.8 inclusive is waived.

## 53. Residential Withholding Tax

**Warning:** The following clauses 53.1 to 53.9 are subject to the Withholding Law, and do not encompass all obligations under the Withholding Law.

- 53.1 In this clause 53 the following words have the following meanings:

**RW Amount** means the amount which the Buyer must pay under section 14-250 of the Withholding Law;

**RW Amount Information** means the completed RW Amount details referred to on page 3 of this Contract; and

**RW Percentage** means the percentage amount stated in section 14-250(6), (8) and (9) of the Withholding Law, as applicable to the supply of the Property from the Seller to the Buyer.

- 53.2 The Seller must provide the Buyer with the RW Amount Information no later than 7 days after the Date of this Contract.
- 53.3 If the 'Buyer required to make a withholding payment?' option on the Schedule is selected 'no' or if no selection is made, the Seller warrants to the Buyer that the Buyer is not required to make a payment under section 14-250 in relation to the supply of the Property from the Seller to the Buyer.
- 53.4 The following clauses 53.5 to 53.9 inclusive only apply if the 'Buyer required to make a withholding payment?' option on the Schedule is selected 'yes'.
- 53.5 Subject to any adjustments to the Price that may arise after the date that the RW Amount Information is provided in accordance with clause 53.2 and which affect the RW Amount, the Seller warrants to the Buyer on the date that the RW Amount Information is provided to the Buyer that the Seller has provided the Buyer with the information required under section 14 255 of the Withholding Law in relation to the supply of the Property from the Seller to the Buyer, and that this information is true and correct to the Seller's knowledge.
- 53.6 The Buyer must provide the Seller with a copy of the 'GST property settlement withholding notification online form' confirmation email (or emails, if applicable) issued to the Buyer by the ATO no later than:
  - 53.6.1 21 days after a written request from the Seller; or
  - 53.6.2 7 days prior to the Date for Completion, whichever is the earlier.
- 53.7 The Buyer must provide the Seller with evidence of submission by the Buyer to the ATO of the 'GST property settlement date confirmation online form', with such evidence to be provided prior to or on Completion.

\* Alter as necessary

- 53.8 The Seller irrevocably instructs the Buyer to draw as part of the Price, and the Buyer must draw and retain on Completion, an unendorsed bank cheque payable to the ATO for the RW Amount.
- 53.9 In relation to the unendorsed bank cheque required by clause 53.8, the Buyer must:
- 53.9.1 forward the unendorsed bank cheque to the ATO immediately after Completion; and
  - 53.9.2 provide the Seller with evidence of payment of the RW Amount to the ATO.

Unit 1 UP No. 15235  
Block 18 Section 10 Pearce

**CERTIFICATE UNDER SECTION 17 OF THE CIVIL LAW  
(SALE OF RESIDENTIAL PROPERTY) ACT 2003**

---

\_\_\_\_\_ of \_\_\_\_\_

certify as follows:

1. I am a lawyer as defined in the Legislation Act 2001.
2. I am giving this certificate in accordance with section 17 of the Civil Law (Sale of Residential Property) Act 2003 in respect of a contract for the sale of residential property known as 30A Hodgson Crescent, Pearce from Angus Karl Balmaks & Georgia Lauren Houston to \_\_\_\_\_  
so that there is no cooling off period in respect of the contract.
3. I do not act for the seller nor am I a member or employee of a firm of which the lawyer acting for the seller is a member or employee.
4. This certificate is given under Section 13 Civil Law (Sale of Residential Property) Act 2003.
5. I have explained to the buyer:
  - (a) the nature of this certificate;
  - (b) the effect of giving this certificate to the seller is that there is no cooling off period in respect of the contract .

Dated:

.....  
Signature

## **SPECIAL CONDITIONS**

### **1. AUCTION CONDITIONS**

If sold by auction, these are the standard conditions for the conduct of public auctions of residential property;

- (a) The auctioneer may make 1 bid for the Seller of the property at any time during the auction.
- (b) Each person bidding must be entered on the bidders record.
- (c) The auctioneer may refuse any bid.
- (d) The auctioneer may decide the amount by which the bidding is to be advanced.
- (e) The auctioneer may withdraw the property from sale at any time.
- (f) The auctioneer may refer a bid to the Seller at any time before the end of the auction.
- (g) If there is a dispute about a bid, the auctioneer may resubmit the property for sale at the last undisputed bid or start the bidding again.
- (h) If there is a dispute about a bid, the auctioneer is the sole arbiter and the auctioneer's decision is final.
- (i) The sale is subject to a reserve price unless the auctioneer announces otherwise.
- (j) The highest recorded bidder will be the Buyer, subject to any reserve price.
- (k) If a reserve price has been set for the property and the property is passed in below the reserve price, the Seller must first negotiate with the highest bidder for the purchase of the property.
- (l) The Buyer must sign the Contract and pay the deposit immediately after the fall of the hammer.

The Seller reserves the right to vary the terms and conditions of this Contract without notice at any time prior to the commencement of the auction.

### **2. AMENDMENTS**

#### **2.1 Amendments to the Standard Terms**

- (a) Clause 2.3 the word "cash" is deleted and replaced with "electronic funds transfer".
- (b) Clause 2.6 the words "or in cash (up to \$200)" are deleted.

### **3. ACKNOWLEDGEMENTS BY THE BUYER**

#### **3.1 Asbestos**

The Buyer warrants and acknowledges that they have made and relied on their own enquiries as to whether any form of asbestos is present at the property and the consequences of the presence of any asbestos at the property. The Buyer must not raise any objection, requisition, claim for compensation or damages, delay Completion or rescind or terminate this Contract in respect to the existence or discovery of asbestos at the property.

#### **3.2 Adjustments**

If Completion does not occur by the Date for Completion due solely to the delay or default of the Buyer, then the adjustments of all Land Charges, excluding Income, under Clause 8 are to be effected on the Date for Completion rather than the actual date Completion occurs.

### **3.3 Condition of the Property**

The Buyer acknowledges that they are purchasing the property:

- (a) In its present condition and state of repair including but not limited to all improvements, fixtures, fittings and inclusions.
- (b) Subject to all defects latent and patent in the property or the said improvements.
- (c) Subject to any infestations and dilapidation.
- (d) Subject to all existing water, sewerage, drainage and plumbing services and connections in respect to the property
- (e) Subject to any noncompliance that is disclosed herein, with the Local Government Act or any Ordinance under that Act in respect of any building on the land.

The Buyer agrees not to seek to terminate, rescind or make any objection, requisition or claim for compensation arising out of any of the matters covered by this Special Condition.

### **3.4 Directors Guarantee**

The Buyer acknowledges that a Directors Guarantee is required to be executed if the Buyer is a corporation. The Directors Guarantee is attached and marked as Annexure A to these Special Conditions.

## **4. INCAPACITY, DEATH OR INSOLVENCY**

### **4.1 Natural Person – No Fault**

If the Buyer or the Seller being a natural person (and, if comprising more than one person, any one or more of them) before Completion;

- (a) Dies; or
- (b) Is found by a court or tribunal to be incapable of administering his or her estate or affairs;

Then either party may rescind the Contract and the provisions of Clause 21 shall apply.

### **4.2 Buyer at Fault**

If the Buyer being:

- (a) A natural person (and, if comprising more than one person, any one or more of them) before Completion;
  - (i) Enters a scheme of arrangement; or
  - (ii) Makes an assignment for the benefit of creditors;

OR

- (b) An incorporated entity (and, if comprising more than one incorporated entity, any one or more of them) before Completion:
  - (i) Appoints or has appointed an administrator or receiver over the whole or any part of its assets or undertaking; or
  - (ii) Resolves to go into liquidation; or
  - (iii) Has a summons or application presented or an order made for its winding up; or
  - (iv) Enters into a deed of arrangement, assignment or composition for the benefit of creditors

Then this shall constitute a default by the Buyer and the Seller shall be entitled to terminate immediately and the provisions of Clause 19 shall apply.

## **5. EXECUTION**

### **5.1 Signature**

The parties' agree and consent to the exchange of Contract using:

- (a) Original wet signature; or
- (b) Copy of wet signature; or
- (c) Electronic signature; or
- (d) DocuSign (where no witness is required).

### **5.2 Binding Agreement**

The parties' warrant that signing the Contract as per this Special Condition is sufficient evidence of:

- (a) The parties' intention to enter into and be bound by the Contract;
- (b) The parties' consent to conducting the Contract electronically; and
- (c) The Contract itself being a document which is in writing and signed in a manner that results in a binding agreement.

### **5.3 No Objection**

The Buyer must not raise any objection, requisition, claim for compensation or damages, delay Completion or rescind or terminate this Contract in respect of any matter under this Special Condition.

## **6. DEPOSIT BOND OR BANK GUARANTEE**

The deposit set out on the front page of this Contract may be paid by Deposit Bond or Bank Guarantee in accordance with the following conditions.

- (a) In this Agreement, the word "Bond" means either:
  - (i) The Deposit Bond issued to the Seller at the request of the Buyer by an entity approved by the Seller (called "The Surety") and in a form acceptable to the Seller; or
  - (ii) A Bank Guarantee issued by a Bank approved by the Seller (called "The Surety") and in form acceptable to the Seller
- (b) Subject to paragraphs (c) and (d) below, the delivery of the Bond upon or before the making of this agreement to the Seller's Solicitors shall, to the extent of the amount guaranteed under the Bond, be deemed for the purposes of this agreement to be payment of the deposit in accordance with this agreement.
- (c) The Buyer shall pay the amount stipulated in the Bond to the Seller in cash or by unendorsed bank cheque on completion of this agreement or at such other time as may be provided for the deposit to be accounted to the Seller.
- (d) If the Seller serves on the Buyer a notice in writing claiming to forfeit the deposit then, to the extent that the amount has not already been paid by the Surety under the Bond, the Buyer shall forthwith pay the deposit (or so much thereof as has not been paid) to the person nominated in this agreement to hold the deposit.
- (e) The Seller acknowledges that payment by The Surety under the Bond shall, to the extent of the amount paid, be in satisfaction of the Buyer's obligations to pay the deposit under paragraph (d) above.

- (f) If the Bond provider is placed under external administration of any nature before the completion date, the Buyer must, within 24 hours, secure the Deposit payable under this Contract to the Seller by either:
  - (i) Providing a replacement Bond by another Bond provider reasonably acceptable to the Seller; or
  - (ii) Payment of the Deposit in accordance with Clause 2.1
- (g) This Special Condition is for the benefit of the Seller and the performance of the obligations by the Buyer are an essential condition of this Contract.

## **7. SPECIAL CONDITIONS**

### **7.1 Special Conditions Essential and Prevailing**

These Special Conditions are essential terms of the Contract and where an inconsistency exists between the Standard Terms of the Contract and these Special Conditions, these Special Conditions shall prevail.

**ANNEXURE A – DIRECTORS GUARANTEE**

I/We \_\_\_\_\_ (name of all Director/s)

of \_\_\_\_\_ (address/s)

agree as follows:

1. I/we am/are a Director/s of the Buyer.
2. In consideration of the Seller entering into this Contract at my/our request, I/we agree to guarantee to the Seller
  - (a) The performance and observance by the Buyer of all its obligation under the Contract, before, on and after Completion of this Contract; and
  - (b) The payment of all money payable to the Seller or to third parties under this Contract or otherwise.
3. This is a continuing guarantee and binds me/us notwithstanding:
  - (a) My/our subsequent death, bankruptcy, liquidation or the subsequent death, bankruptcy, liquidation or any one (1) or more of the Buyer or the Buyer’s Directors;
  - (b) Any indulgence, waiver or extension of time by the Seller to the Buyer to me/us or to the Buyer’s Directors; and
  - (c) Completion of this Contract.
4. In the event of any breach by the Buyer covered by this guarantee, including in the payment of any money payable to the Seller or to third parties under this Contract or otherwise, the Seller may proceed to recover the amount claimed as a debt or as damages from me/us without having instituted legal proceedings against the Buyer or any other of the Buyer’s Directors and without first exhausting the Seller’s remedies against the Buyer.
5. I/we agree to keep the Seller indemnified against any liability, loss, damage or claim due to the default of the Buyer which the Seller may incur in respect of this Contract.

**SIGNED, SEALED AND DELIVERED by the Buyer’s Director/s in the presence of**

\_\_\_\_\_  
Signature of Buyer’s Director

\_\_\_\_\_  
Signature of Witness

\_\_\_\_\_  
Name of Buyer’s Director

\_\_\_\_\_  
Name of Witness

\_\_\_\_\_  
Signature of Buyer’s Director

\_\_\_\_\_  
Signature of Witness

\_\_\_\_\_  
Name of Buyer’s Director

\_\_\_\_\_  
Name of Witness

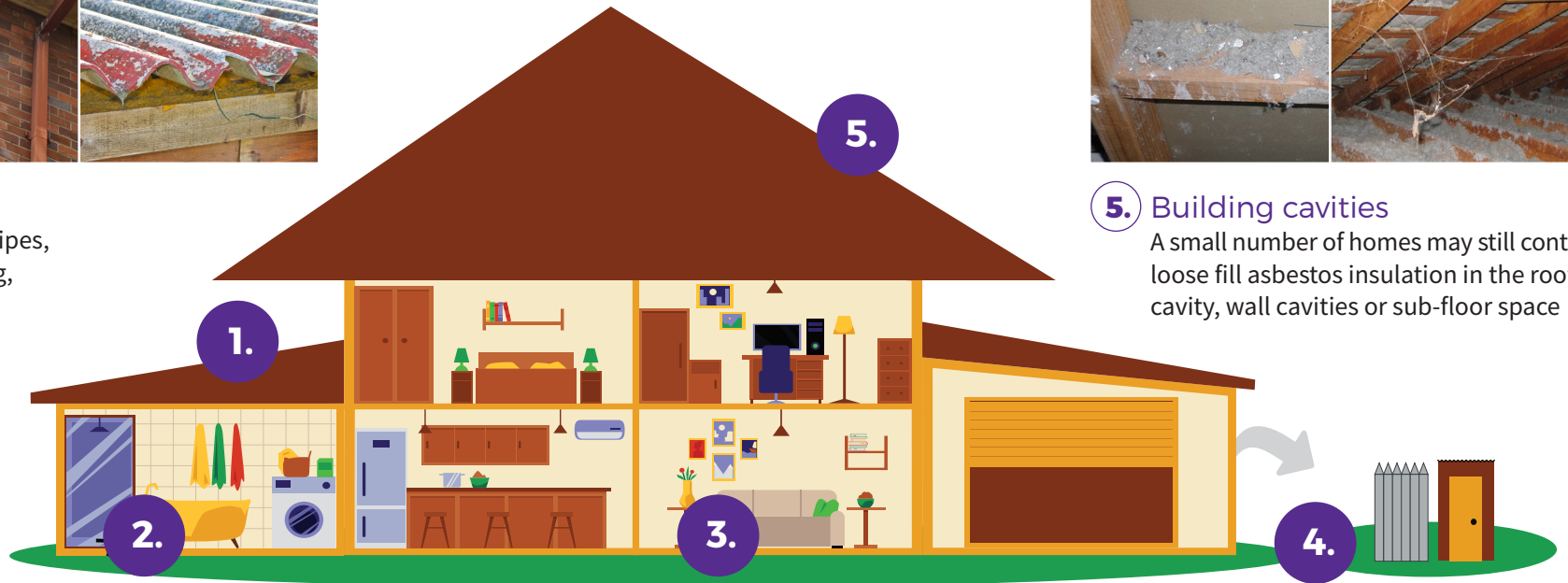


# If a home was built before 1990 it may contain dangerous asbestos material

Identify where asbestos materials might be. Five common places are:



- 1.** Exterior  
roof sheeting, gutters, downpipes,  
ridge capping, eaves, cladding,  
electrical switchboards



- 5.** Building cavities  
A small number of homes may still contain  
loose fill asbestos insulation in the roof  
cavity, wall cavities or sub-floor space



- 2.** Wet areas - bathroom, laundry and kitchen  
wall and ceiling panels, vinyl floor tiles, backing for wall tiles  
and splashbacks, hot water pipe insulation



- 3.** Internal areas  
wall and ceiling panels, carpet underlay,  
textured paints, insulation in domestic  
heaters



- 4.** Backyard  
fences, sheds, garages, carports, dog kennels, buried or  
dumped waste, letterboxes, swimming pools

# If a home was built before 1990 it may contain dangerous asbestos material

## Assess the risk

A licensed asbestos assessor can help identify asbestos in your home and its condition.

### Asbestos materials become dangerous when:



Broken or in poor  
condition



Damaged  
accidentally



Disturbed during  
renovation or repairs



Loose fill asbestos  
insulation



## Manage asbestos safely

- Monitor the condition of asbestos in your home
- Inform tradespeople of locations of asbestos in your home
- Avoid disturbing or damaging asbestos if working on your home
- Engage a licensed asbestos removalist to remove asbestos

If you suspect your home contains loose fill asbestos insulation, contact Access Canberra

For more information, visit [www.worksafe.act.gov.au](http://www.worksafe.act.gov.au) or call Access Canberra contact centre – 13 22 81

If you need interpreting help, telephone the Translating and Interpreting Service on 131 450

**AUSTRALIAN CAPITAL TERRITORY  
TITLE SEARCH**

**LAND**

Pearce Section 10 Block 18 on Deposited Plan 1690 with 2 units on Unit Plan 15235

Unit 1 (Class B) entitlement 50 of 100, 0 subsidiaries

Lease commenced on 17/11/2021, terminating on 25/02/2117

**Proprietor**

ANGUS KARL BALMAKS

1/30 HODGSON STREET, PEARCE ACT 2607

GEORGIA LAUREN HOUSTON

1/30 HODGSON CRESCENT, PEARCE ACT 2607

as Joint Tenants

**REGISTERED ENCUMBRANCES AND INTERESTS**

Original title is **Volume N/A Folio N/A**

**Restrictions**

Purpose Clause: Refer Units Plan

**Easements**

Subject To Easement In Units Plan Current

Registered Date	Dealing Number	Description
28/01/2022	3132635	Mortgage to Commonwealth Bank of Australia (ACN: 123 123 124)

***End of interests***

**ADMINISTRATIVE INTERESTS**

Administrative interests information is **not** guaranteed by the Registrar-General, and the Registrar-General nor an authorised entity incurs liability for any omission, misstatement or inaccuracy in the information.

**Territory Planning Authority** - For further information concerning the following administrative interests, please refer to decided development application information available at <https://www.planning.act.gov.au/> or on the DA Finder App, available for download on iOS and Android mobile devices. Alternatively, please contact Access Canberra Land, Planning and Building Services at ACEPDcustomerservices@act.gov.au or 6207 1923. The Territory Planning Authority's administrative interest information has been provided to the Registrar-General since 1 February 2010.

Reference Number	Type	Lodgement Date	Assessment Track	Status	Status Date
201834201	Development Application	06/08/2018	MERIT TRACK - MAJOR NOTIFICATION	APPROVAL CONDITIONAL	11/01/2019



<b>Product</b>	Title Details
<b>Date/Time</b>	10/03/2026 03:39PM
<b>Customer Reference</b>	
<b>Order ID</b>	20260310001503
<b>Cost</b>	\$35.00

---

**Description**

PROPOSAL FOR DUAL OCCUPANCY ¿ Construction of 2 new double storey dwellings, attached garages, landscaping and associated works.

---

**AUSTRALIAN CAPITAL TERRITORY**  
**TITLE SEARCH**

**LAND**

Pearce Section 10 Block 18 on Deposited Plan 1690 with 2 units on Unit Plan 15235

Lease commenced on 17/11/2021, terminating on 25/02/2117

**COMMON PROPERTY**

**Proprietor**

The Owners - Units Plan No 15,235

Dream Traders Pty Ltd, Hodgson Crescent Pearce ACT 2607

**REGISTERED ENCUMBRANCES AND INTERESTS**

Original title is **Volume N/A Folio N/A**

**Restrictions**

Purpose Clause: Refer Units Plan

***End of interests***

**ADMINISTRATIVE INTERESTS**

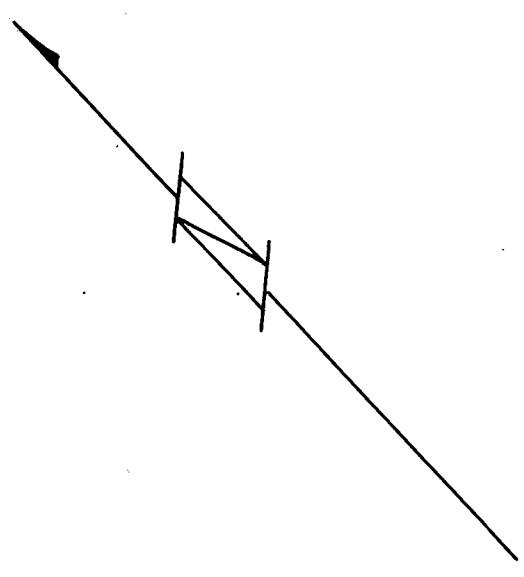
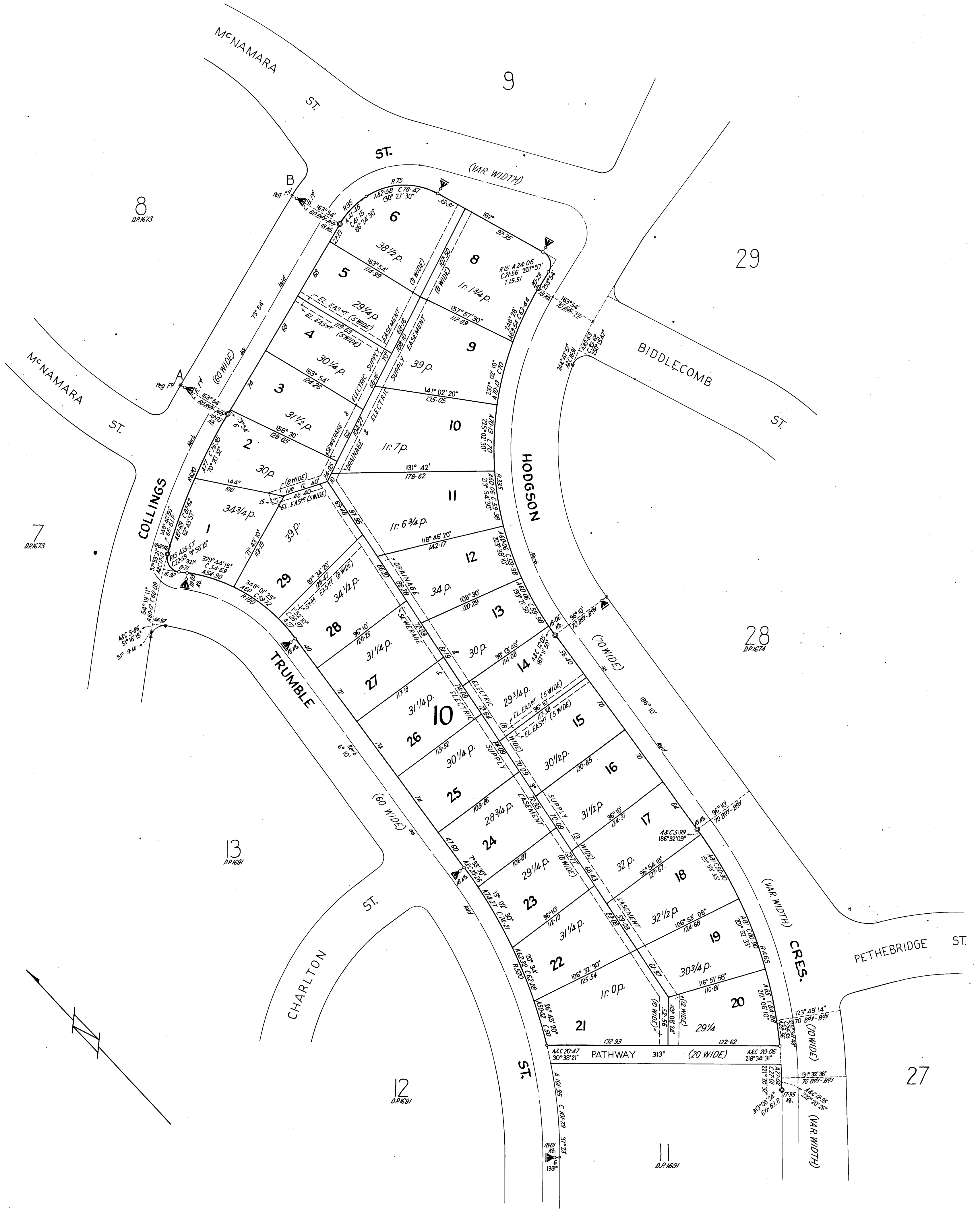
Administrative interests information is **not** guaranteed by the Registrar-General, and the Registrar-General nor an authorised entity incurs liability for any omission, misstatement or inaccuracy in the information.

**Territory Planning Authority** - For further information concerning the following administrative interests, please refer to decided development application information available at <https://www.planning.act.gov.au/> or on the DA Finder App, available for download on iOS and Android mobile devices. Alternatively, please contact Access Canberra Land, Planning and Building Services at ACEPDcustomerservices@act.gov.au or 6207 1923. The Territory Planning Authority's administrative interest information has been provided to the Registrar-General since 1 February 2010.

Reference Number	Type	Lodgement Date	Assessment Track	Status	Status Date
201834201	Development Application	06/08/2018	MERIT TRACK - MAJOR NOTIFICATION	APPROVAL CONDITIONAL	11/01/2019

**Description**

PROPOSAL FOR DUAL OCCUPANCY ; Construction of 2 new double storey dwellings, attached garages, landscaping and associated works.



Azimuth: A-B (Strom)

**REFERENCE & PERMANENT MARKS**  
 ● Denotes G.I.P. in road 6 radially from T.P.  
 ▲ " C.B. " " 6 " " T.P.  
 (Except as otherwise shown)

I, MICHAEL ALFRED WELLS, of Canberra, a surveyor specially licensed by the Commonwealth under the provisions of the Real Property Ordinance 1925-1961 do hereby solemnly and sincerely declare (a) that all boundaries and measurements shown on this plan are correct, (b) that all survey marks found and relevant physical objects on or adjacent to the boundaries are correctly represented, (c) that all physical objects indicated exist in the positions shown, (d) that the whole of the material facts in relation to the land are correctly represented, (e) that the survey has been made (1) by me, (2) under my supervision and completed on the \_\_\_\_\_ 11th day of April 1966 \_\_\_\_\_ and the reference marks have been placed as shown hereon.

And I make this solemn declaration in virtue of the Statutory Declarations Act 1959 conscientiously believing the statements contained therein to be true in every particular.

*Michael Wells*  
 Licensed Surveyor.

Declared at Canberra the  
 14 day of JULY 1966  
 before me  
*Ad Smith*  
 Commissioner for Declarations under  
 the Statutory Declarations Act 1959.

I certify that this plan is the plan prepared in accordance with sub-section \_\_\_\_\_ of section 6 of the Districts Ordinance 1966.

*W. H. Boyle*  
 Commonwealth Surveyor-General.

**PLAN OF**  
**BLOCKS 1-6, 8-29**  
**SECTION 10**

**DIVISION: PEARCE**  
**DISTRICT: CANBERRA CITY**  
**AUSTRALIAN CAPITAL TERRITORY.**

Scale: 60 feet to an inch.

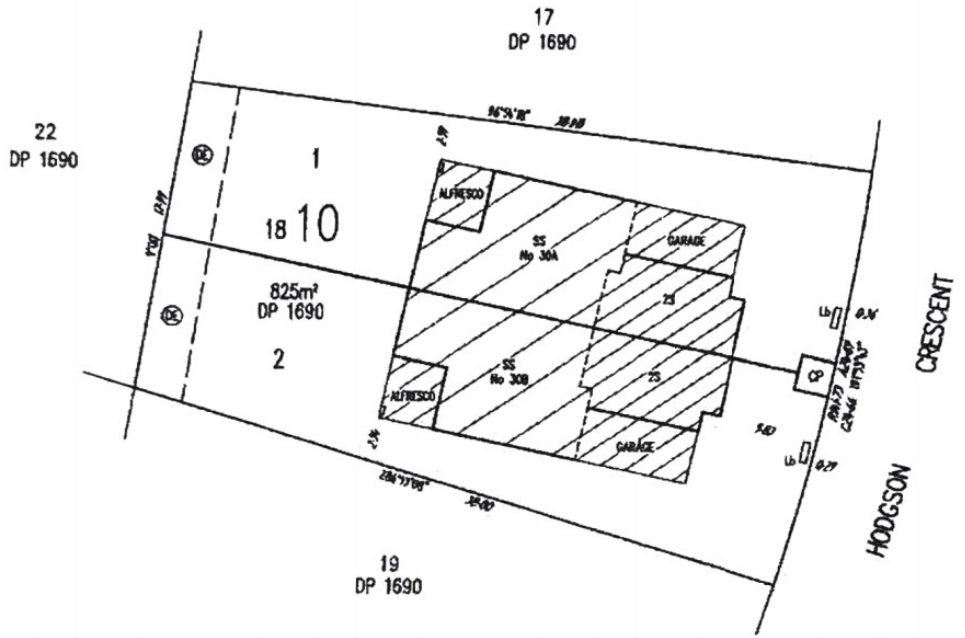
Field Books: K 3386

Deposited in the office of the Registrar of Titles at Canberra in the Australian Capital Territory the *fifteenth* day of *September* 1966 at *31* minutes past *nine* o'clock in the *fore* noon.

Approved  
*[Signature]*  
 Registrar of Titles.

**DEPOSITED PLAN.**  
**1690**

LAND TITLES
ACCESS CANBERRA
Chief Minister, Treasury and Economic Development Directorate
Sheet No. 1 of 13
SITE PLAN
LAND DETAILS
Block 18
Section 10
Division PEARCE
Deposited Plan Number DP 1890
Volume/Folio 2334:25
Class of Units (A or B) B
AMIT ARORA DIRECTOR
SANJIV KUMAR PATILAK
ATUL PRAKASH MANGANI DIRECTOR
DREAMTRADERS GROUP PTY LTD ACN 621 389 535

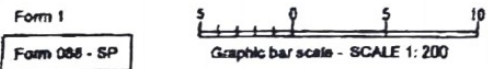


Lyn Tankey  
21 September 2021

Approved under the 2017 774.64 ACT 2017, as the use is in plan for the purposes of the above described parcel, of land.

David Pryce  
Registrar-General  
17/11/2021

UNITS PLAN No. 15235



Form 1  
Form 065 - SP

Note and Subordinate are subject to the provisions of Section 24 of the 2017 774.64 ACT 2017, where applicable.

**SURVEYING DECLARATION**  
I, **ROBERT RICHARDS** of **H & M SURVEYS**, 1/66 GARDNER STREET, MITCHELL ACT 2911  
A surveyor registered under the Surveyors Act 2007, hereby certify that:  
1. The survey represented by the diagrams on forms 1 and 2 of this plan are accurate and were completed on (insert date) 1 JUNE 2021  
2. The survey is in accordance with the following Acts:  
• 2017 774.64 ACT 2017,  
• Land Titles (Plan Laying) Act 1978,  
• Land Titles Act 1979 and,  
• any other regulations made under those Acts and in accordance with the Surveyors Practice Directions

*Robert Richards*  
Signature of Registered Surveyor  
1 JUNE 2021  
Date

ORDER OUT EITHER OF THESE 3 OR 2(a) 2(b), WHICHEVER DOES NOT APPLY - 2(a) & (b) CAN NOT APPLY IF AN ENCROACHMENT OCCURS UNDER A ROAD OR PUBLIC PLACE UNLESS THE ENCROACHMENT IS AN ATTACHMENT AS ORDERED BY THE SURVEY ACT 2007.  
1. Each building (including anything attached to it) or building in the course of erection on the parcel is wholly within the parcel.  
OR  
2. The diagrams clearly delineate boundaries, nature and extent of any encroachment by a building (including anything attached to it), beyond the boundaries of the parcel and:  
(a) The diagrams clearly delineate the existence, nature and extent of any encroachment and, if so granted and registered upon registration of this proposed plan, pertaining to the parcel.

30A & 30B HOOGSON CRESCENT, PEARCE, ACT 2907  
Address for Service of Notices

DREAM TRADERS GROUP P/L  
Name of Manager / Owners Corporation

XUP 22302



FLOOR PLAN

Block  
18

Section  
10

Division  
PEARCE

FLOOR NUMBER  
GROUND

AMIT ARORA  
DIRECTOR

SANJIV KUMAR  
PATHAK  
DIRECTOR

ATUL KUMAR  
MANNAN  
DIRECTOR

DREAMTRADERS  
GROUP PTY LTD  
ACN 621 389 535  
Signature of Lessee

Lyn Tankey  
Lyn Tankey

Delegation of the  
ACT Planning and Land Authority

APPROVED UNDER THE UNIT TITLES ACT 2001  
AS THE UNIT'S PLAN FOR THE SUBDIVISION  
OF THE ABOVE DEFINED PARCEL OF LAND

UNITS PLAN No.

15235

LEGEND

- SS DENOTES SINGLE STOREY BRICK RESIDENCE
- ZS DENOTES TWO STOREY BRICK & CLADDED RESIDENCE
- C DENOTES UNIT BOUNDARY IS CENTRELINE OF 0.36 THICK WALL
- CP DENOTES COMMON PROPERTY
- Lb DENOTES BRICK LETTERBOX
- (⊗) DENOTES DRAINAGE & ELECTRIC SUPPLY EASEMENT 2.44 WIDE

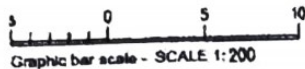
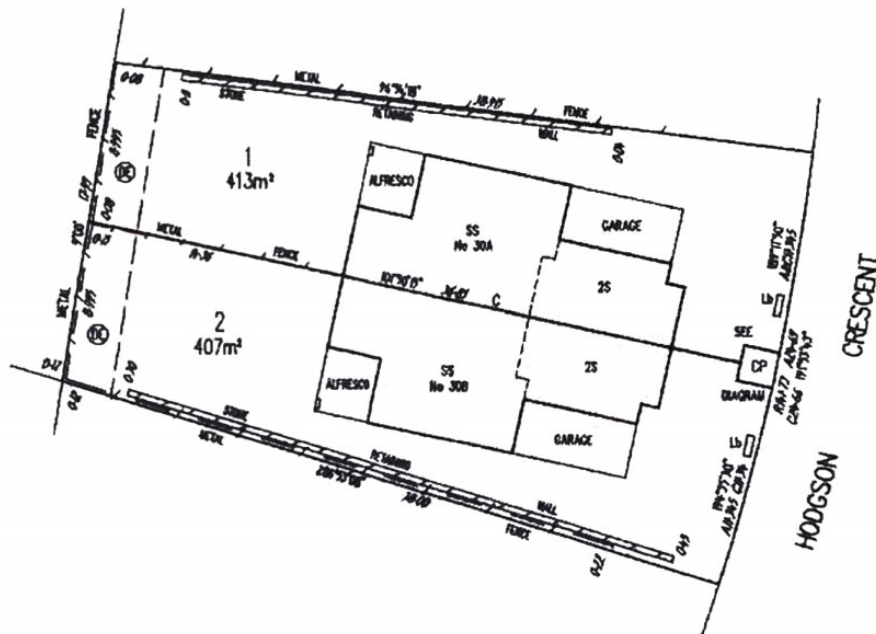
NOTES

UNITS AND SUBSIDIARIES ARE SUBJECT TO THE PROVISIONS OF SECTION 34 OF THE UNIT TITLES ACT 2001, WHERE APPLICABLE.

UNIT BOUNDARIES & AREAS HAVE BEEN DETERMINED WITH REFERENCE TO THE CENTRELINE OF THE COMMON WALL & THE PARCEL BOUNDARIES, UNLESS NOTED OTHERWISE.

AREAS ARE FOR THE PURPOSES OF UNITS PLAN ONLY, AND MUST NOT BE USED FOR ANY OTHER PURPOSE.

UNIT IDENTIFIER			
UNIT No	SHEET No	FLOOR	ADDRESS
1	1,3	GROUND	30A HODGSON CRESCENT
2	1,3	GROUND	30B HODGSON CRESCENT



# FORM 4


Land Titles (Unit Titles) Act 1970

UNITS PLAN NO: **15235**

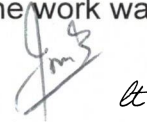
Block 18 Section 10 Division of PEARCE

**SCHEDULE OF PROVISIONS COVENANTS AND CONDITIONS SUBJECT TO WHICH  
LEASES OF UNITS ARE HELD**

1. The term of the lease of each of the units expires on the twenty fifth day of February Two thousand one hundred and seventeen.
2. The rent reserved by and payable under the lease of each of the units is five cents per annum if and when demanded.
3. That:
  - (a) the Authority, on behalf of the Commonwealth, grants over that part of the parcel of land identified as a services easement on the Deposited Plan an easement ("Easement") in favour of the relevant provider (referred to as the "service provider");
  - (b) the service provider may:
    - (i) provide, maintain and replace services supplied by that service provider through the parcel of land within the site of the Easement; and
    - (ii) do anything reasonably necessary for that purpose, including without limitation:
      - (A) entering or passing through the parcel of land;
      - (B) taking anything on to the parcel of land; and
      - (C) carrying out work, including without limitation, constructing, placing, repairing or maintaining pipes, poles, wires, cables, conduits, structures and equipment;
  - (c) in exercising the powers in Clause 3(b), the service provider must take all reasonable steps to:
    - (i) ensure that the work carried out on the parcel of land causes as little disruption, inconvenience and damage as is practicable; and
    - (ii) ensure that the parcel of land is restored as soon as practicable to a condition that is similar to its condition before the work was carried out;

  
ATUL PRASHANT LAL MARIANI





lt

- (d) Clause 3(c)(ii), does not require the service provider to restore:
  - (i) the parcel of land to a condition that would result in:
    - (A) an interference with:
      - (1) any service on or through the parcel of land; or
      - (2) access to any service on or through the parcel of land; or
    - (B) a contravention of a law of the Territory; or
  - (ii) any building or structure placed or constructed on any part of the parcel of land comprising the Easement;
- (e) the Lessee must not place or construct, nor permit to be placed or constructed, a building or structure or any part of a building or structure on any part of the parcel of land comprising the Easement UNLESS written advice from the service provider is obtained;
- (f) for the purposes of the Easement, "services", includes, without limitation, the supply of water, gas, electricity and discharge or drainage of water, stormwater and sewerage; and
- (g) nothing in this clause diminishes or affects any rights or powers of a service provider conferred under any statute, regulation or law.

4. Each Lessee of each of the Units Nos. 1 and 2 inclusive covenants with the Planning and Land Authority ("the Authority") on behalf of the Commonwealth of Australia ("the Commonwealth") in respect of each Lessee's relevant unit as follows:

- (a) to pay to the Authority at Canberra the rent hereinbefore reserved and any other moneys payable under the lease within one month of the date of any demand made by the Authority relating thereto and served on the Lessee;
- (b) to use the unit as a single dwelling only;
- (c) not to make any structural alterations to the unit without the previous approval in writing of the Authority, except where exempt by law;
- (d) at all times during the term of the lease to maintain repair and keep in repair to the satisfaction of the Authority the unit excluding any defined parts under the provisions of the Unit Titles Act 2001;
- (e) if and whenever the Lessee fails to maintain repair or keep in repair the unit the Authority may by notice in writing to the Lessee specifying the wants of repairs require the Lessee to effect repairs in accordance with the said notice or if the Authority is of the opinion that a building part of a building or other improvement is beyond reasonable repair the Authority may require the

X 

ARMU IRASHULAL MADANI





et

Lessee to remove a building or part of a building or other improvement and if after the expiration of one month from the date of receipt of the said notice or such longer time as the Authority may in writing allow the Lessee has not effected the said repairs or removed the said building part of the building or other improvement any person or persons duly authorised by the Authority with such equipment as is necessary may enter the unit and effect the said repairs or demolish and remove the building part of the building or other improvement and all expenses incurred by the Authority in effecting such repairs or demolition and removal shall be paid by the Lessee to the Authority on demand and from the date of such demand until paid shall for all purposes of this lease be a debt due and payable to the Authority by the Lessee;

- (f) to permit any person or persons authorised by the Authority to enter the unit at all reasonable times and in any reasonable manner and inspect the unit;
- (g) to pay to the Authority or any statutory authority the proportion that is equal to the proportion the unit entitlement bears to the aggregate unit entitlement of all the units of any amounts payable by the Owners Corporation to the Authority or a statutory authority (but which has not been paid by the Owners Corporation within the required time under the provisions of any law of the Territory applicable to the unit or common property) and without limiting the generality thereof under the provisions of the Planning and Development Act 2007 and the Unit Titles Act 2001;
- (h) that the Lessee shall not, without the previous consent in writing of the Territory, remove any tree:
  - (i) that has been identified in a development approval for retention during the period allowed for construction of the building; or
  - (ii) to which the Tree Protection Act 2005, applies;
- (i) all minerals on or in the unit and the right to the use, flow and control of ground water under the surface of the unit are reserved to the Territory.

5. It is mutually covenanted and agreed by the Commonwealth and each of the Lessees of all the units as follows:

- (a) that if:
  - (i) the said unit is at any time not used for a period of one year for the purpose for which this lease is granted; or
  - (ii) the Lessee shall commit or suffer a breach of any other covenant contained or implied in this lease



Atm Rashtul Manavi




et

the Authority on behalf of the Commonwealth may terminate this lease but without prejudice to any claim which the Authority or the Commonwealth may have against the Lessee in respect of any breach of the covenants on the part of the Lessee to be observed or performed;

- (b) that acceptance of rent or other moneys by the Authority during or after any period referred to in Clauses 5(a)(i) or (ii) of this lease shall not prevent or impede the exercise by the Authority of the powers conferred upon it by the said Clauses;
- (c) that any extension of the term of all the leases shall be in accordance with the provisions of the Planning and Development Act 2007;
- (d) any notice requirement demand consent or other communication to be given to or served upon the Lessee under this lease shall be deemed to have been duly given or served if signed by or on behalf of the Authority and delivered to or sent in a prepaid letter addressed to the Lessee at the unit or at its registered office or at the usual or last-known address of the Lessee or affixed in a conspicuous position on the unit;
- (e) any and every right power or remedy conferred on the Commonwealth or Territory in this lease, by law or implied by law may be exercised on behalf of the Commonwealth or the Territory as the case may be by:
  - (i) the Authority;
  - (ii) an authority or person for the time being authorised by the Authority or by law to exercise those powers or functions of the Commonwealth or Territory; or
  - (iii) an authority or person to whom the Authority has delegated all its powers or functions under the Planning and Development Act 2007.

6. In this schedule unless the contrary intention appears:

- (a) "Authority" means the Planning and Land Authority established by section 10 of the Planning and Development Act 2007;
- (b) "building" means any building or structure constructed or partially constructed or to be constructed, as the context permits or requires, on or under the parcel of land;
- (c) "class" for a building or structure, means the class of building or structure under the building code as defined in the Building Act 2004;
- (d) "dual occupancy housing" means the use of the parcel of land that was originally used or leased for the purposes of single dwelling housing for two dwellings;


  
Anu PRASHUL MARVANI







- (e) "dwelling":
- (i) means a class 1 building, or a self-contained part of a class 2 building, that:
    - (A) includes the following that are accessible from within the building, or the self-contained part of the building:
      - (1) not more than 2 kitchens;
      - (2) at least 1 bath or shower;
      - (3) at least 1 toilet pan; and
    - (B) does not have access from another building that is either a class 1 building or the self-contained part of a class 2 building; and
  - (ii) includes any ancillary parts of the building and any class 10a buildings associated with the building;
- (f) "Lessee" shall:
- (i) where the Lessee consists of one person be deemed to include the Lessee and the executors administrators and assigns of the Lessee;
  - (ii) where the Lessee consists of two or more persons be deemed to include in the case of a tenancy in common the said persons and each of them and their and each of their executors administrators and assigns and in the case of a joint tenancy be deemed to include the said persons and each of them and their and each of their assigns and the executors administrators and assigns of the survivor of them; and
  - (iii) where the Lessee is a corporation be deemed to include such corporation and its successors and assigns;
- (g) "multi-unit housing" means the use of the parcel of land for more than one dwelling and includes but is not limited to dual occupancy housing;
- (h) "premises" means the parcel of land and any building or other improvements on the parcel of land;
- (i) "single dwelling housing" means the use of the parcel of land for residential purposes for a single dwelling only;
- (j) "Territory" means:
- (i) when used in a geographical sense the Australian Capital Territory; and
  - (ii) when used in any other sense the body politic established by Section 7 of the Australian Capital Territory (Self-Government) Act 1988 (C'th);

  
ARUN PRASHANT MAHANI





et

- (k) "unit" means the parcel of land and the building and other improvements constructed or to be constructed on a part of the relevant parcel of land shown on the Units Plan as a unit;
- (l) words in the singular include the plural and vice versa;
- (m) words importing one gender include the other genders;
- (n) a reference in this lease to any statute or statutory provision shall include a reference to any statute or statutory provision that amends, extends, consolidates or replaces the statute or statutory provision and to any other regulation, instrument or other subordinate legislation made under the statute.


DATED the Twenty first day of September 2021.

*Lyn Tankey*


Lyn Tankey

a delegate of the Planning and Land Authority in exercising its functions

LESSEE: **DREAM TRADERS GROUP PTY LIMITED ACN 621 389 535**

  
ATUL PRASHURAM  
MAMANI

  
Sanjay Kumar Patil

  
Amit Arora

# FORM 5

Land Titles (Unit Titles) Act 1970

UNITS PLAN NO: **15235**

Block 18 Section 10 Division of PEARCE

**SCHEDULE OF PROVISIONS COVENANTS AND CONDITIONS SUBJECT TO WHICH  
THE LEASE OF THE COMMON PROPERTY IS HELD**

1. The term of the lease expires on the twenty fifth day of February Two thousand one hundred and seventeen.
2. The rent reserved by and payable under the lease is five cents per annum if and when demanded.
3. The Owners – Units Plan No. **15235** (“the Owners Corporation”) covenants with the Planning and Land Authority (“the Authority”) on behalf of the Commonwealth of Australia (“the Commonwealth”) as follows:
  - (a) to pay to the Authority at Canberra the rent hereinbefore reserved and any other moneys payable under the lease within one month of the date of any demand made by the Authority relating thereto and served on the Owners Corporation;
  - (b) to use the common property for some or all of the following uses; carparking, landscaping, paving, lighting, storage areas, service areas, vehicular and pedestrian access and for any other use approved by the Owners Corporation **PROVIDED THAT** these uses are consistent with the permitted purposes of the units;
  - (c) not to erect any building or make any structural alterations in any building or part of a building or other improvements on the common property without the previous approval in writing of the Authority, except where exempt by law;
  - (d) at all times during the term of the lease to maintain repair and keep in repair to the satisfaction of the Authority all buildings parts of buildings and all other improvements on the common property and without limiting the generality thereof to maintain repair and keep in good working order the services situated in or on the parcel of land forming the common property;
  - (e) except where necessary for compliance with Clause 3(d) of this clause not to install any services or make any alterations in any of the services or any part of the services situated in or on the parcel of land forming the common property without the previous approval in writing of the Authority;

  
ATUL PRABHAKAR MANANI








- (f) if and whenever the Owners Corporation fails to maintain repair or keep in repair any building part of a building or other improvements on the common property or to repair or keep in good working order the services or any parts thereof situated in or on the parcel of land forming the common property the Authority may by notice in writing to the Owners Corporation specifying the wants of repairs require the Owners Corporation to effect repairs in accordance with the said notice or if the Authority is of the opinion that a building part of a building or other improvement or any part or parts of the services are beyond reasonable repair the Authority may require the Owners Corporation to remove a building part of a building or improvement or to replace the part or parts of the services and if after the expiration of one month from the date of receipt of the said notice or such longer time as the Authority may in writing allow the Owners Corporation has not effected the said repairs or removed the said building part of the building or the improvement or replaced the part or parts of the services any person or persons duly authorised by the Authority with such equipment as is necessary may enter the common property and effect the said repairs or demolish and remove the building part of the building or the improvement or replace the part or parts of the service and all expenses incurred by the Authority in effecting such repairs or demolition or removal or replacement shall be paid by the Owners Corporation to the Authority on demand and from the date of such demand until paid shall for all purposes of this lease be a debt due and payable to the Authority by the Owners Corporation;
- (g) to permit any person or persons authorised by the Authority to enter upon the common property at all reasonable times and in any reasonable manner and inspect the common property and buildings parts of buildings services parts of services and improvements situated in or on the parcel of land forming the common property;
- (h) That the Owners Corporation shall not, without the previous consent in writing of the Territory, remove any tree:
- (i) that has been identified in a development approval for retention during the period allowed for construction of the building; or
- (ii) to which the Tree Protection Act 2005, applies;
- (i) all minerals on or in the common property and the right to the use, flow and control of ground water under the surface of the Common Property are reserved to the Territory.

4. It is mutually covenanted and agreed by the Commonwealth and the Owners Corporation as follows:

- (a) that if the common property is at any time not used for a period of one year for the purpose for which this lease is granted the Authority on behalf of the Commonwealth may terminate this lease but without prejudice to any claim which the Authority or the Commonwealth may have against the Owners Corporation in respect of any breach of the covenants on the part of the Owners Corporation to be observed or performed;

  
 ATUL PRABHULAL MANAN





lt

- (b) that any extension of the term of all the leases shall be in accordance with the provisions of the Planning and Development Act 2007;
- (c) any and every right power or remedy conferred on the Commonwealth or Territory in this lease, by law or implied by law may be exercised on behalf of the Commonwealth or the Territory as the case may be by:
  - (i) the Authority;
  - (ii) an authority or person for the time being authorised by the Authority or by law to exercise those powers or functions of the Commonwealth or Territory; or
  - (iii) an authority or person to whom the Authority has delegated all its powers or functions under the Planning and Development Act 2007.

5. In this schedule unless the contrary intention appears:

- (a) "Authority" means the Planning and Land Authority established by section 10 of the Planning and Development Act 2007;
- (b) "building" means any building or structure constructed or partially constructed or to be constructed, as the context permits or requires, on or under the parcel of land;
- (c) "owners corporation" means the body corporate under the name of 'The Owners – Units Plan No. **15235**';
- (d) "premises" means the parcel of land and any building or other improvements on the parcel of land;
- (e) "services" means hydraulic mains stormwater drains sewer lines hydraulic fire mains and hydrants together with all necessary appurtenances;
- (f) "Territory" means:
  - (i) when used in a geographical sense the Australian Capital Territory; and
  - (ii) when used in any other sense the body politic established by Section 7 of the Australian Capital Territory (Self-Government) Act 1988 (C'th);
- (g) "unit" means the parcel of land and the building and other improvements constructed or to be constructed on a part of the relevant parcel of land shown on the Units Plan as a unit;
- (h) words in the singular include the plural and vice versa;
- (i) words importing one gender include the other genders;






at

- (j) a reference in this lease to any statute or statutory provision shall include a reference to any statute or statutory provision that amends, extends, consolidates or replaces the statute or statutory provision and to any other regulation, instrument or other subordinate legislation made under the statute.

DATED the Twenty first ..... day of ..... September ..... 2021.

*Lyn Tankey*  
Lyn Tankey  
a delegate of the Planning and Land  
Authority in exercising its functions

LESSEE: **DREAM TRADERS GROUP PTY LIMITED ACN 621 389 535**

  
  
  
Sanjay Kumar Pathak



## LEASE CONVEYANCING ENQUIRY

Your response is sought to the following questions in relation to:

**LAND:** Please provide details of the land you are enquiring about.

<b>Unit</b>	<b>1</b>	<b>Block</b>	<b>18</b>	<b>Section</b>	<b>10</b>	<b>Suburb</b>	<b>PEARCE</b>
-------------	----------	--------------	-----------	----------------	-----------	---------------	---------------

Leased by the Australian Capital Territory on behalf of the Commonwealth under the Land (Planning and Environment) Act 1991, Planning & Development Act 2007 and Planning Act 2023.

- |  | No    | Yes              |
|--|-------|------------------|
| 1. Have any notices been issued relating to the Crown Lease?   | ( X ) | ( )              |
| 2. Is the Lessor aware of any notice of a breach of the Crown Lease?   | ( X ) | ( )              |
| 3. Has a Certificate of Compliance been issued? (N/A ex-Government House) <input type="checkbox"/>   | ( )   | ( X )            |
| Certificate Number: 83177  |       | Dated: 06-AUG-21 |
| 4. Has an application for Subdivision been received under the Unit Titles Act?   |       | (see report)     |
| 5. Has the Property been nominated for provisional registration, provisionally registered or registered in accordance with provisions of the Heritage Act 2004?                                  |       | (see report)     |
| 6. If an application has been determined, is the land subject to an Environmental Impact Statement under Chapter 8 of the Planning & Development Act 2007, or part 6.3 of the Planning Act 2023? |       | (see report)     |
| 7. Has a development application been received, or approval (applications lodged prior to 2 April 1992 will not be included)?  |       | (see report)     |
| 8. Has an application been received or approved for Dual Occupancy? (applications lodged prior to 2 April 1992 will not be included)   |       | (see report)     |
| 9. Has an Order been made in respect of the Land pursuant to Part 11.3 of the Planning & Development Act 2007 or Part 12.3 of the Planning Act 2023?   |       | (see report)     |
| 10 Contaminated Land Search - Is there information recorded by Environment ACT regarding the contamination status of the land?   |       | (see report)     |

Applicant's Name : InfoTrack, InfoTrack  
 E-mail Address : actenquiries@infotrack.com.au  
 Client Reference : AJ:2026/000631 - 188431465

Date: 10-MAR-26 15:52:19



ACCESS CANBERRA  
 LAND, PLANNING & BUILDING SERVICES  
 8 Darling Street  
 MITCHELL ACT 2911

10-MAR-2026 15:52

**PLANNING AND LEASE MANAGER (PaLM)**  
**LEASE CONVEYANCING ENQUIRY REPORT**

Page 1 of 2

**INFORMATION ABOUT THE PROPERTY**

**PEARCE Section 10/Block 18/Unit 1**

**Building Class: B**

**Area(m2):** 825.3  
**Unimproved Value:** \$893,000      **Year:** 2025  
**Subdivision Status:** Application received under the Unit Titles Act.  
**Heritage Status:** Nil.

**Environment Assessment:** The Land is not subject to an Environmental Impact Statement under Chapter 8 of the Planning & Development ACT 2007, or part 6.3a of the Planning Act 2023.

**DEVELOPMENT APPLICATIONS ON THE PROPERTY (SINCE APRIL 1992)**

**Application**    DA201834201      **Lodged**    06-AUG-18      **Type**    See Subclass

**-- Application Details -----**

**Description**

PROPOSAL FOR DUAL OCCUPANCY ; Construction of 2 new double storey dwellings, attached garages, landscaping and associated works.

**-- Site Details -----**

District	Division	Section	Block(s)	Unit
Woden Valley	Pearce	10	18-18	

**-- Involved Parties -----**

Role	Name
Lessee	Dream Traders Group Pty Ltd
Applicant	Absolute Town Planning

**-- Activities -----**

Activity Name	Status
Merit Track	Approval Conditional

**DEVELOPMENT APPLICATIONS ON THE ADJACENT PROPERTIES (LAST 2 YEARS ONLY)**

The information on development applications on adjacent blocks is to assist purchasers to be aware of possible nearby development activity. Please note however, it doesn't cover all development activity. Exempt activities can include but are not limited to, new residences, additions to residences, certain sheds, carports and pergolas etc. Information on exempt developments can be found at <https://www.planning.act.gov.au/applications-and-assessments/development-applications/check-if-you-need-a-da>



ACCESS CANBERRA  
 LAND, PLANNING & BUILDING SERVICES  
 8 Darling Street  
 MITCHELL ACT 2911

10-MAR-2026 15:52

**PLANNING AND LEASE MANAGER (PaLM)**  
**LEASE CONVEYANCING ENQUIRY REPORT**

Page 2 of 2

<u>Sect</u>	<u>Blk</u>	<u>DA No.</u>	<u>Description</u>	<u>Overlay Policy</u>	<u>Status</u>
28	14	202443655	PLANNING ACT 2023 - PROPOSAL FOApproval Conditional MULTI-UNIT DEVELOPMENT AND LEASE VARIATION - Demolition of existing dwelling, construction of 3 two-storey dwellings, attached garages, new driveway/verge crossing, tree removal, landscaping and associated works. Lease Variation to permit three (3) dwellings.		10-APR-25

**LAND USE POLICIES**

To check the current land use policy in the suburb that you are buying a property in, please check the Territory Plan online at <https://www.legislation.act.gov.au/ni/2023-540/>

**CONTAMINATED LAND SEARCH**

Information is not recorded by the Environment Protection Authority regarding the contamination status of this land. However, this does not absolutely rule out the possibility of contamination and should not be interpreted as a warranty that there is no contamination. To be completely sure, independent tests should be arranged.

**ASBESTOS SEARCH**

ACT Government records indicate that a form of asbestos was previously on this land. Premises have now been demolished and removed from the affected residential premises register - Dangerous Substances Act 2004, s 47N.

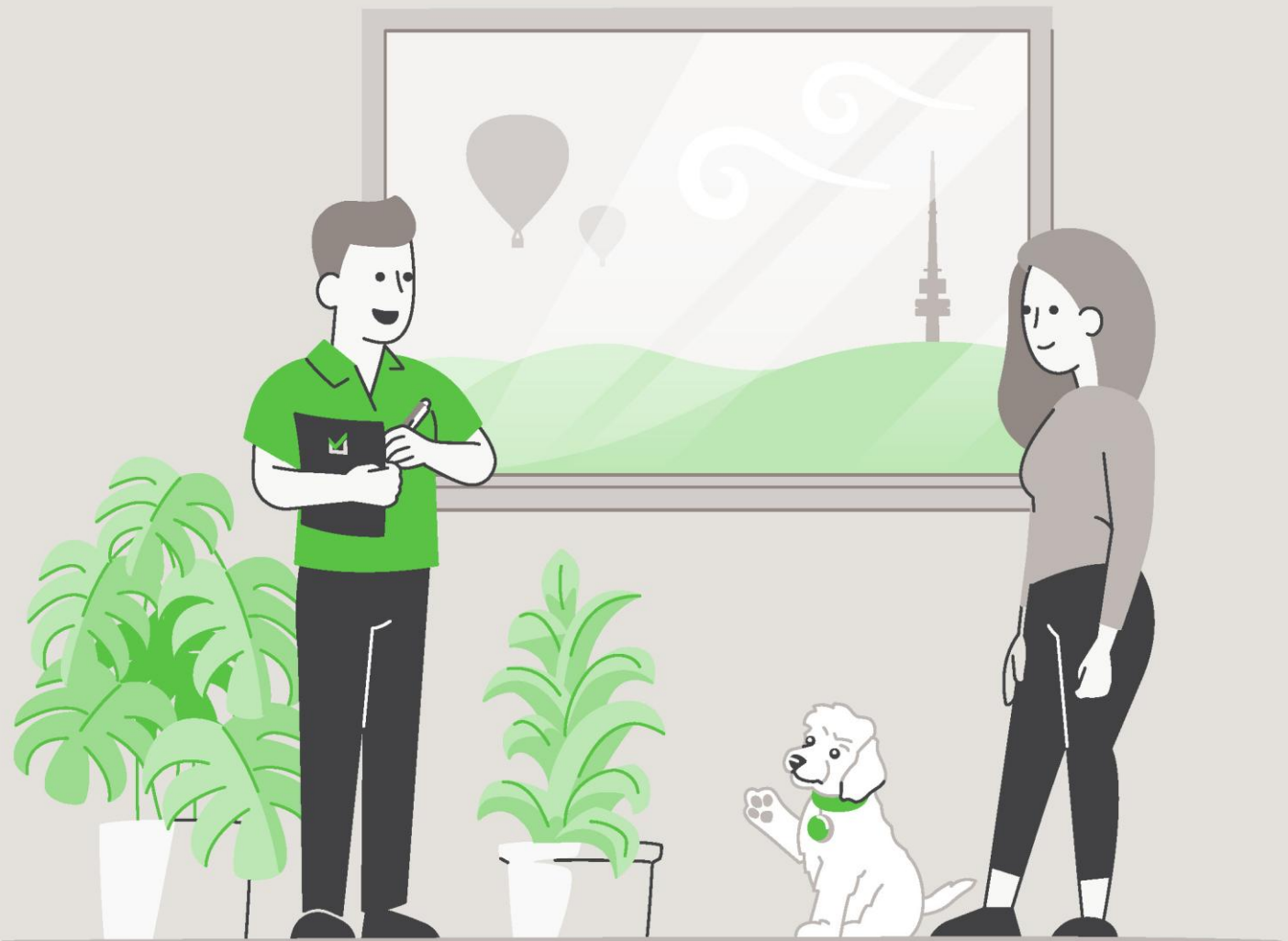
**CAT CONTAINMENT AREAS**

Cat containment has been extended across the ACT for cats born on or after 1 July 2022. Containment means keeping your cat on your premise 24 hours a day. This can include your house or apartment, enclosed area in a backyard or courtyard, a cat crate or leash. Cats born before 1 July 2022 do not have to be contained unless they live in one of the 17 currently declared cat containment suburbs. All cats (regardless of age) located in the following suburbs must be contained to their premise 24 hours a day. However, cats can be walked on a leash and harness under effective control in all containment suburbs: BONNER, COOMBS, CRACE, DENMAN PROSPECT, FORDE, JACKA, LAWSON, MOLONGLO, MONCRIEFF, STRATHNAIRN, THE FAIR in north WATSON, THROSBY, WRIGHT, GUNGAHLIN TOWN CENTRE, MACNAMARA, TAYLOR and WHITLAM. More information on cat containment is available at <https://www.cityservices.act.gov.au/pets-and-wildlife/domestic-animals/cats/cat-containment> or by phoning Access Canberra on 13 22 81.

**URBAN FOREST ACT 2023**

The Urban Forest Act 2023 (or Tree Protection Act 2005 where applicable) protects individual trees of importance and urban forest areas that require particular protection. A Tree Register has been established and can be found on the Transport Canberra and City Services website [https://www.cityservices.act.gov.au/trees-and-nature/trees/act\\_tree\\_register](https://www.cityservices.act.gov.au/trees-and-nature/trees/act_tree_register) or for further information please call Access Canberra on 132281.

# Report



## LIMITED LIABILITY TO A PURCHASER WITHIN THE AUSTRALIAN CAPITAL TERRITORY

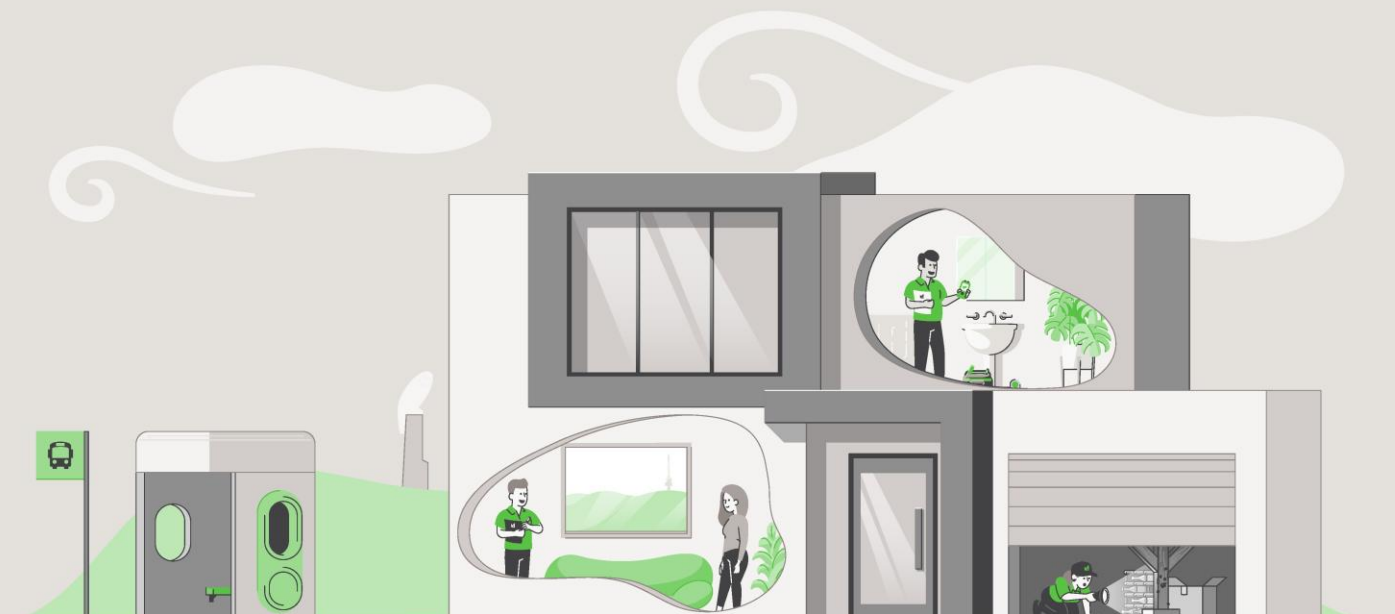
---

This Report is made solely for the use and benefit of the Client. The Consultant is not liable for any reliance placed on this report by any third party. However, within the ACT only and in accordance with the Civil Law (Sale of Residential Property) Act 2003 and the Civil Law (Sale of Residential Property) Regulations 2004, a copy of the report must be attached to the Contract for Sale and may in certain circumstances be relied upon by the Purchaser of residential property.

The circumstances in which a Purchaser of residential property within the ACT may rely on this report in respect of the state of the property at the time of the inspection are as follows:

- (a)** The inspection was carried out no earlier than three months before the day the property was first advertised or offered for sale or listed by an agent; and
- (b)** The date on which the contract was entered into was not more than 180 days after the date of the inspection.
- (c)** The report is provided to the Purchaser prior to or at the time the Contract for Sale is entered into between the Purchaser and vendor.
- (d)** The service requested is the Standard Inspection Report.

# Building Report



## CONCLUSION AND SUMMARY

---

The purpose of the Inspection is to identify the major defects and safety hazards associated with the property at the time of the Inspection. The Inspection and reporting are limited to a visual assessment of the Building Members in accord with Appendix C AS4349.1-2007.

The overall condition of this building has been compared to similar constructed buildings of approximately the same age where those buildings have had a maintenance program implemented to ensure that the building members are still fit for purpose.

**The incidence of Major Defects** in this Residential Building as compared with similar Buildings is considered: **Low**

**The incidence of Minor Defects** in this Residential Building as compared with similar Buildings is considered: **Low**

**The overall condition** of this Residential Dwelling in the context of its age, type and general expectations of similar properties is: **Above Average**

**Please Note:** This is a general appraisal only and cannot be relied upon on its own – read the Report in its entirety.

This Summary is supplied to allow a quick and superficial overview of the Inspection results. This Summary is NOT the Report and cannot be relied upon on its own. This Summary must be read in conjunction with the full Report and not in isolation from the Report. If there should happen to be any discrepancy between anything in the Report and anything in this Summary, the information in the Report shall override that in this Summary.

**PROPERTY STATISTICS**


---

Building Report	Above Average
Compliance Report	No unapproved structures
Pest Inspection	No active subterranean termites (live specimen) were found
Energy Efficiency Rating	6.0 Stars
Inspection Date	Friday, March 6 <sup>th</sup> 2026
Name of Assessor	Ned Strickland
Reference Number	68718
Address of Property Inspected	30 Hodgson Cres, Pearce ACT 2607
Client	Houston and Balmaks
Unit, Block and Section	Unit 1, Block 18 Section 10 PEARCE
Year original residence COU was issued	2021
House size (approximately)	Lower Level: 105.77m <sup>2</sup> Upper Level: 48.39m <sup>2</sup> Garage: 19.65m <sup>2</sup> Total: 173.81m <sup>2</sup>
Weather conditions at time of Inspection	Fine
Occupancy Status	Occupied

\*The table above is to be used as a quick reference. Please read the full Report before reaching your conclusion regarding the condition of the Property.

Whilst every care has been taken to ensure the accuracy of the property house and block size, we accept no responsibility for any inaccuracies as supplying this information exceeds a standard building inspection under AS4349.1-2007.

## PROPERTY CONSTRUCTION DETAILS

---

Flooring	Concrete slab on ground to the ground floor level. Timber bearer and joists to the upper floor level
External walls	Brick veneer and metal cladding
Roof framing	Timber: Truss roof framing
Roof cladding	Colorbond roof cladding
Glazing	Double glazed windows
Cooktop	Gas cooktop
Oven	Electric oven
Dishwasher	Bosch

\*Whilst every care has been taken to ensure the accuracy of the property construction details, we accept no responsibility for any inaccuracies of construction details or testing of appliances.

## GENERAL ACCESS LIMITATIONS

---

Internal	At the time of inspection, the building was furnished. This allows for a limited inspection in areas not restricted by furnishings, stored goods, floor mats, etc.
External	No inspection was made to sections of the residence and/or structures built on the side boundary
Roof void	The inspection of the roof void was restricted to a visual inspection from the roof access point due to the low roof pitch not allowing bodily access. Insulation and ducting flex on top of ceiling restricting visual inspection of the ceiling framing
On-top of roof	No inspection was made to the roof as roof could not be accessed with a 3.6m ladder
Garage	The inspection of the garage was restricted due to stored goods being kept in the area at the time of inspection

\*Where access is noted as limited or restricted, it is recommended that access be gained to these areas as these areas may contain concealed defects.

**DEFINITIONS**

<b>Good</b>	The item is in the Inspector's opinion of an acceptable standard with no defects visible. Superficial defects will not be commented on
<b>Fair</b>	The item in the Inspector's opinion has some minor defects and requires minimal maintenance or repair
<b>Poor</b>	The item in the Inspector's opinion needs significant repair or replacement

**ENTRANCE**

Ceiling	Good
Walls	Good
Door and door hardware	Good
Floor coverings	Good

**LOUNGE ROOM**

Ceiling	Good
Walls	Good
Floor coverings	Good

**FAMILY ROOM**

Ceiling	Good
Walls	Good
Door and door hardware	Good
Floor coverings	Good

**KITCHEN/MEALS**

Ceiling	Good
Walls	Good
Door and door hardware	Good
Floor coverings	Good
Kitchen cupboards	Good
Bench top	Good
Splashback	Good
Exhaust fan	The exhaust fan was operational at the time of inspection

**STAIRWELL**

Ceiling	Good
Walls	Good
Door and door hardware	Good
Floor coverings	Good
Handrail	Good

**BEDROOM 1**

Ceiling	Good
Walls	Good
Door and door hardware	Good
Floor coverings	Good
Wardrobe	Good

**BEDROOM 2**

Ceiling	Good
Walls	Good
Door and door hardware	Good
Floor coverings	Good
Wardrobe	Good

**BEDROOM 3**

Ceiling	Good
Walls	Good
Door and door hardware	Good
Floor coverings	Good
Wardrobe	Good

**BEDROOM 4**

Ceiling	Good
Walls	Good
Door and door hardware	Good
Floor coverings	Good
Wardrobe	Good

**ENSUITE**

Ceiling	Good
Walls	Good
Door and door hardware	Good
Floor coverings	Good
Shower screen	Good
Water leakage in shower area?	There was no water leakage detected
Floor and wall tiles in shower area	Good
Vanity/Basin	Good
Taps	Good
Toilet suite	Good
Exhaust fan	The exhaust fan was operational at the time of inspection

**BATHROOM**

Ceiling	Good
Walls	Good
Door and door hardware	Good
Floor coverings	Good
Shower screen	Good
Water leakage in shower area?	There was no water leakage detected
Floor and wall tiles in shower area	Good
Vanity/Basin	Good
Taps	Good
Bath	Good
Toilet suite	Good
Exhaust fan	The exhaust fan was operational at the time of inspection

**POWDER ROOM**

Ceiling	Good
Walls	Good
Door and door hardware	Good
Floor coverings	Good
Vanity/Basin	Good
Taps	Good
Toilet suite	Good
Exhaust fan	The exhaust fan was operational at the time of inspection

**LAUNDRY**

Ceiling	Good
Walls	Good
Door and door hardware	Good
Floor coverings	Good
Laundry tub	Good
Splashback	Good
Exhaust fan	The exhaust fan was operational at the time of inspection

**ROOF CAVITY**

Construction	Good
--------------	------

**EXTERIOR**

Driveway and paths	Good. No major cracking noted
Eaves	Good
Fascia	Good
External walls	Good. No major cracking noted
Windows	Good
Fences	Good
Gate	Good
Alfresco	Good
Carport	Good
Retaining walls	Good
Site drainage	The site generally drains away from the perimeter of the building

**GARAGE**

Slab	Good. No major cracking noted
Ceiling	Good
Walls	Good. No major cracking noted
Garage door	Good
Is an auto opener installed on the roller door?	Yes
Access door	Good

## DEFINITIONS

---

**Above Average:** The overall condition is above that consistent with dwellings of approximately the same age and construction. Most items and areas are well maintained and show a reasonable standard of workmanship when compared with buildings of similar age and construction.

**Average:** The overall condition is consistent with dwellings of approximately the same age and construction. There will be areas or items requiring some repair or maintenance.

**Below Average:** The Building and its parts show some significant defects and/or very poor non-tradesman like workmanship and/or long-term neglect and/or defects requiring major repairs or reconstruction of major building elements.

**Client:** The person or persons, for whom the Inspection Report was carried out or their Principal (i.e., the person or persons for whom the report is being obtained).

**Building Consultant:** A person, business or company who is qualified and experienced to undertake a pre-purchase inspection in accordance with Australian Standard AS 4349.1-2007 'Inspection of Buildings. Part 1: Pre-Purchase Inspections – Residential Buildings'. The consultant must also meet any Government licensing requirement, where applicable.

**Building & Site:** The inspection of the nominated residence together with relevant features including any car accommodation, detached laundry, ablution facilities and garden sheds, retaining walls more than 700 mm high, paths and driveways, steps, fencing, earth, embankments, surface water drainage and storm water run-off within 30 m of the building, but within the property boundaries. In the case of strata and company title properties, the inspection is limited to the interior and immediate exterior of the nominated residence and does not include inspection of common property.

**Readily Accessible Areas:** Areas which can be easily and safely inspected without injury to person or property, are up to 3.6 metres above ground or floor levels or accessible from a 3.6 metre ladder, in roof spaces where the minimum area of accessibility is not less than 600 mm high by 600 mm wide and subfloor spaces where the minimum area of accessibility is not less than 400 mm high by 600 mm wide, providing the spaces or areas permit entry. Or where these clearances are not available, areas within the consultant's unobstructed line of sight and within arm's length.

**Structure:** The loadbearing part of the building, comprising the Primary Elements.

**Primary Elements:** Those parts of the building providing the basic loadbearing capacity to the Structure, such as foundations, footings, floor framing, loadbearing walls, beams, or columns. The term 'Primary Elements' also includes other structural building elements including those that provide a level of personal protection such as handrails; floor-to-floor access such as stairways; and the structural flooring of the building such as floorboards.

**Secondary Elements:** Those parts of the building not providing loadbearing capacity to the Structure, or those non-essential elements which, in the main, perform a completion role around openings in Primary Elements and the building in general such as non-loadbearing walls, partitions, wall linings, ceilings, chimneys, flashings, windows, glazing or doors.

**Finishing Elements:** The fixtures, fittings and finishes applied or affixed to Primary Elements and Secondary Elements such as baths, water closets, vanity basins, kitchen cupboards, door furniture, window hardware, render, floor, and wall tiles, trim or paint. The term 'Finishing Elements' does not include furniture or soft floor coverings such as carpet and lino.

**Major Defect:** A defect of significant magnitude where rectification has to be carried out in order to avoid unsafe conditions, loss of utility or further deterioration of the property.

**Minor Defect:** A defect other than a Major Defect.

**Safety Hazard:** Any item that may constitute an immediate or imminent risk to life, health, or property. Occupational, health and safety or any other consequence of these hazards has not been assessed.

**Tests:** Where appropriate the carrying out of tests using the following procedures and instruments:

Dampness Tests means additional attention to the visual examination was given to those accessible areas which the consultant's experience has shown to be particularly susceptible to damp problems. Instrument testing using electronic moisture detecting meter of those areas and other visible accessible elements of construction showing evidence of dampness was performed.

Physical Tests means the following physical actions undertaken by the consultant: opening and shutting of doors, windows and draws; operation of taps; water testing of shower recesses; and the tapping of tiles and wall plaster.

## IMPORTANT ADVICE

---

**NB.** In the case of strata and company title properties, the Inspection is limited to the interior and immediate exterior of the particular unit being inspected. The exterior above ground floor level is not inspected. The complete Inspection of other common property areas would be the subject of a Special-Purpose Inspection Report which is adequately specified.

**Trees:** Where trees are too close to the house this could affect the performance of the footing as the moisture levels change in the ground. A Geotechnical Inspection can determine the foundation material and provide advice on the best course of action with regards to the trees.

**The Septic Tanks:** Should be inspected by a licensed plumber.

**Swimming Pools:** Swimming Pools/Spas are not part of the Standard Building Report under AS4349.1-2007 and are not covered by this Report. We strongly recommend a pool expert should be consulted to examine the pool and the pool equipment and plumbing, as well as the requirements to meet the standard for pool fencing. Failure to conduct this Inspection and put into place the necessary recommendations could result in finds for non-compliance under the legislation.

**Surface Water Drainage:** The retention of water from surface run off could have an effect on the foundation material which in turn could affect the footings to the house. Best practice is to monitor the flow of surface water during rainfall and stormwater runoff and have the water directed away from the house or to storm water pipes by a licensed plumber/drainier.

**Weep Holes:** External brick (and stone) walls are a porous material that behave much like a sponge. During a rain event, the masonry wall absorbs water and actually stores it. The weep holes are designed for two purposes. 1. To provide an opening to allow water to drain out through the bottom of the wall. 2. To allow ventilating air to enter behind the wall to help dry the structure. If weep holes have been noted as being not installed, it is recommended to consult a builder on how to best rectify the problem.

**Water Leaks from Roof:** The inspector cannot, and does not, offer an opinion on whether the roof currently leaks or may be subject to future leaks. The only way to determine whether a roof is absolutely watertight is to make observations during prolonged rainfall.

**Subfloor dampness:** The presence of dampness is not always consistent as the prevailing and recent weather conditions at the time an inspection is carried out may affect the detection of damp problems. The absence of any dampness at the time of inspection does not necessarily mean the building will not experience some damp problems in other weather conditions. Likewise, whether or not services have been used for some time prior to an inspection being carried out will affect the detection of dampness.

**Shower:** Where a shower recess has been water tested, and no leakage was evident, this does not necessarily mean that the shower will not leak after prolonged use. Accordingly, to fully detect and assess a damp problem may require the monitoring of the building over a period of time.

## SCOPE AND LIMITATIONS

---

**Any person who relies upon the contents of this Report does so acknowledging that the following clauses, which define the Scope and Limitations of the Inspection, form an integral part of the Report.**

**1) This Report is not an all-encompassing** Report dealing with the building from every aspect. It is a reasonable attempt to identify any obvious or significant defects apparent at the time of the Inspection. Whether or not a defect is considered significant or not, depends to a large extent upon the age and type of the building inspected. This Report is not a Certificate of Compliance with the requirements of any Act, Regulation, Ordinance or By-law. It is not a structural Report. Should you require any advice of a structural nature you should contact a structural engineer.

**2) This is a visual Inspection only**, limited to those areas and sections of the property fully accessible and visible to the Inspector on the date of Inspection. The Inspection DID NOT include breaking apart, dismantling, removing, or moving objects including, but not limited to, foliage, mouldings, roof insulation/sisalation, floor or wall coverings, sidings, ceilings, floors, furnishings, appliances, or personal possessions. The inspector CANNOT see inside walls, between floors, inside skillion roofing, behind stored goods in cupboards and other areas that are concealed or obstructed. The inspector DID NOT dig, gouge, force or perform any other invasive procedures. Visible timbers CANNOT be destructively probed or hit without the written permission of the property owner.

**3) This Report does not and cannot make comment upon:** Defects that may have been concealed; the assessment or detection of defects (including rising damp and leaks) which may be subject to the prevailing weather conditions; whether or not services have been used for some time prior to the Inspection and whether this will affect the detection of leaks or other defects (e.g. In the case of shower enclosures the absence of any dampness at the time of the inspection does not necessarily mean that the enclosure will not leak); the presence or absence of timber pests; gas-fittings; common property areas; environmental concerns; the proximity of the property to flight paths, railways, or busy traffic; noise levels; health and safety issues; heritage concerns; security concerns; fire protection; site drainage (apart from **surface** water drainage); swimming pools and spas (non-structural); detection and identification of illegal building work; detection and identification of illegal plumbing work; durability of exposed finishes; neighbourhood problems; document analysis; electrical installation; any matters that are solely regulated by statute; any area(s) or item(s) that could not be inspected by the consultant.

Accordingly, this Report is NOT a guarantee that defects and/or damage does not exist in any inaccessible or partly inaccessible areas or sections of the property.

**NB.** Such matters may, upon request, be covered under the terms of a 'Special-Purpose Property Report'.

**4) Consumer Complaints Procedure:** In the event of any dispute or claim arising out of, or relating to the Inspection or the Report, you must notify us as soon as possible of the dispute or claim by email, fax, or mail. You must allow us (which includes persons nominated by us) to visit the property (which visit must occur within twenty eight (28) days of your notification to us) and give us full access in order that we may fully investigate the complaint. You will be provided with a written response to your dispute or claim within twenty-eight (28) days of the date of the Inspection.

If you are not satisfied with our response, you must within twenty one (21) days of your receipt of our written response, refer the matter to a Mediator nominated by us from the Institute of Arbitrators and Mediators of Australia. The cost of the Mediator will be borne equally by both parties, and as agreed as part of the mediated settlement.

Should the dispute or claim not be resolved by mediation, then the dispute or claim will proceed to arbitration. The Institute of Arbitrators and Mediators of Australia will appoint an Arbitrator who will hear and resolve the dispute. The arbitration, subject to any directions of Arbitrator, will proceed in the following manner:

**(a)** The parties must submit all written submissions and evidence to the Arbitrator within twenty one (21) days of the appointment of the Arbitrator; and

**(b)** The arbitration will be held within twenty one (21) days of the Arbitrator receiving the written submissions.

The Arbitrator will make a decision determining the dispute or claim within twenty one (21) of the final day of the arbitration. The Arbitrator may, as part of his determination, determine what costs, if any, each of the parties are to pay and the time by which the parties must be paid any settlement or costs.

The decision of the Arbitrator is final and binding on both parties. Should the Arbitrator order either party to pay any settlement amount or costs to the other party but not specify a time for payment, then such payment shall be made within twenty one (21) days of the order.

**NB.** In the event that you do not comply with the above Complaints Procedure and commence litigation against us, then you agree to fully indemnify us against any awards, costs, legal fees, and expenses incurred by us in having your litigation set aside or adjourned to permit the foregoing Complaints Procedure to complete.

**5) Asbestos Disclaimer: “No Inspection for Asbestos was carried out at the property, and no Report on the presence or absence of Asbestos is provided”.**

Buildings built prior to 1982 may have wall and/or ceiling sheeting, and other products including roof sheeting that contains Asbestos. Even buildings built after this date, up until the early 90s, may contain some Asbestos. Sheeting should be fully sealed. If you are concerned, the building was built prior to 1990, or if asbestos is noted as present within the property, then you should seek advice from a qualified asbestos removal expert as to the amount and importance of the asbestos present and the cost of sealing or removal. Drilling, cutting, or removing sheeting or products containing Asbestos is a high risk to peoples’ health. You should seek advice from a qualified asbestos removal expert.

**6) Mould (Mildew and non-wood decay fungi) Disclaimer:** Mildew and non-wood decay fungi are commonly known as mould. However, mould and their spores may cause health problems or allergic reactions, such as asthma and dermatitis in some people. No Inspection for mould was carried out at the property, and no Report on the presence or absence of mould is provided. If mould is noted as present within the property, or if you notice mould and you are concerned as to the possible health risk resulting from its presence, then you should seek advice from your local Council, State or Commonwealth Government Health Department, or a qualified expert such as an Industry Hygienist.

**7) Magnesite Flooring Disclaimer:** No Inspection for Magnesite Flooring was carried out at the property, and no Report on the presence or absence of Magnesite Flooring is provided. You should ask the owner whether Magnesite Flooring is present and/or seek advice from a Structural Engineer.

**8) Estimating Disclaimer:** Any estimates provided in this Report are merely opinions of possible costs that could be encountered, based on the knowledge and experience of the inspector, and are not estimates in the sense of being a calculation of the likely costs to be incurred. The estimates are NOT a guarantee or quotation for work to be carried out. The actual cost is ultimately dependent upon the materials used, standard of work carried out, and what a contractor is prepared to do the work for. It is recommended in ALL instances that multiple independent quotes are sourced prior to any work being carried out. The inspector accepts no liability for any estimates provided throughout this Report.

**9) Note:** If the Client has any doubt about the purpose, scope, and acceptance criteria on which the Report was based please discuss your concerns with the Consultant on receipt of the Report. The Client acknowledges that, unless stated otherwise, the Client as a matter of urgency should implement any recommendation or advice given in this Report.

## IMPORTANT DISCLAIMER

---

**Disclaimer Liability:** No Liability shall be accepted on an account of failure of the Report to notify any problems in the area(s) or section(s) of the subject property physically inaccessible for Inspection, or to which access for Inspection is denied by or to the Inspector (including but not limited to or any area(s) or section(s) so specified by the Report).

**Disclaimer of Liability to Third Parties:** Compensation will only be payable for losses arising in contract or tort sustained by the Client named on the front of this Report. Any third party acting or relying on this Report, in whole or in part, does so entirely at their own risk. However, if ordered by a Real Estate Agent or a Vendor for the purpose of auctioning a property, then the Inspection Report may be ordered up to seven (7) days prior to the auction, copies may be given out prior to the auction and the Report will have a life of 14 days during which time it may be transferred to the purchaser. Providing the purchaser agrees to the terms of this agreement, then they may rely on the Report subject to the terms and conditions of this agreement and the Report itself.

**NB.** In the ACT under the Civil Law (Sale of Residential Property) Act 2003 and Regulations, the Report resulting from this Inspection may be passed to the purchaser as part of the sale process, providing it is carried out no more than three months prior to listing and is not more than six months old.

**Limited Liability to a Purchaser within the Australian Capital Territory only:** Within the Australian Capital Territory (ACT) and in accordance with the ACT Civil Law (Sale of Residential Property) Act 2003 and Regulations, a copy of the Report may be attached to the Contract for Sale.

**WARNING:** The Purchaser is advised that this Report reflects the condition of the property existing at the time of the Inspection (Inspection Date) and may not reflect the current state. It is, therefore, very strongly recommended that you promptly arrange for another Inspection and Report in accordance with Australian Standard AS4349.1 to be carried out prior to the expiration of the 'Cooling off Period' and settlement.

**This is not a Compliance Report strictly in accordance with Civil Law (Sale of Residential Property) Regulations:** The Report may contain copies of any approved plans, building approvals, building permit and Certificates of Occupancy. However, any comments made by the person who prepared the Report as to whether or not, in the opinion of the Inspector, the structures on the land substantially comply with the approved plans (if any) are made on the basis of a cursory glance of the plans and not upon a detailed examination. Any opinion expressed as to whether or not any building approval or approval under the Land (Planning and Environment) Act, 1991, is based on the limited knowledge and belief, at the time, of the Inspector. The Purchaser is advised that a Special Purpose Report is available through the Inspector to advise more fully in respect to these matters. The structures may have been damaged by pests, storm, strong wind or fire or the Vendor may have carried out alterations and/or additions to the Property since the Inspection Date. The Report may no longer reflect the true condition of the Property. The structure(s) may no longer be in accordance with the attached plans etc. IT IS STRONGLY RECOMMENDED that, if the Purchaser has any concerns in respect to the compliance of the structures, a Special Purpose Report be obtained. Alternatively, the Purchaser should rely upon his, her or their own enquiries.

**Contact the Inspector:** Please feel free to contact the Inspector who carried out this Inspection. Often it is very difficult to fully explain situations, problems, access difficulties, building faults or their importance in a manner that is readily understandable by the reader. Should you have any difficulty in understanding anything contained within this Report, then you should immediately contact the Inspector and have the matter explained to you. If you have any questions at all, or require any clarification, then contact the Inspector prior to acting on this Report.

## OTHER INSPECTIONS AND REPORTS REQUIRED

---

It is strongly recommended that the following Inspections and Reports be obtained prior to any decision to purchase the Property. Obtaining these Reports will better equip the purchaser to make an informed decision. Although appliances may be listed in the Report, they have not been tested as this is outside the scope of the standard Building Inspection. Other Inspections we recommend the purchaser obtains before making their decision are:

- Electrical Inspection,
- Plumbing Inspection,
- Structural (Engineer),
- Geotechnical Inspection,
- Drainage Inspection,
- Asbestos Inspection,
- Mould Inspection,
- Gas fitting Inspection,
- Appliances Inspection,
- Air-conditioning Inspection,
- Alarm/Intercom/Data Systems,
- Hydraulics Inspection,
- Mechanical Services,
- Hazards Inspection,
- Fire/Chimney Inspection,
- Estimating Report,
- Garage Door Mechanical,
- Durability exposed surfaces

## SMOKE DETECTORS

---

The occupier/purchaser should satisfy themselves as to the working condition of the smoke detectors, if installed. It is highly recommended that suitable smoke detectors be installed in all residential properties. AS 3786 advises that smoke detectors are required for all buildings where people sleep. It is recommended that an electrician be consulted to advise on those installed or install these detectors.

## CRACKING OF BUILDING ITEMS

---

Regardless of the type of crack(s), a Pre-Purchase Building Inspector carrying out a Pre-Purchase Inspection within the scope of a visual Inspection is unable to determine the expected consequences of the cracks.

Obtaining Information regarding the below all fall outside the scope of this Pre-Purchase Inspection:

- (a)** The nature of the foundation material on which the building is resting,
- (b)** The design of the footings,
- (c)** The site landscape,
- (d)** The history of the cracks and,
- (e)** Carrying out an invasive Inspection.

However, the information obtained from the five items above is valuable in determining the expected consequences of the cracking and any remedial work needed. Cracks that are small in width and length on the day of the Inspection may have the potential to develop over time into structural problems for the homeowner, resulting in major expensive rectification work being carried out. If cracks have been identified in the Report above, then a Structural Engineer is required to determine the significance of the cracking prior to a decision to purchase.

## NOTICE TO THE PURCHASER (ACT ONLY)

---

(a) At the Exchange, and prior to the 'Cooling-off Period', you were given an Inspection Report on the property you intend on purchasing. This Report reflects the condition of the property existing at the time of the Inspection (Inspection Date) and may not reflect the current state. The structures may have been damaged by pests, storm, strong wind or fire or the vendor may have carried out alterations and/or additions to the property since the Inspection date. The Report may no longer reflect the true condition of the property. The structure(s) may no longer be in accordance with the attached plans etc. It is, therefore, very strongly recommended that you urgently arrange for another Inspection and Report in accordance with Australian Standard AS 4349.1 to be carried out prior to exchange, or prior to the expiration of any 'Cooling Off Period' and prior to settlement.

(b) If the Report indicated the presence of termite damage, or recommends any other Inspections or treatments, you should obtain copies of these Reports and any treatment proposals, certificates of treatment carried out, including details of all repairs including copies of quotations, invoices, and any other Reports. It is strongly recommended that you arrange for an Inspection and Report in accordance with AS 4349.3 to verify that the treatment has been successful and carried out in accordance with AS 3660.2, and a further building Inspection in accordance with AS 4349.1.

(c) If you fail to procure a further Inspection and Report as recommended in (a) and (b), or fail to obtain copies of other Reports, treatment proposals, certificates of treatment carried out, details of all repairs including copies of quotations, invoices and any other Reports as recommended in (b) above, then you agree that you have decided not to have a further Inspection and Report carried out, or to obtain copies of treatment proposals, certificates of treatment carried out, details of all repairs including copies of quotations, invoices and any other Reports and have relied upon your own enquires and the Report, knowing the possible consequences, and that the condition of the property, as stated in the Report, may have changed.

(d) You agree that the person carrying out the Inspection **and** the company, partnership or sole trader that employs that person will have no liability to you for any damage or loss you may suffer as a result of your entering the contract to purchase the property, or in connection with completing the purchase of the property as a result of your failure to heed the advice given in (a) and (b) and the warning contained in (c) above, and may use such failure in defense of any claim that you may later make against any of them.

**NB.** It is a condition of your right to rely upon the Report that you transmit by fax, post, or otherwise deliver the signed "Notice to the Purchaser" (ACT only) to the company, partnership or sole trader at the address detailed on the front of the Report not less than four (4) days prior to the date of settlement. If you fail to complete, sign, or deliver the Notice then it will be deemed that you did not rely upon the report in respect to your decision as to whether or not to purchase the property. This may seriously affect any rights to future compensation to which you may be entitled.

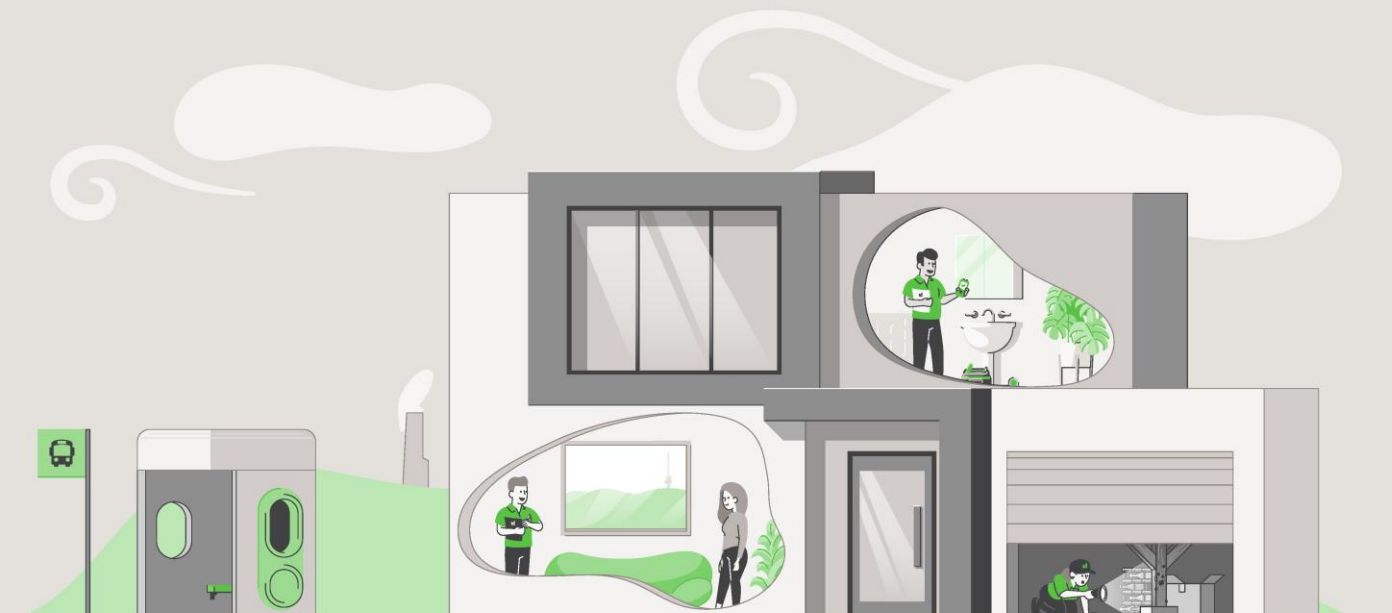
**Please cross out the statement below that does not apply: - At the date of settlement, not more than 180 days will have elapsed since the Inspection date.**

1. I/We have read and understood the 'Limited Liability to a Purchaser within the Australian Capital Territory only' clause of the Report, and this Notice to the Purchaser. I/We have not arranged for another inspection and report in respect of the property, and it is my/our intention to **rely upon the findings contained in the report**; or

2. I/We have **arranged for another Inspection of the Property and Report** to be carried out, which I/We will use in conjunction with this Report in deciding whether to proceed with the purchase of the property; or

3. I/We have read and understood the 'Limited Liability to a Purchaser within the Australian Capital Territory only' clause of the Report, and this Notice to the Purchaser. I/We have not arranged for another Inspection and Report in respect of the property and have **relied on my/our own enquiries in respect of the condition of the property** as at the date of settlement including any changes in the condition of the property that have taken place since the Inspection date stated in the Report

# Timber Pest Report



## SUMMARY SHEET

---

**Property Address:** 30 Hodgson Crescent, Pearce ACT 2607  
**Client:** Houston and Balmaks  
**Inspection Date:** Friday, March 6<sup>th</sup> 2026  
**Inspection carried out by:** Ned Strickland

---

This summary is supplied to allow a quick and superficial overview of the Inspection results. This summary is NOT the Report and cannot be relied upon on its own. This summary must be read in conjunction with the full Report and not in isolation from the Report. If there should happen to be any discrepancy between anything in the Report, and anything in this summary, the information in the Report shall override that in the summary. The Report is subject to conditions and limitations. Your attention is particularly drawn to the clauses, disclaimer of liability to third parties, limited liability to a purchaser with the Australian Capital Territory (ACT), and to the notice to the purchaser at the back of this Report.

---

### 1.0 ACCESS LIMITATIONS

**There were access limitations to the inspection/report. Please refer to section 1.0 of the report.**

### 2.0 TERMITE ACTIVITY

**No active subterranean termites (live specimens) were found.**

**No visible evidence of subterranean termite workings or damage was found.**

### 3.0 BORER ACTIVITY

**No visible evidence of borers of seasoned timbers was found.**

### 4.0 DECAY FUNGI

**No evidence of damage caused by wood decay (rot) fungi was found.**

For complete and accurate information, please refer to the attached 'Visual Timber Pest Report', which is prepared in accordance with AS 4349.3.

## CONDITIONS OF THIS INSPECTION

---

### Important Information:

Any person who relies upon the contents of this Report does so acknowledging that the following clauses, which define the scope and limitations of the Inspection, form an integral part of the Report.

This is a **Visual Inspection Only**, prepared in accordance with AS 4349.3, 'Inspection of Buildings Part 3: Timber Pest Inspections'. Visual Inspection was limited to those areas and sections of the property to which reasonable access (see definition) was both available and permitted on the date of Inspection.

The Inspection **did not** include breaking apart, dismantling, removing, or moving objects including but not limited to – foliage, mouldings, roof insulation/sisalation, floor or wall coverings, sidings, ceilings, floors, furnishings, appliances, or personal possessions.

The Inspector **cannot** see inside walls, between floors, inside skillion roofing, inside the eaves, behind stored goods in cupboards, or in any other areas that are concealed or obstructed.

The Inspector **did not** dig, gouge, force or perform any other invasive procedures. An invasive Inspection will not be performed unless a separate contract is entered into.

In an occupied property, it must be understood that furnishings or household items may be concealing evidence of Timber Pests, which may only be revealed when the items are moved or removed.

In the case of strata type properties, only the interior of the unit is inspected.

### Scope of Report:

This Report only deals with the detection or non-detection of Timber Pest Attack and Conditions Conducive to Timber Pest Attack discernible at the time of inspection. The inspection was limited to the Readily Accessible Areas of the Building and Site (see note below) and was based on a visual examination of surface work (excluding furniture and stored items), and the carrying out of Tests. Note. With strata and company title properties, the inspection was limited to the interior and the immediate exterior of the particular residence inspected. Common property was not inspected.

### Limitations:

The Client acknowledges:

**(a)** This Report does not include the inspection and assessment of matters outside the scope of the requested inspection and report.

**(b)** The inspection only covered the Readily Accessible Areas of the Building and Site. The inspection did not include areas which were inaccessible, not readily accessible or obstructed at the time of inspection. Obstructions are defined as any condition or physical limitation which inhibits or prevents inspection and may include – but are not limited to – roofing, fixed ceilings, wall linings, floor coverings, fixtures, fittings, furniture, clothes, stored articles/materials, thermal insulation, sarking, pipe/duct work, builder's debris, vegetation, pavements, or earth.

**(c)** The detection of dry wood termites may be extremely difficult due to the small size of the colonies. No warranty of absence of these termites is given.

**(d)** European House Borer (*Hylotrupes bajulus*) attack is difficult to detect in the early stages of infestation as the galleries of boring larvae rarely break through the affected timber surface. No warranty of absence of these borers is given. Regular inspections including the carrying out of appropriate tests are required to help monitor susceptible timbers.

**(e)** This is not a structural damage report. Neither is this a warranty as to the absence of Timber Pest Attack.

**(f)** If the inspection was limited to any particular type(s) of timber pest (e.g., subterranean termites), then this would be the subject of a Special-Purpose Inspection Report, which is adequately specified.

**(g)** This Report does not cover or deal with environmental risk assessment or biological risks not associated with Timber Pests (e.g., toxic Mould) or occupational, health or safety issues. Such advice may be the subject of a Special-Purpose Inspection Report which is adequately specified and must be undertaken by an appropriately qualified inspector. The choice of such inspector is a matter for the Client.

**(h)** This Report has been produced for the use of the Client. The Consultant or their firm or company are not liable for any reliance placed on this report by any third party, except as provided in the section Limited Liability To a Purchaser within the Australian Capital Territory.

**Determining extent of Damage:**

This is not a structural building report, and any inexpert opinion we provide on timber damage cannot be relied upon. This Report **will not** state the full extent of any Timber Pest damage. It will state Timber Pest Damage found as either 'slight', 'moderate', 'moderate to extensive', or 'extensive', and this information is not the opinion of an expert. If any evidence of Timber Pest activity and/or damage resulting from Timber Pest activity is reported, either in the structure(s) or the grounds of the property, then you must assume that there may be concealed structural damage within the building(s).

This concealed damage may only be found when wall linings, cladding or insulation are removed to reveal previously concealed timbers. In this case, an Invasive Timber Pest Inspection (for which a separate contract is required) is strongly recommended, and you should arrange for a qualified professional such as a builder, engineer, or architect to carry out a structural Inspection to determine the full extent of the damage, and the extent of repairs that may be required. You agree that neither we, nor the individual conducting the Inspection, are responsible or liable for the repair of any damage, whether disclosed by the Report or not.

**Disclaimer of Liability:**

No liability shall be accepted on account of failure of the Report to notify any termite activity and/or damage present at, or prior to, the date of the Report, in any area(s) or section(s) of the subject property physically inaccessible for Inspection, or to which access for Inspection is denied by, or to, the licensed Inspector (including, but not limited to, any area(s) or section(s) specified by the Report).

## 1.0 ACCESS LIMITATIONS

---

### 1.1 Area(s) inspected:

Only structures, fences &/or trees within 50m of the building but within the property boundaries were inspected.

### 1.2 Common area(s) not inspected:

No Inspection was made, and no Report will be submitted, of inaccessible area(s).

These include, but may not be limited to; cavity walls, concealed frame timbers, eaves, flat roofs, fully enclosed patios, inaccessible parts of the subfloors, inaccessible parts of the roof void, soil concealed by concrete floors, fireplace hearths, wall linings, landscaping, rubbish, floor coverings, furniture, pictures, appliances, stored items, insulation, and hollow blocks/posts etc.

### 1.3 Area(s) in which visual inspection was obstructed or restricted and why:

**Ceiling framing timbers were concealed by insulation and ducting flex. Clothing and other stored items concealed timbers in cupboards and built in robes/closets. Furniture and stored items concealed some of the skirting boards and architraves inside the house. The inspection of the roof void was restricted to a visual inspection from the roof access point due to the low roof pitch not allowing bodily access.**

**NB.** Please note that since a complete Inspection of the above area(s) was not possible, Timber Pest activity and/or damage may exist in these areas.

### 1.4 The property was furnished at the time of inspection.

Where a property is furnished at the time of Inspection, it must be understood that the furnishings and stored goods may be concealing evidence of Timber Pest activity. This evidence may be revealed when the property is vacated, and a further Inspection of the vacant property is strongly recommended if the house was furnished at the time of inspection.

### 1.5 Undetected timber pest risk assessment is considered Low/Moderate.

**NB.** Where the risk is considered "Moderate" or "Moderate-High" or "High", a further inspection is strongly recommended of areas that were not readily accessible, and of inaccessible or obstructed areas once access has been provided or the obstruction removed. This may require the moving, lifting or removal of obstructions such as floor coverings, furniture, stored items foliage and insulation. In some instances, it may also require the removal of ceiling and wall linings, and the cutting of traps and access holes. Seek further advice from your Consultant.

## 2.0 TERMITE ACTIVITY

---

**2.1 No active (live) termites were present at the time of Inspection.**

**2.2 No visible evidence of subterranean termite workings and/or damage was found.**

**2.3 A termite nest was not found.**

**2.4 No evidence of timber damage caused by Termite attack was visible at the time of the Inspection.**

NB. Where evidence of termite activity by the *Nasutitermes* or *Coptotermes* species was found in the grounds, the risk to buildings is very high. A treatment to eradicate the termites and to protect the building(s) should be carried out. Where the evidence of termite workings was found in the grounds or the building(s), then the risk of a further attack is very high.

### **2.5 Very important:**

If live termites or any evidence of termite workings or damage was reported above, within the building(s) or in the grounds and fences, then it must be assumed that there may be concealed termite activity and/or timber damage. This concealed activity or damage may only be found when alterations are carried out, such as when wall linings, cladding or insulation are removed; or if you arrange for an invasive Inspection. We claim no expertise in structural engineering or building, and we strongly recommend that you have a qualified professional such as a builder, engineer, architect, or other qualified expert determine the full extent of the damage, if any. This may require an invasive Inspection. We take no responsibility for the repair of any damage, whether disclosed by this Report or not (see 'Terms and Limitations').

Where visual evidence of termite workings and/or damage is reported above, but no live termites were present at the time of Inspection, you must realise that it is possible that termites are still active in the immediate vicinity, and that the termites may continue to cause further damage. It is not possible, without further investigation and a number of Inspections over a period of time, to ascertain whether any infestation is active or inactive. Active termites may simply have not been present at the time of Inspection due to a prior disturbance or climatic conditions, or they may have been utilizing an alternative feeding source.

Continued, regular Inspections are essential. Unless written evidence of a termite protection program in accordance with 'AS 3660' with ongoing Inspections is provided, you must arrange for a treatment in accordance with 'AS 3660' to be carried out to reduce the risk of further attack.

**2.6 Previous termite treatment: There were no signs of a termite treatment or evidence of a possible previous termite treatment, at the time of inspection.**

**NB.** If there is evidence of drill holes in concrete or brickwork, bait stations or other signs of a possible previous treatment are reported, then the treatment was probably carried out because of an active termite attack. Extensive structural damage may exist in concealed areas. You should have an invasive Inspection carried out, and have a builder determine the full extent of any damage, and the estimated cost of repairs, as the damage may only be found when wall linings etc. are removed. Normally, if a termite treatment has been carried out, then a durable notice should be located in the metre box, indicating the type of termite shield system, treated zone or combination that has been installed.

**2.7 Termite management: A termite management notice was not found in the meter box; however, due to the age of the residence a barrier system should have been installed.**

This firm can give no assurances with regard to work that may have been previously performed by other firms. You should obtain copies of all paperwork and make your own enquiries as to the quality of the treatment when it was carried out, and warranty information. In most cases, you should arrange for a treatment in accordance with "Australian Standard 3660" to be carried out to reduce the risk of further attack.

**2.8 General remarks:**

Where any current visible evidence of Timber Pest activity is found, it is strongly recommended that a more invasive Inspection be performed. Trees on and near the property up to a height of 2 metres, have been visually Inspected where possible and practicable, for evidence of Termite activity. It is very difficult to locate termite nests since they are underground, and evidence in trees is usually well concealed. Therefore, we strongly recommend that you arrange to have the medium to large eucalypt trees within a 50 metre radius of the property test drilled for evidence of termite nests.

### 3.0 BORER ACTIVITY

---

#### 3.1 No visible evidence of borers was found.

The **Lyctid Borer** - The most common lyctid borer in Australia is **Lyctus brunneus (powder post beetle)**. Attack usually takes place during the first six to twelve months of the service life of timber. However, the powder post beetle is not considered a significant pest of timber and treatment of infestation is not usually required. As only the sapwood of certain hardwoods is destroyed, larger-dimensional timbers (such as rafters, bearers, and joists) in a building are seldom weakened significantly to cause collapse. The **Anobiid Borer** There are many different species of Anobiid borer, the most frequently encountered being *Anobium punctatum* (furniture beetle) and *Calymmaderus incisus* (Queensland pine beetle). Attack mainly occurs to softwoods especially pine timbers such as floorboards that have been in service for at least ten years. Should any structural timbers be attacked by Anobiid borers it is often difficult to determine what extent the borer damage has weakened such timbers and replacement is often the only way of ensuring safety from collapse.

In the case of Anobiid borers, once an attack is initiated it is unlikely to cease or die out of its own accord without some sort of eradication treatment. Therefore, unless proof of treatment is provided, evidence of an attack must always be considered active. Although a chemical treatment is an option, replacement of infested timbers with non-susceptible, or treated timber, is the most effective method of treatment. Before any option is considered, competent advice (e.g., from a licensed building contractor) should be sought to determine the extent of any structural damage, and as to the need or otherwise for rectification or repair work.

**Other Borers:** A further (more invasive) investigation is strongly recommended to determine whether infestation is still active and to positively identify the borer species responsible for the attack. Always seek further advice from the Consultant.

**Management Program:** Wherever practical, remove any conditions conducive to attack (e.g., *Anobium* borer thrive in badly ventilated subfloor areas). Regular inspections are recommended at intervals not exceeding 12 months. Always seek further advice from the Consultant.

## 4.0 DECAY FUNGI

---

### 4.1 No evidence of damage caused by wood decay (rot) fungi was found.

**NB.** If any evidence of fungal decay or damage is reported, you should consult a building expert to determine the full extent of damage, and the estimated cost of repairs or timber.

**General Description of Attack** Decaying wood contains sufficient moisture to retain its original shape and may have sufficient strength to withstand normal loads. In contrast decayed wood is reduced both in moisture content and size as indicated by cracking either along or across the grain or fibres coming apart in a stringy manner. Decayed wood will have undergone considerable strength reduction.

**Economic Significance** Fungal decay can cause at one extreme, structural failure of the affected timber, and at the other purely superficial surface damage. The most critical determination is that of which timber is affected and decaying because decay will most likely spread (unless sources of moisture are quickly removed). Affected and decayed timber may warrant timber replacement, but the rot should not spread unless a new moisture source becomes available in that area.

Where evidence of decayed timber exists, competent advice (e.g., from a licensed or registered building contractor) should be sought to determine the extent of any structural damage, and as to the need or otherwise for rectification or repair work. It is important to correct any condition conducive to attack prior to replacing decayed wood.

Where evidence of decaying timber exists, competent advice (e.g., from a licensed or registered building contractor) should be sought to remove the condition(s) conducive to attack, and to determine the extent of any structural damage, and as to the need or otherwise for rectification or repair work.

Where the full extent of damage or the overall condition of the timber is undetermined a further inspection is strongly recommended by a competent person (e.g., from a licensed or registered building contractor). This may require monitoring of the timber over a period and include the assessment of conditions conducive to attack in different weather conditions (e.g., to determine the adequacy of existing drainage).

**Management Program** Remove any conditions conducive to attack (e.g., lack of ventilation or the presence of excessive moisture). Regular inspections are recommended at intervals not exceeding 12 months. Always seek further advice from the Consultant.

## 5.0 CONDITIONS THAT ARE CONDUCTIVE TO TIMBER PESTS

---

### 5.1 Water leaks: At the time of the inspection no leaks were found to be present.

Water leaks, especially in or into the subfloor, or against the external walls; increase the likelihood of termite attack. Leaking showers or leaks from other 'wet areas' also increase the likelihood of concealed termite attack. Hot water overflows should be plumbed away from the building.

**NB.** We claim no expertise in building, and if any leaks were reported, you should consult a plumber or other building expert to determine the full extent of damage, and the estimated cost of repairs.

### 5.2 Moisture/drainage: Not applicable as the home is built on a concrete slab.

Lack of Adequate Subfloor Ventilation Inadequate ventilation provides a condition suitable for timber pest infestation. For example, subterranean termites thrive in damp humid conditions typical of those provided in a poorly ventilated subfloor space. Where evidence of a lack of adequate ventilation has been identified in the report, the Client should seek competent advice (e.g., from a licensed or registered building contractor) regarding upgrading ventilation. The Presence of Excessive Moisture Ground levels around the building should be maintained in such a way to minimise water entering under the building. Also, the ground surface in subfloor areas should be kept graded to ensure that moisture does not pond or accumulate in any area. Where necessary, sub-surface drains should be installed and maintained to assist with drainage around and under the building. Likewise, the presence of excessive moisture can often be directly related to ventilation limitations and the resultant high humidity. Also, plumbing oversights and defects such as a leaking drain or tap will provide a microclimate conducive to timber pest attack. Where necessary, the Client should seek competent advice (e.g., from a licensed or registered plumbing contractor) to determine the adequacy of existing drainage and remove any conditions conducive to the presence of excessive moisture. The building may need to be monitored over a period of time to detect or confirm a damp problem. The presence of dampness (including moisture) is not always consistent as the prevailing and recent weather conditions at the time an inspection is carried out may affect the detection of damp problems. Importantly, precipitation at or near the time of inspection does not necessarily guarantee that a damp problem will automatically be evident due to such circumstances as prevailing wind conditions or intensity of rainfall. The absence of any dampness at the time of inspection does not necessarily mean the building will not experience some damp problems in other weather conditions. Likewise, whether services have been used for some time prior to an inspection being carried out will affect the detection of dampness.

### 5.3 Ventilation: Not applicable as the home is built on a concrete slab.

Lack of Adequate Subfloor Ventilation Inadequate ventilation provides a condition suitable for timber pest infestation. For example, subterranean termites thrive in damp humid conditions typical of those provided in a poorly ventilated subfloor space. Where evidence of a lack of adequate ventilation has been identified in the report, the Client should seek competent advice (e.g., from a licensed or registered building contractor) in regard to upgrading ventilation.

### 5.4 Hot water services and air conditioning units: There is no need for this work to be carried out.

Hot water services and air conditioning units which release water alongside or near to building walls should be piped to a drain (if not possible then several metres away from the building), as the resulting wet area is highly conducive to termites.

### 5.5 Slab edge exposure: The slab edge inspection zone does not apply to this property.

Where external concrete slab edges are not exposed, there is a high risk of concealed termite entry.

In some buildings built since July 1995, the edge of the slab forms part of the termite shield system. In these buildings an Inspection zone of at least 75mm should be maintained to permit detection of termite entry. The edge should not be concealed by render, tiles, cladding, flashings, adjoining structures, paving, soil, turf, or landscaping etc. Where this is the case, you should arrange to have the slab edge exposed for Inspection.

Concealed termite entry may already be taking place but could not be detected at the time of the Inspection. This may have resulted in concealed timber damage.

**NB.** A very high proportion of termite attacks are over the slab edge. Covering the slab edge makes concealed entry easy. This is particularly true of infill type slab construction. Termite activity and/or damage may be present in concealed timbers of the building. We strongly recommend frequent regular inspections in accordance with AS 3660.2.

**5.6 Weep holes in external walls: Weep holes were clear allowing the free flow of air.**

It is very important that soil, lawn, concrete paths, or pavers do not cover the weep holes. Sometimes, they have been covered during the rendering of the brick work. They should be clean and free flowing and covering the weep holes in part or in whole may allow undetected termite entry.

**5.7 Termite shields: Not applicable as the home is built on a concrete slab.**

Termite Shields (Ant Caps) should be in good order and condition, so termite workings are exposed and visible. This helps prevent termites from gaining undetected entry. Joins in the shielding should have been soldered during the installation. If it is observed that the joins in the shielding have not been soldered, then the shielding must be reported as inadequate. It may be possible for a builder to repair the shielding. If not, a chemical treated zone may need to be installed to deter termites from gaining concealed access to the building. Missing, damaged or poor shields increase the risk of termite infestation. If considered inadequate, a builder or other building expert should be consulted.

Other physical shield systems are not visible to inspection and no comment is made on such systems.

**5.8 Bridging or breaching of termite barriers and inspection zones: No bridging or breaching was found.**

“Bridging” is the spanning of a termite barrier or inspection zone so that subterranean termites are provided with passage over or around that barrier. “Breaching” is the making of a hole or gap in a termite barrier so that termites are provided with a passage through that barrier.

**5.9 Other area(s) and/or situations that appear conducive to (may attract) subterranean termite infestation: Medium to large trees and stumps within a 50 metre radius of the property, due to the nesting conditions.**

## 6.0 OVERALL ASSESSMENT OF THE PROPERTY

---

**6.1** Where evidence of live termites, termite damage or termite workings (mudding) was found in the building(s) then the risk of a further attack is extremely high.

Where evidence of live termites, termite damage or termite workings was found in the grounds but not in the building(s) then the risk to buildings must be reported as high to extremely high.

**6.2** At the time of the Inspection, the degree of risk of subterranean termite infestation to the overall property was considered to be **Moderate**.

**6.3 Subterranean Termite Treatment Recommendation:** A management program in accordance with AS 3660-2000 to protect against subterranean termites is considered **not essential, but 6 to 12 monthly inspections are essential**.

**6.4 Future Inspections:** AS 3660.0-2000 recommends “regular competent Inspections should be carried out at least on an annual basis, but more frequent Inspections are strongly recommended”.

It goes on to inform that “regular Inspections will not prevent termite attack but may help in the detection of termite activity. Early detection will allow remedial treatment to be commenced sooner, and damage to be minimized”.

Due to the degree of risk of subterranean termite infestation noted above and all other findings of this Report; we strongly recommend that a full Inspection and written Report in accordance with AS 4349.3 or AS 3660.2-2000 is conducted at this property every 6 months, but no more than 12 months.

## DEFINITIONS

---

**Timber Pest Attack:** Means Timber Pest Activity and/or Timber Pest Damage.

**Timber Pest Activity:** Means telltale signs associated with 'active' (live) and/or 'inactive' (absence of live) Timber Pests at the time of inspection.

**Timber Pest Damage:** Means noticeable impairments to the integrity of timber and other susceptible materials resulting from attack by Timber Pests.

**Major Safety Hazard:** Means any item that may constitute an immediate or imminent risk to life, health or property resulting directly from Timber Pest Attack. Occupational, health and safety or any other consequence of these hazards has not been assessed.

**Conditions Conducive to Timber Pest Attack:** Means noticeable building deficiencies or environmental factors that may contribute to the presence of Timber Pests.

**Readily Accessible Areas:** Means areas which can be easily and safely inspected without injury to person or property, are up to 3.6 metres above ground or floor levels, in roof spaces where the minimum area of accessibility is not less than 600 mm high by 600 mm wide and subfloor spaces where the minimum area of accessibility is not less than 400 mm high by 600 mm wide, providing the spaces or areas permit entry. The term 'readily accessible' also includes accessible subfloor areas on a sloping site where the minimum clearance is not less than 150 mm high, provided that the area is not more than 2 metres from a point with conforming clearance (i.e., 400 mm high by 600 mm wide); and areas at the eaves of accessible roof spaces that are within the consultant's unobstructed line of sight and within arm's length from a point with conforming clearance (i.e. 600 mm high by 600 mm wide).

**Client:** Means the person or persons for whom the Timber Pest Detection Report was carried out or their Principal (i.e., the person or persons for whom the report was being obtained).

**Timber Pest Detection Consultant:** Means a person who meets the minimum skills requirement set out in the current Australian Standard AS 4349.3 Inspections of Buildings. Part 3: Timber Pest Inspection Reports or state/territory legislation requirements beyond this Standard, where applicable.

**Building and Site:** Means the main building (or main buildings in the case of a building complex) and all timber structures (such as outbuildings, landscaping, retaining walls, fences, bridges, trees, and stumps with a diameter greater than 100 mm and timber embedded in soil) and the land within the property boundaries up to a distance of 50 metres from the main building(s).

**Timber Pests:** Means one or more of the following woods destroying agents which attack timber in service and affect its structural properties:

**Chemical Delignification:** The breakdown of timber through chemical action.

**Fungal Decay:** The microbiological degradation of timber caused by soft rot fungi and decay fungi, but does not include Mould, which is a type of fungus that does not structurally damage wood.

**Wood Borers:** Wood destroying insects belonging to the order 'Coleoptera' which commonly attack seasoned timber.

**Termites:** Wood destroying insects belonging to the order 'Isoptera' which commonly attack seasoned timber.

**Tests:** Means additional attention to the visual examination was given to those accessible areas which the consultant's experience has shown to be particularly susceptible to attack by Timber Pests. Instrument testing of those areas and other visible accessible timbers/materials/areas showing evidence of attack was performed.

**Instrument Testing:** Means where appropriate the carrying out of Tests using the following techniques and instruments:

- (a) Electronic moisture detecting meter - an instrument used for assessing the moisture content of building elements.
- (b) Stethoscope - an instrument used to hear sounds made by termites within building elements.
- (c) Probing - a technique where timber and other materials/areas are penetrated with a sharp instrument (e.g., bradawl or pocket knife), but does not include probing of decorative timbers or finishes, or the drilling of timber and trees; and
- (d) Sounding - a technique where timber is tapped with a solid object.

## IMPORTANT MAINTENANCE ADVICE REGARDING INTEGRATED PEST MANAGEMENT FOR PROTECTING AGAINST TIMBER PESTS

---

You should read and understand the following important information. It will help explain what is involved in a Timber Pest Inspection, the difficulties faced by a Timber Pest Inspector, and why it is not possible to guarantee that a property is free of Timber Pests. It also details important information about what you can do to help protect your property from Timber Pests. This information forms an integral part of the Report. Any structure can be attacked by Timber Pests. Periodic maintenance should include measures to minimise possibilities of infestation in and around a property. Factors which may lead to infestation from Timber Pests include situations where the edge of the concrete slab is covered by soil or garden debris, filled areas, areas with less than 400mm clearance, foam insulation at foundations, earth/wood contact, damp areas, leaking pipes, etc.; form-work timbers, scrap timber, tree stumps, mulch, tree branches touching the structure, wood rot, etc. Gardens, pathways, or turf abutting or concealing the edge of a concrete slab will allow for concealed entry by timber pests any timber in contact with soil such as form-work, scrap timbers or stumps must be removed from under and around the buildings and any leaks repaired. You should endeavor to ensure such conditions DO NOT occur around your property. We further advise that you engage a professional pest control firm to provide a termite management program in accord with AS 3660 to minimise the risk of termite attack. There is no way of preventing termite attack. Even AS 3660 advises that "the provision of a complete termite barrier will impede and discourage termite entry into a building. It cannot prevent termite attack. Termites can still bridge or breach barriers, but they can be detected more readily during routine inspections."

### **Reasonable access:**

Unless specified in writing, the inspection only covered the Readily Accessible Areas of the Building and Site.

The inspection did not include areas which were inaccessible, not readily accessible or obstructed at the time of inspection. Areas which are not normally accessible were not inspected and include - but not limited to – inside walls, the interior of a flat roof or beneath a suspended floor filled with earth.

Building Interior, the Consultant did not move or remove any ceilings, wall coverings, flooring, floor coverings (including carpeting), furnishing, equipment, appliances, pictures, or other household goods. In an occupied property, furnishings or household items may be concealing evidence of timber pest attack which may only be revealed when the items are moved or removed.

Building Exterior, Roof Exterior and Site, the Consultant did not move or remove any obstructions such as wall cladding, awnings, trellis, earth, plants, bushes, foliage, stored materials, debris, or rubbish. Due to the 'secretive' nature of timber pests, it is possible that hidden damage may exist in concealed areas, e.g., wall framing. Damage may only be found when the obstruction is removed. In the case of buildings constructed on concrete slabs, if the edge of the slab or any weep hole or vent at the base of external walls is concealed by pavements, gardens, lawns, or landscaping then it is possible for termites to gain undetected entry into the building. The building of gardens or planting of shrubs close to the perimeter of the building can promote and conceal termite entry points. The storage of cellulose materials such as building materials and firewood near the ground or building may encourage termite activity.

Roof Space Obstructions such as roofing, stored articles, thermal insulation, sarking, and pipe/duct work may be concealing evidence of timber pest attack which may only be revealed when the obstructions are moved or removed. Also, bodily access should be provided to the interior of all accessible roof spaces. In accordance with Australian Standard ASS 4349 the minimum requirement is a 400mm by 500 mm access manhole.

Subfloor Space Subfloor areas should be kept free from all vegetation (including tree stumps) and other cellulose material which may encourage timber pest activity. Also, storage of materials in subfloor areas is not recommended as it reduces ventilation and makes inspection difficult. Obstructions may be concealing evidence of timber pest attack which may only be revealed when the obstructions are moved or removed. Bodily access should be provided to all accessible subfloor areas with the minimum requirement being a 500 mm x 400 mm access manhole. In the case of suspended floors, if the clearance between the ground and structural components is less than 400 mm, then the ground should be excavated to provide the required clearance, subject to maintaining adequate drainage and support to footings. If the subfloor has been sprayed for subterranean termites or if the area is susceptible to mould growth, appropriate health precautions must be followed before entering the area. Also, special care should be taken not to disturb the treated soil. Always seek further advice from the Consultant.

A further inspection is strongly recommended of those areas that were not readily accessible and of inaccessible or obstructed areas once access has been provided or the obstruction removed. This will involve a separate visit to the site, permission from the owner of the property and additional cost.

Unless stated otherwise, any recommendation or advice given in this Report should be implemented as a matter of urgency.

**A more invasive physical inspection is available and recommended:**

As detailed above, there are many limitations to this visual inspection only. With the permission of the owner of the premises we WILL perform a more invasive physical inspection that involves moving or lifting insulation, stored items, furniture, or foliage during the inspection. We WILL physically touch, tap, test and when necessary, force/gouge suspected accessible timbers. We WILL gain access to areas, where physically possible and considered practical and necessary, by way of cutting traps and access holes.

This style of Report is available by ordering with several days' notice. Inspection time for this style of Report will be greater than for a VISUAL INSPECTION.

It involves disruption in the case of an occupied property, and some permanent marking is likely. You must arrange for the written permission of the owner who must acknowledge all the above information and confirm that our firm will not be held liable for any damage caused to the property.

A price is available on request.

**Concrete slab homes:**

Homes constructed on concrete slabs pose special problems with respect to termite attack. If the edge of the slab is concealed by concrete paths, patios, pavers, garden beds, lawns, foliage, etc. then it is possible for termites to affect concealed entry into the property, and they can then cause extensive damage to concealed framing timbers. Even the most experienced Inspector may be unable to detect their presence due to concealment by wall linings. Only when the termites attack timbers in the roof void, which may in turn be concealed by insulation, can their presence be detected. Where termite damage is in the roof, it should be expected that concealed framing timbers will be extensively damaged. With a concrete slab home, it is imperative that you expose the edge of the slab and ensure that foliage and garden beds do not cover the slab edge. Weep holes must be kept free of obstructions.

It is strongly recommended that you have a Termite Inspection in accordance with AS 3660.2 carried out every 6 to 12 months.

**Subterranean termites:**

No property is safe from termites. General Description of Attack Timber hollowed beneath; some cracking at the surface of timber; earthen channels present; or pale faecal spots present.

**Important note:**

As a delay may exist between the time of an attack and the appearance of telltale signs associated with the attack, it is possible that termite activity and damage exists though not discernible at the time of inspection.

Treatment After discovery of an active infestation, it is imperative that the species of termite is accurately identified before costly (and sometimes unnecessary or inappropriate) methods of treatment are initiated. Only economically important species which are known to attack timber structures should be treated.

In the case of economically important species, it is important that the termite workings are not further disturbed until the proposed method of control has been determined by a licensed pest control operator. Premature attempts to repair or replace infested timber may cause the termites to withdraw from the area temporarily, thereby hindering effective treatment. Any repair or replacement of infested timber should be carried out after the appropriate treatment has been completed.

Where evidence of active termites is detected within a building or within 50 metres of any building, it must always be assumed that the termites may also be active in areas of the property not inspected. Accordingly, where the termites are known to be of economic significance, a further (more invasive) inspection is strongly recommended of areas which were inaccessible, not readily accessible or obstructed at the time of inspection.

Termite Workings and Damage Where evidence of damage to building timbers exists, competent advice (e.g. from a licensed or registered building contractor) should be obtained to determine the extent of any structural damage and as to the need or otherwise for rectification or repair work.

Where evidence of inactive termites is located within the building, it is possible that termites are still active in areas of the property not inspected and they may continue to cause damage. A furthermore invasive inspection is strongly recommended of areas which were inaccessible, not readily accessible or obstructed at the time of inspection.

Where evidence of an inactive termite infestation exists, it is not possible, without benefit of further investigation and inspections over a period, to ascertain whether any infestation is active or inactive. Continued, regular, inspections are essential.

Where evidence of termite attack exists to any trees or tree stumps a more conclusive search should be undertaken. This may require the tree or stump to be drilled to determine the existence of a termite nest. In addition, the soundness and stability of any standing trees identified as being affected by termite attack should be confirmed. Always seek further advice from the Consultant.

**Previous Treatments** Where evidence of a possible termite treatment was located, the Client should obtain and keep on file all relevant documents pertaining to the extent of the treatment, any service warranties and advice in regard to the building owner's obligation to maintain the treatment and/or barrier. If evidence of a previous treatment of termite infestation is noted, and appropriate documentation is not available, the Client must assume that the termite infestation may still be active in areas of the property not inspected. Accordingly, a re-treatment may be required. Always seek further advice from the Consultant.

**Frequency of Future Inspections** Australian Standard AS 3660 recognises that regular inspections will not prevent termite attack but may help in the detection of termite activity. Early detection will allow remedial treatment to be commenced sooner and damage to be minimised.

Inspections at intervals not exceeding twelve (12) months are recommended. Where the termite risk is high or the building type susceptible to termite attack, more frequent inspections (3-6 months) should be undertaken.

**Risk management options:**

To help protect against financial loss, it is essential that the building owner immediately control or rectify any evidence of destructive timber pest activity or damage identified in this inspection report. The Client should further investigate any high-risk area where access was not gained. It is strongly advised that appropriate steps be taken to remove, rectify or monitor any evidence of conditions conducive to timber pest attack.

To help minimise the risk of any future loss, the Client should consider whether the following options to further protect their investment against timber pest infestation are appropriate for their circumstances:

Undertake thorough regular inspections at intervals not exceeding twelve months or more frequent inspections where the risk of timber pest attack is high, or the building type is susceptible to attack. To further reduce the risk of subterranean termite attacks, implement a management program in accordance with Australian Standard AS 3660. This may include the installation of a monitoring and/or baiting system, or chemical and/or physical barrier. However, AS 3660 stresses that subterranean termites can bridge, or breach barrier systems and inspection zones and that thorough regular inspection of the building are necessary.

**CONTACT THE INSPECTOR**

---

Please feel free to contact the Inspector who carried out this inspection. Often it is very difficult to fully explain situations, problems, access difficulties or timber pest activity and/or damage in a manner that is readily understandable by the reader. Should you have any difficulty in understanding anything contained within this Report, then you should immediately contact the Inspector and have the matter explained to you.

If you have any questions at all or require any clarification, then contact the Inspector prior to acting on this Report.

## NOTICE TO THE PURCHASER

---

**(a)** Prior to or on Exchange, and prior to the commencement of the 'Cooling-off Period', you were given an Inspection Report on the Property you intend on purchasing ("the Report"). The Purchaser is advised that this Report reflects the condition of the property existing at the time of the Inspection (Inspection Date) and may not reflect the current state. Timber Pests, particularly Termites, may have gained entry to the property since the Inspection Date. Termites can, in a relatively short period, cause significant damage to both structural and non-structural timbers within and around the buildings of the Property.

Termites (white ants) may be difficult to detect and much of the damage caused may not be readily visible. If damage exists, then it may cost thousands of dollars to repair.

It is, therefore, very strongly recommended that you urgently arrange for another Inspection and Report in accordance with AS4349.3 to be carried out prior to exchange, or prior to the expiration of any 'Cooling off Period', and prior to settlement.

**(b)** If the Report indicated the presence of Termites, termite damage or recommends any treatments or other Inspections and Reports, you should obtain copies of the treatment proposal, any certificates of treatments carried out, details of all repairs including copies of quotations, invoices, and any other Reports.

It is strongly recommended that you arrange for an Inspection and Report in accordance with AS 4349.3 to verify that the treatment has been successful and carried out in accordance with AS 3660.2 and a further building Inspection in accordance with AS 4349.1.

**(c)** If you fail to procure a further Inspection and report as recommended in (a) and (b), or fail to obtain copies of the treatment proposal, certificates of treatment carried out, details of all repairs including copies of quotations, invoices and any other reports as recommended in (b) above, then it will be deemed that you have decided not to have a further Inspection and report carried out, or to obtain copies of certificates of treatments carried out, details of all repairs including copies of quotations, invoices and any other reports.

It will be deemed that you have relied upon your own enquiries and the report, knowing the possible consequences and that the condition of the property, as stated in the report, may have changed.

**(d)** The person carrying out the Inspection and the company, partnership or sole trader that employs that person will have no liability to you for any damage or loss you may suffer as a result of your entering the contract to purchase the property or in connection with completing the purchase of the property as a result of your failure to heed the advice given in (a) and (b) and the warning contained in (c) above, and may use such failure in defense of any claim that you may later make against any of them.

# Compliance Report



## COMPLIANCE REPORT

---

This is a Compliance Report regarding any unapproved structures or alterations. ACT Property Inspections have accessed the attached Building File from ACT Planning and Land Authority (ACTPLA) and hold no responsibility for any inaccuracies in the Building File supplied by ACTPLA. The Compliance report is based solely upon the information available from the Building File which does not contain information regarding Plumbing or Electrical work that has taken place since the original construction. Information regarding the Plumbing and Electrical is available upon application from ACTPLA. Since we are not Plumbers or Electricians, we are unable to comment on those works. If structures have been noted as requiring approval, a Certifier should be engaged to assess if the structure will comply with the relevant ACT legislation. Owners must be aware that unapproved structures may not comply and may require significant repair, design change or possible removal.

---

**Property Address:** 30 Hodgson Crescent, Pearce ACT 2607  
**Unit, Block & Section:** Unit 1, Block 18 Section 10 PEARCE  
**Inspection Date:** Friday, March 6<sup>th</sup> 2026

---

## APPROVAL STATUS

---

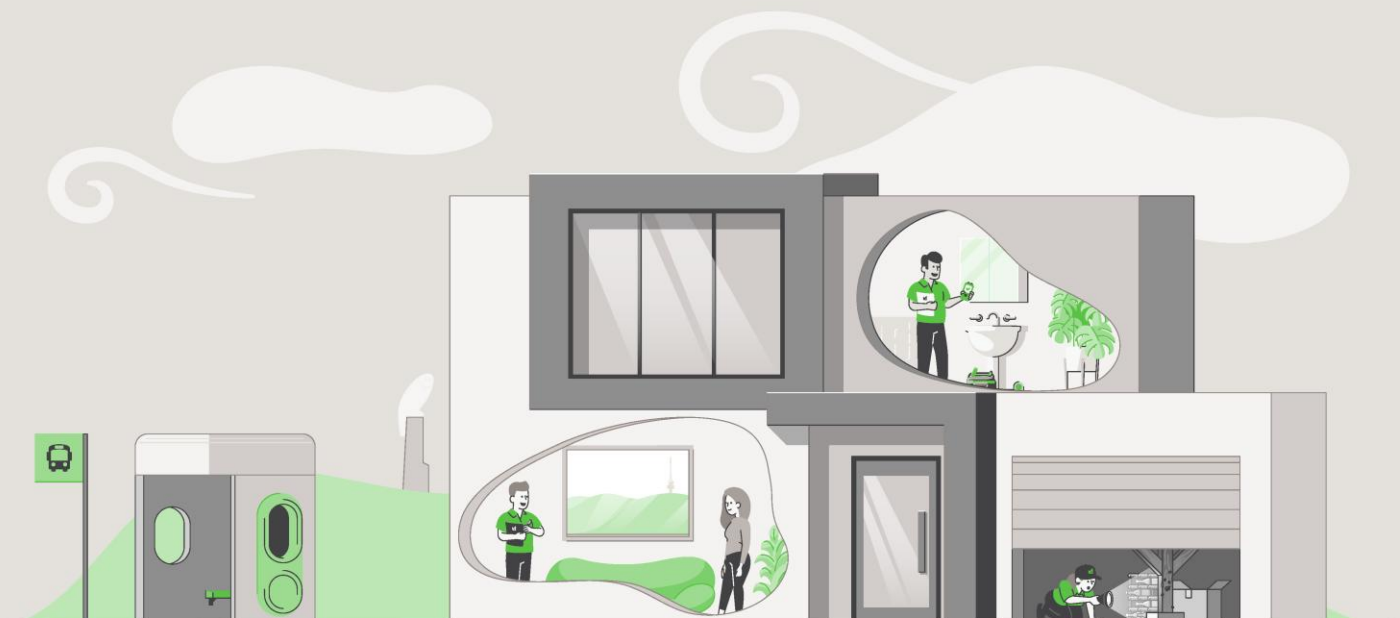
Description	Plan number	Certificate of occupancy date	Approval status
Demolition of Residence Asbestos Removal (Mr Fluffy)	B201726/A	31/05/2017	Approved.
New Dual Occupancy & Garages	B20203079/A/B/C	10/05/2021	Approved.
Carport	-	-	This structure is exempt from approval. No action is required.

## SURVEY REPORT

---

Survey Report completed by	Date Survey report was completed	Comments
M & M Surveys	Wednesday, 7 October 2020	There are no apparent encroachments upon this land or by this property on adjoining lands or street.

# Conveyancing File





## CONVEYANCING PART 2

No information is provided in respect of electrical, drainage or sewer matters and or to the location of overhead power lines or underground cables in relation to the building.

	<u>Yes</u>	<u>No</u>
1. (a) Is this a government or ex government house?	<input type="checkbox"/>	<input checked="" type="checkbox"/>
(b) If yes, is there a building file with approvals on it?	<input type="checkbox"/>	<input type="checkbox"/>
2. Is there any record of incomplete building work on the building file? If yes - file copies attached	<input type="checkbox"/>	<input checked="" type="checkbox"/>
3. Are there any records on the building file of current (within 5 years) housing Indemnity insurance policies for building work? If yes - file copies attached	<input type="checkbox"/>	<input checked="" type="checkbox"/>
4. Are there any records on the building file showing building applications still being processed? (Current within 3 years) If yes - file copies attached	<input type="checkbox"/>	<input checked="" type="checkbox"/>
5. Are there any records on the building file in relation to loose-fill asbestos insulation?	<input type="checkbox"/>	<input checked="" type="checkbox"/>

**If available, copies of the following documents are provided:**

• Certificate/s of Occupancy and Use	<input checked="" type="checkbox"/>	<input type="checkbox"/>
• Survey Certificates	<input checked="" type="checkbox"/>	<input type="checkbox"/>
• Unit Plan/Unit Entitlements (if property is unit titled)	<input type="checkbox"/>	<input checked="" type="checkbox"/>
• Approved Building Plans	<input checked="" type="checkbox"/>	<input type="checkbox"/>
• Ex- government Building Plans*	<input type="checkbox"/>	<input checked="" type="checkbox"/>

**If requested:**

• Drainage Plan(s)	<input checked="" type="checkbox"/>	<input type="checkbox"/>
--------------------	-------------------------------------	--------------------------

### ASBESTOS

The ACT Government is not able to guarantee the accuracy of the information in this report.

You should make your own enquiries and obtain reports (from a licensed Asbestos Assessor) in relation to the presence of loose fill asbestos insulation (and other forms of asbestos) on the premises. For more information go to the Asbestos Awareness Website –

[www.asbestos.act.gov.au](http://www.asbestos.act.gov.au)

**Please note:** Development Approval plans will not be included in this report (We do not receive Development Approval Plans unless they are part of a Building Approval in which case they become Building Approval Plans), if development approval was granted you can request copies of the Development Approval plans from [ACEPDcustomerservices@act.gov.au](mailto:ACEPDcustomerservices@act.gov.au).

**Please Note:** Building approvals that have been generated via eDevelopment will be issued with a project number prefixed by the letter B. Initial building approval documentation will be identified with project number B20XXXX only but will be referenced as B20XXXX/A on the Certificate of Occupancy and Use. Any amendments to the original approval will be issued with the project number and an alphanumeric digit. The first amendment will be identified as B20XXXX/B, the second amendment B20XXXX/C etc. Not all eDevelopment plans will be stamped with the plan number.

\*Ex Government plans: Plans are typical and not specific to each residence. There may be slight changes to the layout or window locations that were not required to be approved.

Search officer comments (if any?)

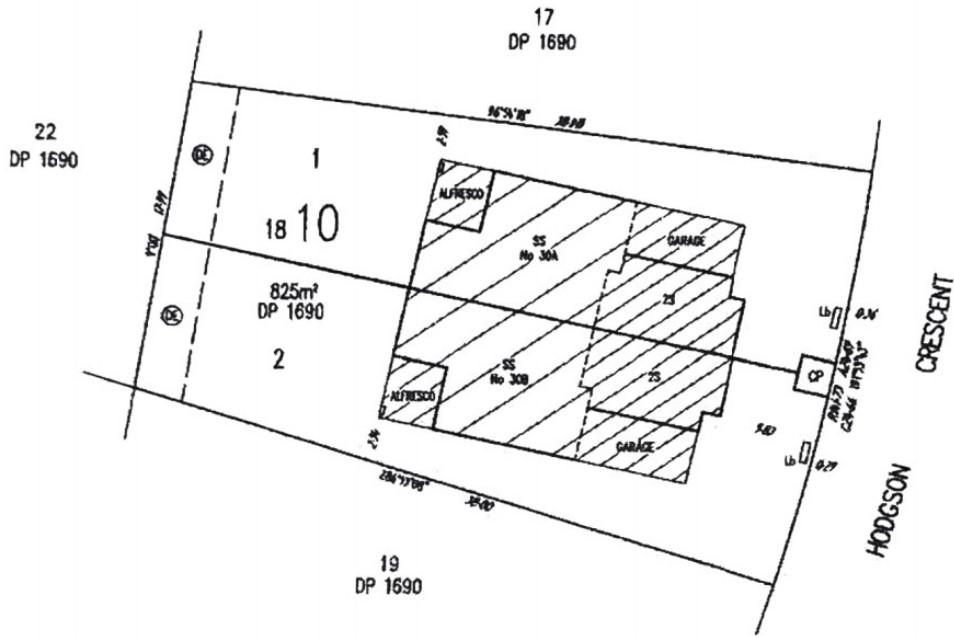
Search officer initials: Tony

Cost of application: \$ 144.79

Date completed:

06/03/2026

<b>LAND TITLES</b>	
ACCESS CANBERRA	
Chief Minister, Treasury and Economic Development Directorate	
Sheet No.	1 of 13
<b>SITE PLAN</b>	
LAND DETAILS	
Block	18
Section	10
Division	PEARCE
Deposited Plan Number	DP 1890
Volume/Folio	2334:25
Class of Units (A or B)	B
AMIT ARORA DIRECTOR	
SANJIV KUMAR PATIL	
ATUL PRAKASH MANGANI DIRECTOR	
DREAMTRADERS GROUP PTY LTD ACN 621 389 535 Operators of Units	



Lyn Tankey  
21 September 2021

Approved by the ACT Planning and Land Authority  
APPROVED UNDER THE SURVEY ACT 1981, AS THE USE IS PLAN FOR THE SUBDIVISION OF THE ABOVE DESCRIBED PARCEL OF LAND

David Pryce  
Registrar-General  
17/11/2021

UNITS PLAN No.  
**15235**

**SURVEYING DECLARATION**  
1. ROBERT RICHARDS of **H & M SURVEYS**  
1/66 GARDNER STREET, MITCHELL ACT 2911  
A surveyor registered under the Surveyors Act 1987, hereby certifies that:  
1. The survey represented by the diagrams on forms 1 and 2 of this plan are accurate and were completed on (insert date) 1 ABE 2021  
2. The survey is in accordance with the following Acts:  
• Land Titles Act 1987,  
• Land Titles (Plan Laying) Act 1978,  
• Land Titles Act 1979 and,  
• any other regulations made under those Acts  
and in accordance with the Surveyors Practice Directions

*Robert Richards*  
Signature of Registered Surveyor  
Page 3 of 75  
Dated

ORDER OUT EITHER OF THESE 3 OR 2(a) 2(b), WHICHEVER DOES NOT APPLY — 2(a) OR 2(b) APPLY IF AN ENCROACHMENT OCCURS OR IS A ROAD ON PUBLIC PLACE UNLESS THE ENCROACHMENT IS AN ATTACHMENT AS ORDERED BY THE SURVEY ACT 1981  
1. Each building (including anything attached to it) or building in the course of erection on the parcel is wholly within the parcel.  
OR  
2. The diagrams clearly delineate boundaries, nature and extent of any encroachment by a building (including anything attached to it), beyond the boundaries of the parcel and:  
(a) The diagrams clearly delineate the existence, nature and extent of any encroachment and, if so, the nature and extent of any registered or unregistered right of way or easement, or if so, the nature and extent of any registered or unregistered right of way or easement, or if so, the nature and extent of any registered or unregistered right of way or easement, or if so, the nature and extent of any registered or unregistered right of way or easement.

304 & 308 HODGSON CRESCENT,  
PEARCE, ACT 2907  
Address for Service of Notices

DREAM TRADERS GROUP P/L  
Name of Manager / Owners Corporation

Form 1  
Form 065 - SP  
Graphic bar scale - SCALE 1: 200

Note and Subordinate are subject to the provisions of Section 24 of the Land Titles Act 1981, where applicable



FLOOR PLAN

Block

18

Section

10

Division

PEARCE

FLOOR NUMBER

GROUND

AMIT ARORA  
DIRECTOR

SANJIV KUMAR  
PATHAK  
DIRECTOR

ATUL KUMAR  
MANNAN  
DIRECTOR

DREAMTRADERS  
GROUP PTY LTD  
ACN 621 389 535  
Signature of Lessee

Lyn Tankey  
Lyn Tankey

Delegation of the  
ACT Planning and Land Authority

APPROVED UNDER THE UNIT TITLES ACT 2001  
AS THE UNIT'S PLAN FOR THE SUBDIVISION  
OF THE ABOVE DEFINED PARCEL OF LAND

UNITS PLAN No.

15235

LEGEND

- SS DENOTES SINGLE STOREY BRICK RESIDENCE
- ZS DENOTES TWO STOREY BRICK & CLADDED RESIDENCE
- C DENOTES UNIT BOUNDARY IS CENTRELINE OF 0.36 THICK WALL
- CP DENOTES COMMON PROPERTY
- Lb DENOTES BRICK LETTERBOX
- (⊗) DENOTES DRAINAGE & ELECTRIC SUPPLY EASEMENT 2.44 WIDE

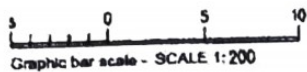
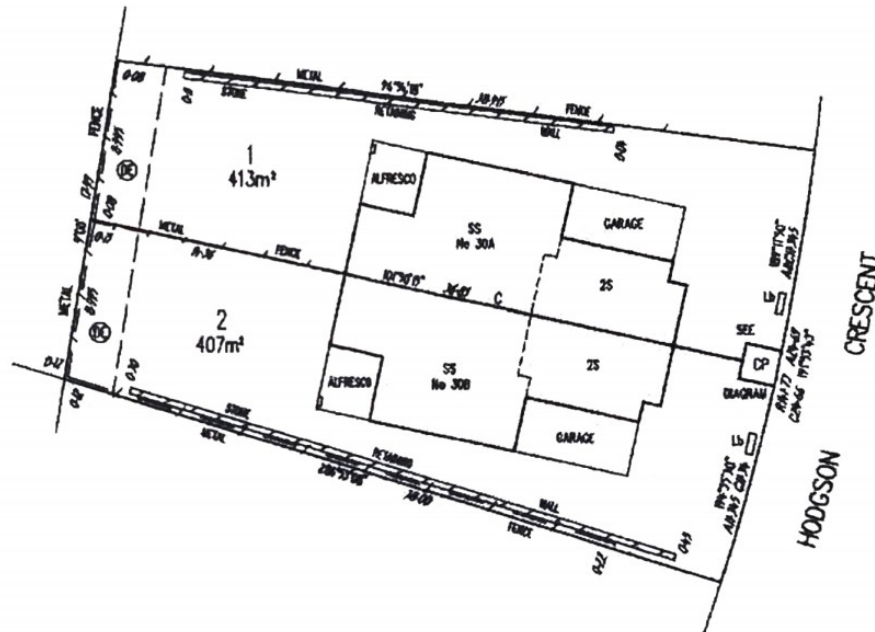
NOTES

UNITS AND SUBSIDIARIES ARE SUBJECT TO THE PROVISIONS OF SECTION 34 OF THE UNIT TITLES ACT 2001, WHERE APPLICABLE.

UNIT BOUNDARIES & AREAS HAVE BEEN DETERMINED WITH REFERENCE TO THE CENTRELINE OF THE COMMON WALL & THE PARCEL BOUNDARIES, UNLESS NOTED OTHERWISE.

AREAS ARE FOR THE PURPOSES OF UNITS PLAN ONLY, AND MUST NOT BE USED FOR ANY OTHER PURPOSE.

UNIT IDENTIFIER			
UNIT No	SHEET No	FLOOR	ADDRESS
1	1,3	GROUND	30A HODGSON CRESCENT
2	1,3	GROUND	30B HODGSON CRESCENT



Pulse Homes  
C/- info@pulsehomes.net.au

**Re: 30 Hodgson Crescent, Pearce**

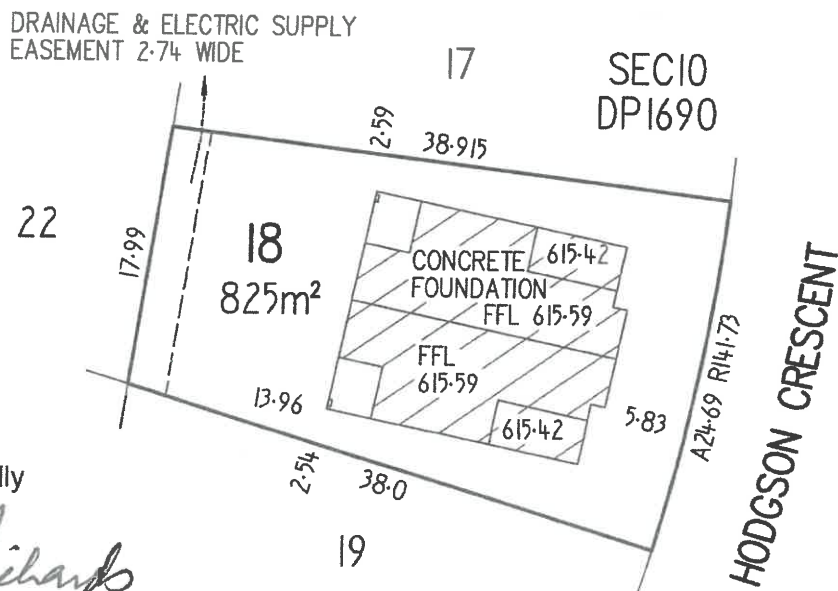
Dear Sir

As instructed, we have surveyed the land at Pearce, in the Division of Pearce, District of Woden Valley, having a curved frontage of 24.69 metres arc to Hodgson Crescent, being **Block 18 Section 10 Deposited Plan No. 1690** as shown in the sketch plan below.

Upon this land stands the concrete foundation of a building in the course of erection to be on completion two residences.

The sketch shows the position of the concrete foundation relative to the boundaries and levels of the concrete slab on Australian Height Datum (A.H.D). The land is subject to a Drainage and Electricity Supply Easement 2.74 metres wide.

Other than as stated above, there are no apparent encroachments upon this land or by this property on adjoining lands or street.



Yours faithfully



**Robert Richards**  
**Registered Surveyor**

cc. Surveyor General of the ACT

SCALE 1:500  
LENGTHS ARE IN METRES





# Certificate of Completion of Demolition

Certificate No.: **B201726C1**

**Access Canberra Building Services**

ABN 16 479 763 216  
8 Darling Street Mitchell  
GPO Box 158 ACT 2601  
www.act.gov.au/accesscbr

This Certificate is issued in accordance with Section 71 (2) of the Building Act 2004.

The demolition of the building works listed on this certificate has been completed in accordance with the prescribed requirements.

Unit	Block	Section	Division (Suburb)	District	Jurisdiction
	18	10	PEARCE	WODEN VALLEY	Australian Capital Territory

## Plans

B201726/A

## Building Works

Class of Occupancy	Nature of Work	Project Item Description	Other Description	Type Of Const.	Unit	BCN ID	Builder
1a(l)	Other	DA EXEMPT-SEE DESCRIPTION	Asbestos Removal - Caylamax Demolitions	NA		B201726N1	ASBESTOS REMOVALIST (LOOSE FILL - MR FLUFFY)
1a(l)	Demolition	DA EXEMPT-RESIDENCE	Mr Fluffy	NA		B201726N2	CAYLAMAX DEMOLITIONS PTY LTD

## Comments

## Important Note:

The issue, under this Part, of a certificate in respect of a building or portion of a building does not affect the liability of a person to comply with the provisions of a law of the territory (including this Act) relating to the building or portion of the building.

**Issued by:** Jolene Petterson

**Issued on:** 31/05/2017

Delegate of the ACT Construction  
Occupations Registrar.



**ACT**  
Government

**Asbestos Response  
Taskforce**

Our ref: A13698205

## **AFFECTED RESIDENTIAL PREMISES REGISTER**

### **DEREGISTRATION STATEMENT**

*S47N Dangerous Substances Act 2004*

*I, Andrew Kefford, delegate of the Minister for Workplace Safety and Industrial Relations, am satisfied that the premises at 30 Hodgson Crescent DIVISION PEARCE SECTION 10 BLOCK 18, have been demolished and the parcel of land has been remediated. In accordance with section 47 N(3) I authorise removal of these residential premises from the Affected Residential Premises Register.*

Andrew Kefford PSM  
Head - Asbestos Response Taskforce

Date: 21/6 / 2017



# Asbestos Response Taskforce

05 Jan 2017

Licence No: 200426203

Street num: 30 Street name: Hodgson Crescent Suburb: Pearce  
Block: 18 Section: 10

## PLAN





Street num: 30 Street name: Hodgson Crescent Suburb: Pearce  
Block: 18 Section: 10

**KEY**

	Note reference number		Tree identified for removal
	Gas meter		Overhead powerlines
	Power meter		Storm Water manhole
	Water meter		SV Fire Hydrant
	Exclusion zone		PME (Telstra) PIT
	Solar (PV) Power Meter		Street Light Pole
	Electricity Power Pole		HP Gas Box
	Slope of Land		

**NOTE REFERENCE NUMBERS:**

1. Remove driveway/hardstand
2. Tree identified for removal by contractor
3. Tree identified for removal by contractor

**SITE PHOTOS**

<b>1</b>	Remove driveway/ hardstand	
----------	-------------------------------	--



# Certificate of Occupancy and Use

Certificate No.: **B20203079C1**

**Access Canberra Building Services**

ABN 16 479 763 216  
8 Darling Street Mitchell  
GPO Box 158 ACT 2601  
[www.act.gov.au/accesscbr](http://www.act.gov.au/accesscbr)

This Certificate is issued in accordance with Section 69 (2) of the Building Act 2004.

The building work listed on this certificate has been completed substantially in accordance with the prescribed requirements and is considered fit for occupation and use.

Unit	Block	Section	Division (Suburb)	District	Jurisdiction
	18	10	PEARCE	WODEN VALLEY	Australian Capital Territory

Plans
B20203079/A
B20203079/B
B20203079/C

## Building Works

Class of Occupancy	Nature of Work	Project Item Description	Other Description	Type Of Const.	Unit	BCN ID	Builder
1a(II)	New	DUAL OCCUPANCY		NA		B20203079N1	GROVELAND DEVELOPMENTS GROUP PTY LTD
10a	New	GARAGE	Garages	NA		B20203079N1	GROVELAND DEVELOPMENTS GROUP PTY LTD

## Comments

## Important Note:

The issue, under this Part, of a certificate in respect of a building or portion of a building does not affect the liability of a person to comply with the provisions of a law of the territory (including this Act) relating to the building or portion of the building.

**Issued by:** Chelsea Rogic

**Issued on:** 10/05/2021

Delegate of the ACT Construction  
Occupations Registrar.



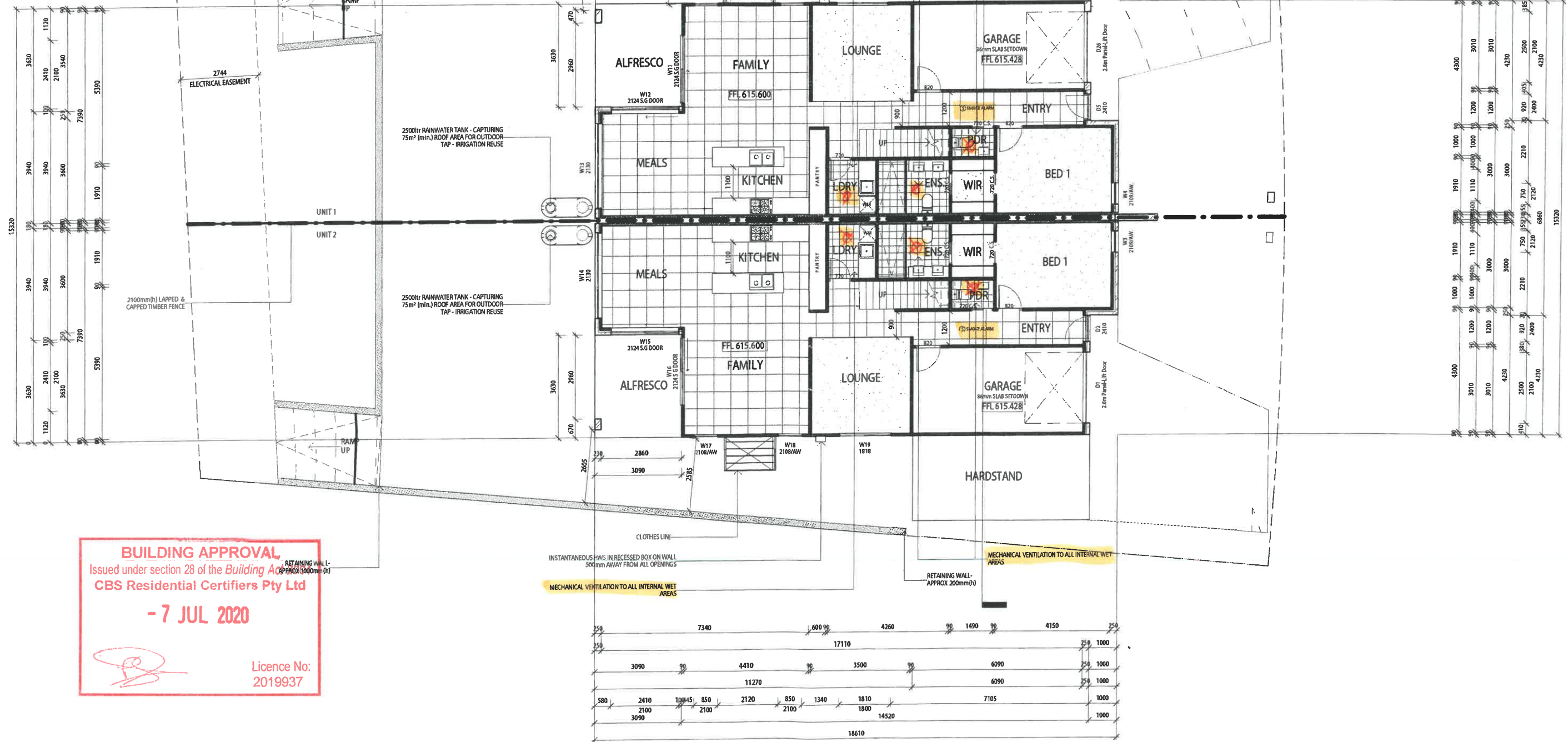
PLANNING AND DEVELOPMENT ACT 2007  
**APPROVAL GRANTED**  
 PURSUANT TO SECTION 165

Delegate name HAYDEN PINI

Date 15/3/2019

STAIRSLIP RESISTANCE:  
 MIN P3/R10 INTERNAL  
 P4/R11 EXTERNAL

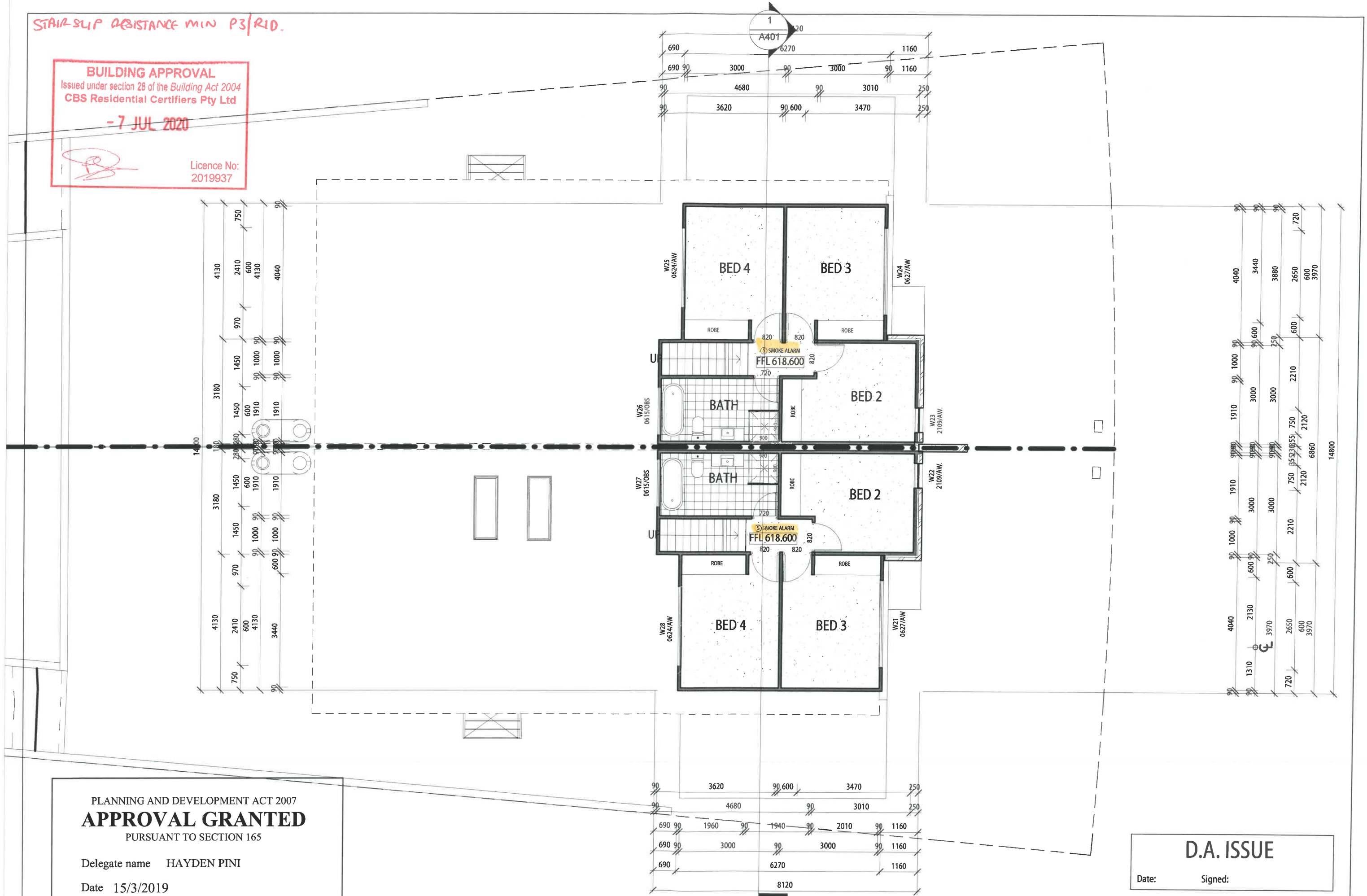
MECH VENT



**BUILDING APPROVAL**  
 Issued under section 28 of the Building Act 2004  
 CBS Residential Certifiers Pty Ltd  
 - 7 JUL 2020  
 Licence No: 2019937

STAIR SLIP RESISTANCE MIN P3/R10.

**BUILDING APPROVAL**  
 Issued under section 28 of the Building Act 2004  
 CBS Residential Certifiers Pty Ltd  
 - 7 JUL 2020  
 Licence No:  
 2019937



PLANNING AND DEVELOPMENT ACT 2007  
**APPROVAL GRANTED**  
 PURSUANT TO SECTION 165

Delegate name HAYDEN PINI  
 Date 15/3/2019

**D.A. ISSUE**  
 Date: \_\_\_\_\_ Signed: \_\_\_\_\_

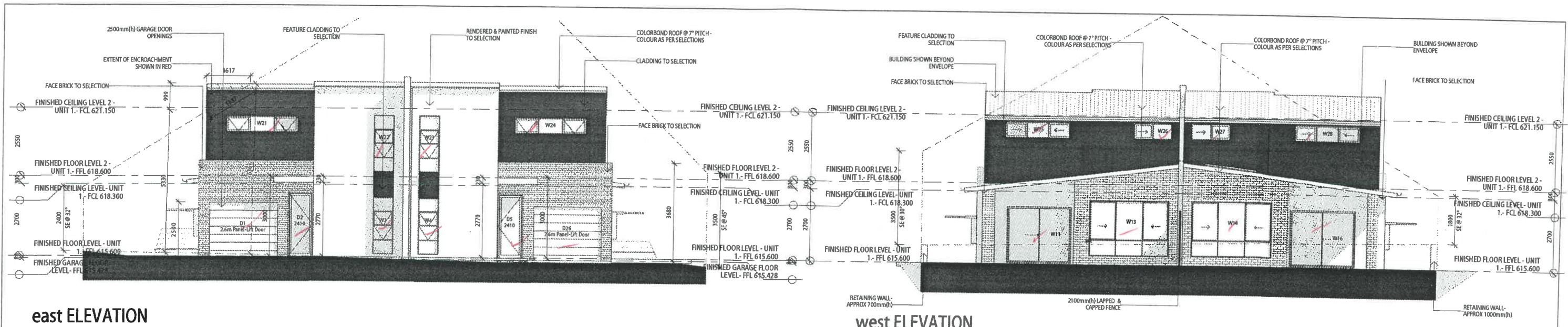
Amendment



Overall Upper Floor Plan  
 Page 50 of 75

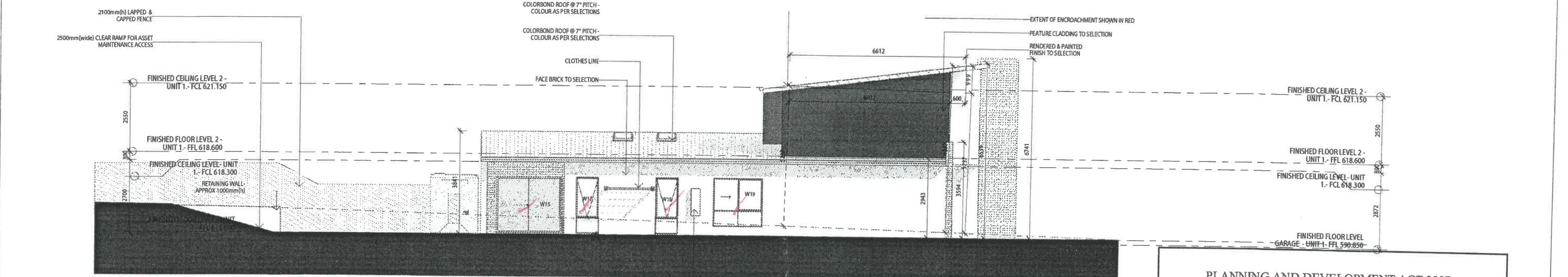
Drawing Title	Block	Section	Suburb	Scale	Job no.	Drawing Number	Revision
18	10	Pearce	1:100	1412	A205	E	
Client	Kostas Livas			Date	Drawn	PI	
				22.2.18			





east ELEVATION

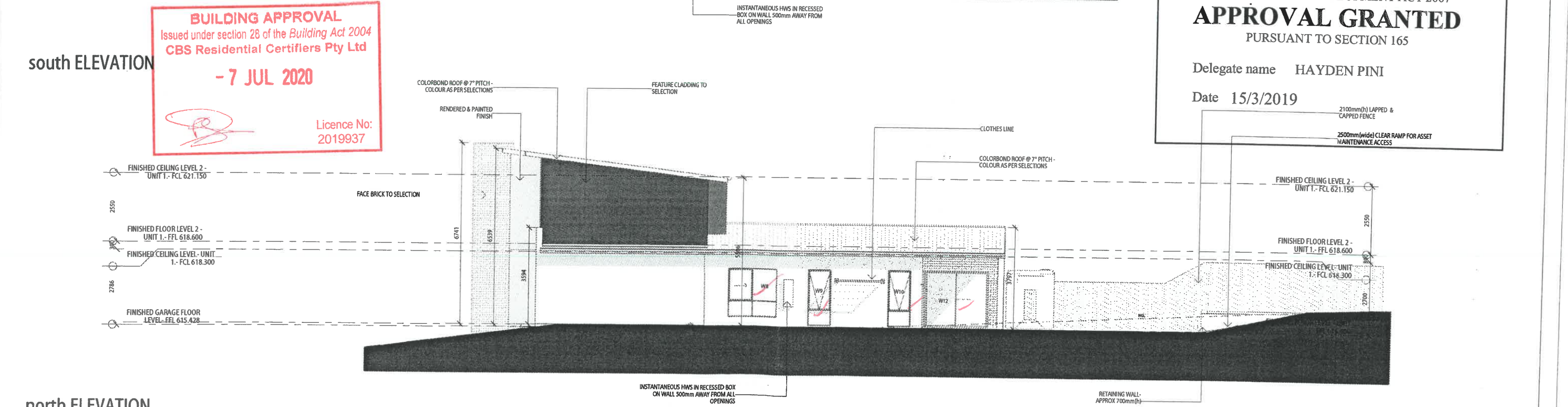
west ELEVATION



south ELEVATION

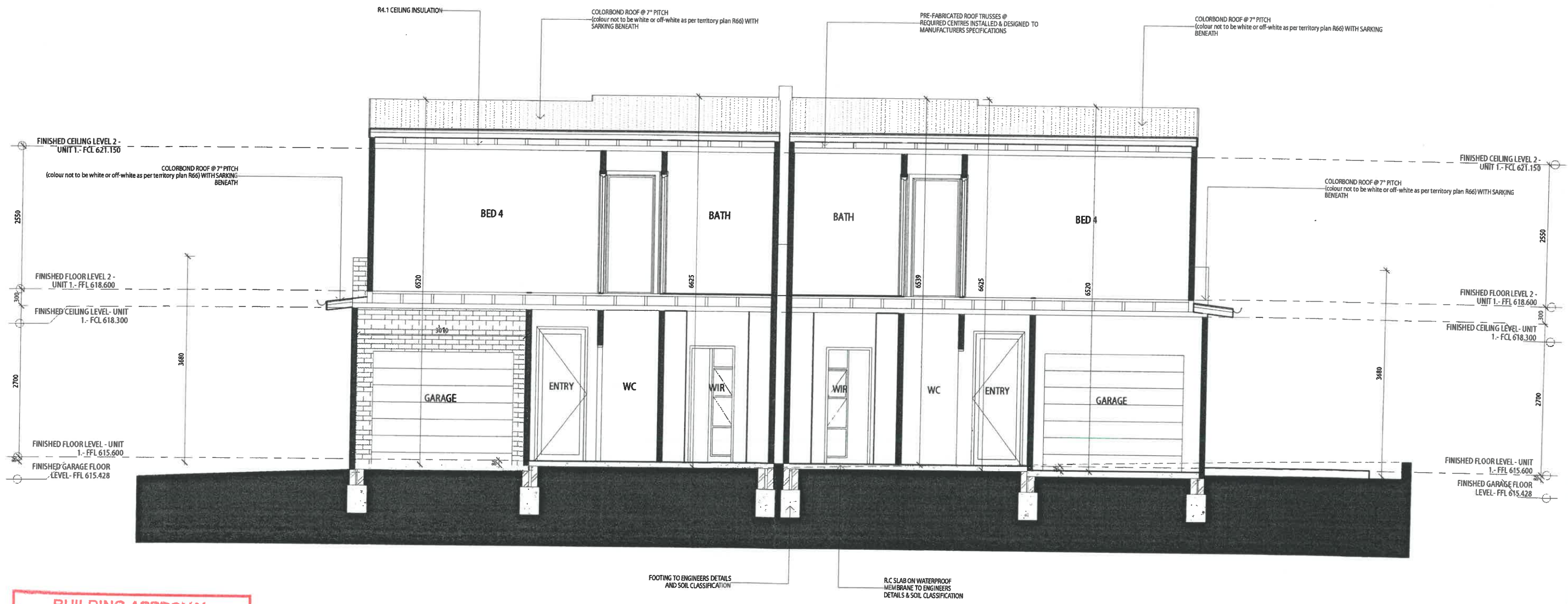
**BUILDING APPROVAL**  
 Issued under section 28 of the Building Act 2004  
**CBS Residential Certifiers Pty Ltd**  
**- 7 JUL 2020**  
 Licence No:  
 2019937

PLANNING AND DEVELOPMENT ACT 2007  
**APPROVAL GRANTED**  
 PURSUANT TO SECTION 165  
 Delegate name HAYDEN PINI  
 Date 15/3/2019



north ELEVATION

PLANNING AND DEVELOPMENT ACT 2007  
**APPROVAL GRANTED**  
 PURSUANT TO SECTION 165  
 Delegate name HAYDEN PINI  
 Date 15/3/2019



**BUILDING APPROVAL**  
 Issued under section 28 of the Building Act 2004  
 CBS Residential Certifiers Pty Ltd  
 - 7 JUL 2020  
 Licence No:  
 2019937

# BLOCK: 18 SECTION 10, PEARCE

## GENERAL NOTES

- G1 These drawings shall be read in conjunction with other consultants' drawings and specifications and with other such written instructions as may be issued during the course of the Contract. Any discrepancy shall be referred to the Engineer before proceeding with the work.
- G2 All dimensions are in millimetres, U.N.O. (unless noted otherwise).
- G3 No dimension shall be obtained by scaling the drawings.
- G4 All levels and setting out dimensions shown on the drawings shall be checked on site prior to the commencement of the work.
- G5 During construction the structure shall be maintained in a stable condition and no part shall be overstressed.
- G6 Damp-proofing & sealing details shall be in accordance with Architect's details. All joints in concrete elements shall be suitably sealed or damp-proofed.

## FOUNDATIONS

- F1 Refer Slab Design Criteria for classification of site.
- F2 All foundations must be stable and uniform throughout.
- F3 Footings shall be placed centrally under walls and columns, U.N.O.

## LOADING

- L1 Superimposed floor loads are generally in accordance with AS 1170.1 or as noted in Table L4.
- L2 Wind loads are in accordance with AS/NZS 1170.2 as follows:  
Region : A Terrain category 3 wind classification N2
- L3 Earthquake loads are in accordance with AS 1170.4 as follows:  
a = 0.08 S = 1.0 I = 1.0, U.N.O.
- L4 Live loads & additional dead loads: (to AS/NZS 1170.1)

Area subject to loading	Live Load		Add. Dead Load
	Uniform	Point	
Floors - Internal	1.50 kPa	1.80 kN	0.50 kPa
Floors - External & Garage	3.00 kPa	1.80 kN	1.00 kPa
Roof Areas	0.25 kPa	1.40 kN	0.15 kPa

## MASONRY

- M1 All workmanship and materials shall be in accordance with AS 3700.
- M2 Characteristic compressive strength of masonry (f<sub>uc</sub>) = 24 MPa

Durability Requirements			
Mortar	Salt Attack Resistance Grade	Built In Component	Min. Cover to Reinforcement & Tendons in Grouted Cavities
M2	Protected	R1 (Galv'd 300 g/m <sup>2</sup> each side)	5
M3	General Purpose	R3 (Galv'd 470 g/m <sup>2</sup> each side)	15
M4	Exposure	R4 (Stainless)	30

- M3 All masonry walls supporting slabs and beams shall have a pre-greased two layer galvanised steel slip joint between concrete and masonry.
- M4 All masonry walls supporting or supported by concrete floors shall be provided with vertical joints to match any control joints in the concrete.
- M5 Non load bearing walls shall be separated from concrete above by 12 mm thick closed cell polyethylene strip.
- M6 Provide vertical control joints at 8 metres maximum centres, and 4 metres maximum from corners in masonry walls, and between new & existing brickwork.
- M7 Masonry retaining walls are to be backfilled with either of the following material:  
- Coarse grained soil with low silt content  
- Residual soil containing stones  
- Fine silty sand  
- Granular materials with low clay content

## REINFORCED CONCRETE

- C1 All workmanship and materials shall be in accordance with AS 3600 current edition, except where varied by the contract documents.
- C2 Concrete quality shall be as follows (subject to note C4 being satisfied):

Element	Slump mm	Max. Agg. Size mm	Cement Type	f <sub>c</sub> at 28 Days MPa
Footings	80	20	Normal	20
Slabs on Ground	80	20	Portland	25
Suspended Floors	80	20	Type A	32

- C3 Engineer to approve any admixtures used in concrete mix.
- C4 Cover to reinforcement shall be obtained by the use of approved bar chairs. All chairs to be placed at 750 maximum centres.
- C5 Minimum clear concrete cover to reinforcement including ties and stirrups (other than residential slabs on ground or footings) shall be as follows uno.

Exposure Classification	Minimum Cover (mm)				
	Concrete Strength (f <sub>c</sub> )				
	20 MPa	25 MPa	32 MPa	40 MPa	>50 MPa
A1	20	20	20	20	20
A2	(50)	30	25	20	20
B1	-	(60)	40	30	25
B2	-	-	(65)	45	35
C	-	-	-	(70)	50

For bracketed figures refer to AS 3600 current edition table 4.10.3.2

- C6 Residential slab on ground and footings cover requirements: (Minimum concrete grade N20)  
- Unprotected ground: 40 mm  
- External exposure: 40 mm  
- Membrane in contact with ground: 30 mm  
- Internal surface: 20 mm  
- Strip & pad footing: 40 mm
- C7 All concrete shall be mechanically vibrated. Vibrators shall not be used to spread concrete.
- C8 Sizes of concrete elements do not include thickness of applied finishes.
- C9 No holes or chases other than those shown on the structural drawings shall be made in concrete members without the prior approval of the Engineer.
- C10 Construction joints where not shown shall be located to the approval of the Engineer.
- C11 Curing of all concrete is to be achieved by keeping surfaces continuously wet for a period of 3 days, and prevention of loss of moisture for a total of 7 days followed by gradual drying out. Approved sprayed on compounds may be used where no floor finishes are proposed. Polythene sheeting or wet hessian may be used if protected from wind and traffic.
- C12 Construction support propping is to be left in place where needed to avoid over stressing the structure due to construction loading. No masonry or partition walls are to be constructed on suspended levels until all propping is removed and the slab has absorbed its dead load deflection.
- C13 Conduits, pipes, etc. shall only be placed in the middle one third of slab depth and spread at not less than 3 diameters.
- C14 Reinforcement symbols :  
N - Denotes deformed grade 500 normal ductility reinforcing bars to AS/NZS 4671.  
R - Denotes plain round grade 250 normal ductility reinforcing bars to AS/NZS 4671.  
SL - Denotes deformed grade 500 low ductility reinforcing mesh to AS/NZS 4671.  
RL - Denotes deformed grade 500 low ductility reinforcing mesh to AS/NZS 4671.  
L--TM - Denotes deformed grade 500 low ductility trench mesh to AS/NZS 4671.

- C15 Reinforcement is represented diagrammatically; it is not necessarily shown in true projection.
- C16 Splices in reinforcement shall be made only in positions shown or otherwise approved by the Engineer.
- C17 Fabric reinforcement shall have splices made so that the overlap, measured between the outermost transverse wires of each sheet of fabric, is not less than the spacing of those wires plus 25 mm.
- C18 Welding of reinforcement shall not be permitted unless shown on the structural drawings or approved by the Engineer.

## STRUCTURAL STEEL

- S1 All workmanship and materials shall be in accordance with AS 4100, AS 1163, AS 1554.1 and AS/NZS 4600.
- S2 The structural design has been based on the following steel grades, U.N.O:  
Hot rolled universal beams, columns, channels & angles:300PLUS  
Circular, square & rectangular hollow sections: C350/C450LO  
Cold formed open DuraGal profiles: C400/C450LO  
Cold formed lipped Cee & Zed purlins: G550/G500/G450
- S3 The structural design has been based on MBPMA nominal size Cee & Zed lipped purlins. All purlin profiles shall be in accordance with the MBPMA specifications.
- S4 Qualifications of welding procedures and personnel shall conform to Section 4 of AS 1554.1. Non destructive testing of welds shall include 100% visual inspection and additional testing as shown on the drawings.  
All welds shall be 6 mm continuous fillet type SP, U.N.O. All butt welds shall be complete penetration in accordance with AS 1554.1, U.N.O.  
Commercial bolts to AS 1111, snug tightened  
High strength structural bolts to AS 1562, snug tightened  
High strength structural bolts to AS 1562, fully tensioned bearing joint to AS 1511  
High strength structural bolts to AS 1562, fully tensioned friction joint to AS 1511  
All bolts shall be M16 8.8/S, with a minimum of 2 bolts per connection, U.N.O.
- S7 High strength TF & TB bolts shall be installed using approved load indicator washers, or in accordance with the part turn method nominated in AS 4100.
- S8 Gusset plates shall be 10 mm thick, grade 300PLUS steel, U.N.O.
- S9 Concrete encased steelwork shall be wrapped with SL41 fabric and shall have a minimum of 50 mm cover, U.N.O.
- S10 Steelwork not encased shall have the following surface treatment :

Exposure Classification	Steelwork Protection Required
A1 / A2	Power tool clean to AS1627 Class 1 1 Coat Alkyd Primer (Zinc Phosphate)
B1	Abrasive blast to AS1627 Class 2.5 1 Coat Inorganic Zinc Silicate
B2	Hot Dipped Galvanised to AS4680

- S11 Where sealed tube members are hot dip galvanised, the fabricator shall provide drill holes as necessary.
- S12 All transport and erection damage, site welds etc., shall be reinstated to an equivalent finish to adjacent steelwork

## SITE PREPARATION FOR SLABS ON GROUND

- P1 Strip topsoil containing organic matter. Proof roll fill sub grade and remove any soft zones.
- P2 Where additional fill is required to the underside of slabs on ground, non cohesive materials such as sand and gravel dust shall be placed by "controlled" compaction in horizontal layers of 200 mm (loose) maximum depth. This fill shall be compacted to at least 95% of Standard Maximum Dry Density (SMDD).
- P3 For slabs on ground, sand 50 mm approximate thickness is to be spread as a levelling layer and well watered down.
- P4 Damp-proofing membrane unpunctured and taped at laps, is to be placed over the sand, sufficient membrane being provided at edges to return under brickwork. Where no brickwork, tape membrane to side of footing below ground.

## FOUNDATION MAINTENANCE

FOUNDATION SOILS : All soils are affected by water. Silts are weakened by water and some sands can settle if heavily watered, but most problems arise on clay foundations. Clays swell and shrink due to changes in moisture content and the potential amount of the movement is implied in the site classification in Australian Standard AS2870, which is specified as follows:

- A Stable (Non-reactive).  
S Slightly Reactive.  
M Moderately Reactive.  
H Highly Reactive.  
E Extremely Reactive.

CLASS A & S SITES : Sands, silts and clays shall be protected from becoming extremely wet by adequate attention to site drainage and prompt repair of plumbing leaks.

CLASS M, H & E SITES : Sites classified as M, H, or E shall be maintained at essentially stable moisture conditions and extremes of wetting and drying prevented. This will require attention to the following :

Drainage of the site : The site shall be graded or drained so that water cannot pond against or near the house. The ground immediately adjacent to the house shall be graded to a uniform fall of 50 mm minimum away from the house over the first metre. The sub floor space for houses with suspended floors shall be graded or drained to prevent ponding where this may affect the performance of the footing system. The site drainage requirements shall be maintained for the economic life of the building.

Limitations on gardens : The development of the gardens shall not interfere with the drainage requirements or the sub floor ventilation and weep hole drainage systems. Garden beds adjacent to the house should be avoided. Care should be taken to avoid over watering of gardens close to the house footings.

Restrictions on trees and shrubs : Planting of trees should be avoided near the foundation of a house or neighbouring house on reactive sites as they can cause damage due to drying of the clay at substantial distances. To reduce, but not eliminate, the possibility of damage, tree planting should be restricted to a distance from the house of :

- 1.50 x mature height for Class E sites  
1.00 x mature height for Class H sites  
0.75 x mature height for Class M sites

Where rows or groups of trees are involved, the distance from the building should be increased. Removal of trees from the site can also cause similar problems. Repair of leaks : Leaks in plumbing, including storm water and sewerage drainage should be repaired promptly.

The level to which these measures are implemented depends on the reactivity of the site. The measures apply mainly to masonry houses and masonry veneer houses. For frame houses clad with timber or sheeting, lesser precautions may be appropriate.

## BONDEK/CONDECK FORMWORK

- B1 U.N.O. BONDEK/CONDECK PANELS SHALL BE 1.00Mmm BMT
- B2 PANELS ARE TO BE SECURELY FIXED OR HELD DOWN TO PREVENT DISPLACEMENT DUE TO CONSTRUCTION LOADING OR WIND UPLIFT PRIOR TO CONCRETING
- B3 FIX PANELS TO STEELWORK BY PUDDLE WELDING DRIVE PINS OR OTHER SUITABLE METHODS. SLIP JOINTS SHALL BE LOCATED AS SHOWN
- B4 FIXING TO MASONRY IS NOT NECESSARY PROVIDED CONCRETE IS PLACED IMMEDIATELY AFTER PANELS ARE LAID. TOP COURSE OF BRICKWORK IS TO BE STRAIGHT AND LEVEL. IF REQUIRED, PROVIDE LAYER OF SMOOTH HARD MORTAR SLIP JOINTS SHALL BE PROVIDED AT ALL MASONRY U.N.O.

- B5 BEFORE CONCRETE IS PLACED, ANY ACCUMULATED DEBRIS, GREASE OR ANY OTHER SUBSTANCE WILL NEED TO BE REMOVED TO ENSURE CLEAN BONDING SURFACE. ANY PONDED RAINWATER SHOULD BE REMOVED BY BLOWING OR SWEEPING
- B6 FASTENING OF SIDE LAP JOINTS SHALL BE IN ACCORDANCE WITH LYSAGHT PUBLICATIONS, AND GENERALLY ONE No. 10-24x16mm SELF-DRILLING TAPPING SCREW IS REQUIRED MID-SPAN FOR SUPPORT SPACING OF 2750mm OR GREATER. FOR POINT LOADS RATINGS OR EXPOSED SOFFITS ADDITIONAL FIXING MAY BE REQUIRED
- B7 U.N.O PROPPING SHALL BE IN ACCORDANCE WITH LYSAGHT PUBLICATIONS
- B8 PROPS SHALL NOT BE REMOVED UNTIL CONCRETE HAS REACHED SUFFICIENT STRENGTH

## LEGEND

- DENOTES LOAD BEARING BRICK WALL OVER
- DENOTES CORE FILLED BLOCK WALL OVER
- DENOTES NON LOAD BEARING WALL OVER
- DENOTES NON LOAD BEARING WALL UNDER
- DENOTES LOAD BEARING MASONRY WALL UNDER
- DENOTES LOAD BEARING 190 DINCEL WALL
- DENOTES LOAD BEARING STUD WALL OVER
- DENOTES SLAB PENETRATION
- DENOTES SLAB STEP DEPTH
- DENOTES MINIMUM SLAB DEPTH
- DENOTES SLAB DATUM
- DENOTES STEEL BEAM 150mm BELOW SLAB DATUM
- DENOTES SAWN JOINT. REFER TO DETAILS.
- DENOTES KEY JOINT. REFER TO DETAILS.
- DENOTES DOUBLE STUD
- DENOTES TRIPLE STUD
- DENOTES F11x4.5 THICK PLYWOOD SHEET STRUCTURAL BRACING. REFER TO TIMBER FRAMING CODE FOR FIXING.
- DENOTES 30x0.8 METAL STRAP CROSS BRACING. REFER TO TIMBER FRAMING CODE AS1684 FOR FIXING
- DENOTES CONTINUOUS STEEL COLUMN
- DENOTES STEEL COLUMN OVER
- DENOTES STEEL COLUMN UNDER
- DENOTES STEEL COLUMN UNDER & OVER

NOTE: DO NOT SCALE OFF DRAWINGS. REFER TO ARCHITECTURAL PLANS. VERIFY DIMENSIONS ON SITE

REV	DATE	DESCRIPTION	BY
B	15.09.20	ISSUED FOR BA	A.N.H
A	15.06.20	ISSUED FOR BA	A.N.H

COPYRIGHT  
All rights reserved.  
These drawings, plans and specifications and the copyright are the property of ANH Consultants and must not be used, reproduced or copied wholly or in part without the written permission of ANH Consultants.



Suite 4, 28 Collic St Fyshwick ACT (HIA Building)  
T (02) 6100 0414 M. 0407 777 877  
E. info@anh.net.au www.anh.net.au

NEW RESIDENCE  
BLOCK: 18 SECTION 10, PEARCE  
FOR PULSE HOMES

JOB NUMBER:	DWG NUMBER:	ORIGINAL SIZE:
20-322	S000	A3
DESIGNED BY: A.N.H	DATE: 15.09.2020	
DRAWN BY: U.H	SCALE: 1:100	

GENERAL NOTES

ELEMENT	STRENGTH	MAX SIZE	SLUMP	CEMENT	ADMIXTURE
CONCRETE QUALITY	f <sub>c</sub>	AGG. mm	mm	TYPE	
FOOTING	20	20	80	GP	-
PIERS	20	20	80	GP	-
WAFFLE POD SLAB	25	20	80	GP	

REFER TO GENERAL NOTES FOR REINFORCEMENT COVER

FOOTING SCHEDULE			
MARK	DESCRIPTION	SIZE	COMMENTS
PF1	PAD FOOTING	500 D x 600 x 500 W	MASS CONCRETE
EB1	EDGE BEAM	REFER DETAIL	REFER DETAIL
EB2	EDGE BEAM	REFER DETAIL	REFER DETAIL
EB3	EDGE BEAM	REFER DETAIL	REFER DETAIL
EB4	EDGE BEAM	REFER DETAIL	REFER DETAIL
IB1	INTERNAL BEAM	REFER DETAIL	REFER DETAIL
IB2	INTERNAL BEAM	REFER DETAIL	REFER DETAIL
IB3	INTERNAL BEAM	REFER DETAIL	REFER DETAIL
SF1	STRIP FOOTING	500 D x 300 W	L11TM-200 TOP & BTM + 400mm 11TM CLIP SPACER

**NOTE:**  
FOOTING DESIGNED FOR CLASS 'M'  
BUILDER TO CONFIRM SITE CLASSIFICATION BEFORE COMMENCEMENT OF WORK

### WAFFLE POD SLAB PLAN

1:100

NOTES:

- REFER TO DRAWING S200 FOR FOOTING & SLAB DETAILS
- ALL FOOTINGS TO BEAR ON SAME STRATA & ON NATURAL SOLID GROUND
- ALL EXTERNAL SLABS TO BE 100 THICK WITH SL82 FABRIC IN TOP, 30 COVER
- PROVIDE CONTINUOUS VAPOR BARRIER OR DAMP-PROOFING MEMBRANE OVER 50mm SAND UNDER ALL SLABS ACCORDING TO THE BCA FIG 3.2.2.3
- ARTICULATE ALL BRICKWORK & DRAINAGE TO BCA
- BUILDER TO REPORT SITE CONDITION TO STRUCTURAL ENGINEER AFTER THE SITE CUT & FILL IS COMPLETE
- IF CONTROLLED FILL CANNOT BE ACHIEVED UNDER THE SLAB PROVIDE Ø300 MASS CONCRETE PIERS 1000mm BELOW NATURAL GROUND LEVEL. PIERS TO BE PLACED UNDER ALL BEAMS AT THE INTERSECTION OF EVERY SECOND POD & ADD 1N12 BAR ON TOP EXTRA OVER PIERS

### PIERING REQUIREMENT

- IF EDGE BEAM DOES NOT BEAR ON NATURAL GROUND PROVIDE Ø300 MASS CONCRETE PIER AS PER BORED PIER NOTE ON THIS PAGE.
- IF INTERNAL SLAB BEAR ON MORE THAN 300mm FILL PROVIDE PIERS @ 2M CTRS, 1M INTO NATURAL GROUND

### NOTE

- THIS DESIGN IS BASED ON NO FILL PAST BUILDING FACADE. ADVISE OUR OFFICE OTHERWISE BEFORE COMMENCEMENT OF WORK.

### BORED PIER NOTE

- BORED PIERS SHALL BE USED IN ACCORDANCE WITH THE FOLLOWING:
- SET OUT AS PER THE ADJACENT PLAN.
  - FOUNDED OFF **VERY STIFF CLAY** THAT IS UNIFORM & STABLE THROUGHOUT.

### WAFFLE SLAB NOTES

**100 THICK** SLAB REINFORCED WITH **SL82 MESH TOP** CONTINUOUS THROUGHOUT INCLUDING ANY EXTRAS AS NOTED ON PLAN OR IN DETAILS.

SITE PREPARATION SHALL BE CARRIED OUT IN ACCORDANCE WITH THE GENERAL NOTES & CURRENT EDITION OF AS2870 - RESIDENTIAL SLABS & FOOTING CODE.

REFER TO GENERAL NOTES FOR CONCRETE COVERS

EB1 TO BEAR ON NATURAL GROUND OR BORED PIERS AT ALL TIMES.

### SLAB ON GROUND NOTES

DENOTES EXTENT OF 150 THICK SLAB REINFORCED WITH SL82 MESH TOP & SL72 MESH BTM CONTINUOUS THROUGHOUT PLUS ANY EXTRAS AS NOTED ON PLAN AND IN DETAILS.

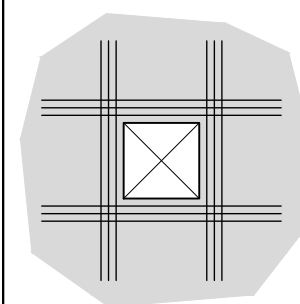
REFER TO TABLE BELOW FOR CONCRETE COVERS

NOTES TO BE READ IN CONJUNCTION WITH PLANS AND TYPICAL DETAILS

### REINFORCEMENT COVERS

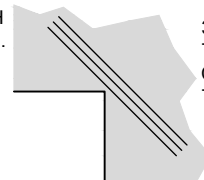
SLAB ON GROUND	INTERIOR	EXTERIOR
SLAB TOP	20mm	45mm
BTM	30mm	30mm
SIDES	45mm	45mm

### TYPICAL SLAB TRIMMER DETAILS



PROVIDE 3 N12 BARS TOP EXTEND 600 MIN. PAST EACH EDGE OF THE PENETRATION. APPLY TO LARGER THAN 150 x 150 PENETRATION.

SLAB PENETRATION TRIMMER



3 N12-2000 LONG (75 SPACING) TRIMMERS BARS AT ALL RE-ENTRANT CORNERS, TIED TO UNDERSIDE OF TOP REINFORCEMENT.

SLAB RE-ENTRANT CORNER TRIMMER

NOTE: DO NOT SCALE OFF DRAWINGS. REFER TO ARCHITECTURAL PLANS. VERIFY DIMENSIONS ON SITE

### LEGEND

- DENOTES LOCATION OF FULL 225 DEEP PODS. POD SIZE: 1090 x 1090 (CUT PODS AS REQUIRED)
- DENOTES LOCATION OF MODIFIED 225 DEEP PODS. POD SIZE: 1090 x 1090 (CUT PODS AS REQUIRED)
- POD LAYOUT STARTING POINT

REV	DATE	DESCRIPTION	BY
B	15.09.20	ISSUED FOR BA	ANH
A	15.06.20	ISSUED FOR BA	ANH

COPYRIGHT  
All rights reserved.  
These drawings, plans and specifications and the copyright are the property of ANH Consultants and must not be used, reproduced or copied wholly or in part without the written permission of ANH Consultants.

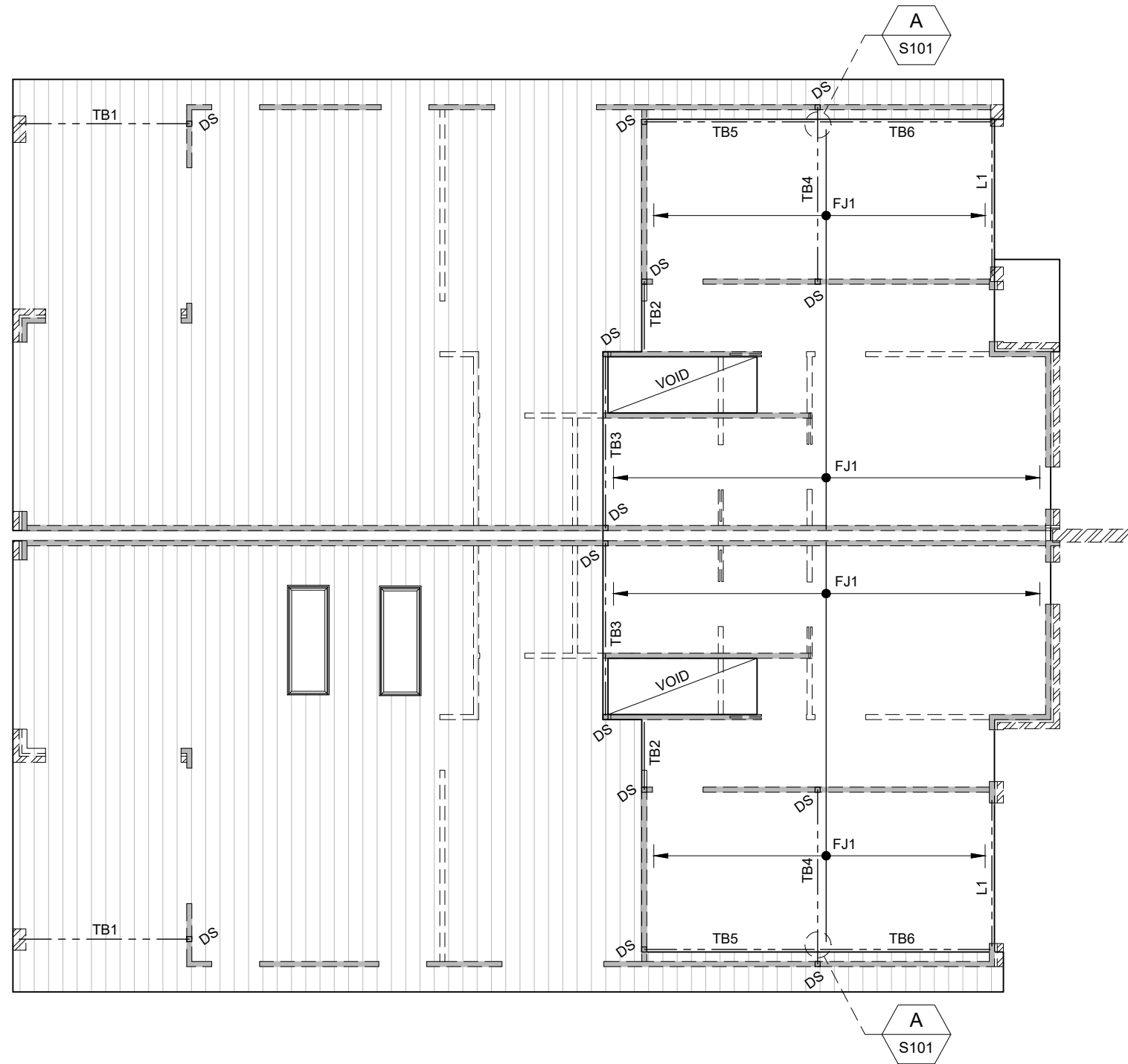


Suite 4, 28 Collie St Fyshwick ACT (HIA Building)  
T (02) 6100 0414 M. 0407 777 877  
E. info@anh.net.au www.anh.net.au

**NEW RESIDENCE**  
BLOCK: 18 SECTION 10, PEARCE  
FOR PULSE HOMES

WAFFLE POD SLAB PLAN

JOB NUMBER:	DWG NUMBER:	ORIGINAL SIZE:
20-322	S100	A3
DESIGNED BY: A.N.H.	DATE: 15.09.2020	
DRAWN BY: U.H.	SCALE: 1:100	



**UPPER FLOOR TIMBER MARKING PLAN**

1:100

**NOTE:**  
ALL LVL TIMBER MEMBERS MUST BE WEATHER PROTECTED.  
ADVISE OUR OFFICE OTHERWISE

NOTE: DO NOT SCALE OFF DRAWINGS. REFER TO ARCHITECTURAL PLANS. VERIFY DIMENSIONS ON SITE

REV	DATE	DESCRIPTION	BY
B	15.09.20	ISSUED FOR BA	ANH
A	28.07.20	ISSUED FOR BA	ANH

COPYRIGHT  
All rights reserved.  
These drawings, plans and specifications and the copyright are the property of ANH Consultants and must not be used, reproduced or copied wholly or in part without the written permission of ANH Consultants.



Suite 4, 28 Collie St Fyshwick ACT (HIA Building)  
T (02) 6100 0414 M. 0407 777 877  
E. info@anh.net.au www.anh.net.au

**NEW RESIDENCE**  
BLOCK: 18 SECTION 10, PEARCE  
FOR PULSE HOMES

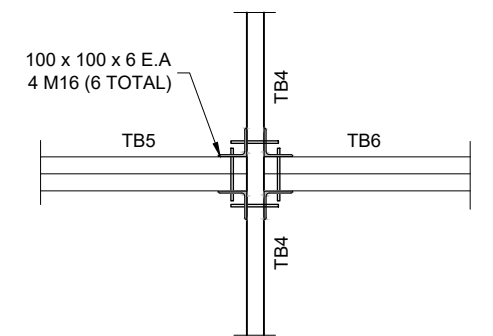
**UPPER FLOOR TIMBER MARKING PLAN**

JOB NUMBER: 20-322	DWG NUMBER: S101	ORIGINAL SIZE: A3
DESIGNED BY: A.N.H	DATE: 15.09.2020	
DRAWN BY: U.H	SCALE: 1:100	

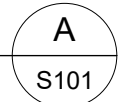
STEEL & TIMBER MEMBER SCHEDULE			
MARK	DESCRIPTION	SIZE	COMMENTS
DS	DOUBLE STUD	2/90 x 45 MGP10	
TB1	TIMBER BEAM	200 x 45 LVL	
TB2	TIMBER BEAM	2/300 x 45 LVL	
TB3	TIMBER BEAM	2/300 x 45 LVL	
TB4	TIMBER BEAM	300 x 45 LVL	
TB5	TIMBER BEAM	2/300 x 45 LVL	
TB6	TIMBER BEAM	2/300 x 45 LVL	
L1	T-BAR LINTEL	200 x 10 WEB, 200 x 10 FLANGE	150mm MIN. BEARING
FJ1	FLOOR JOIST BY FRAMING COMPANY		

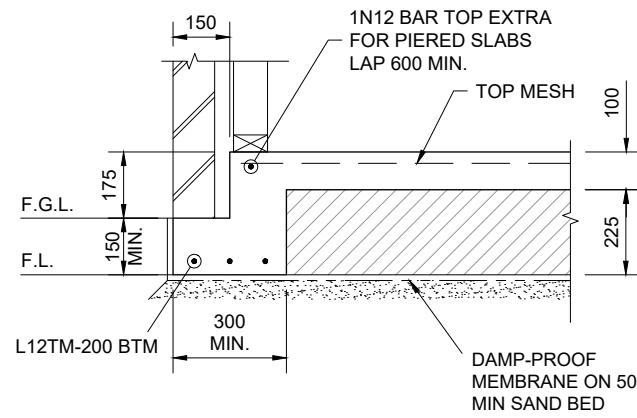
**NOTE:**  
TRUSS LAYOUT TO BE FORWARDED TO ANH CONSULTING ENGINEERS BEFORE COMMENCEMENT OF WORK ON SITE  
  
DO NOT LOAD INTERNAL WALLS WITHOUT PERMISSION OF A STRUCTURAL ENGINEER  
  
TIMBER TRUSSES, ROOF BRACING, WALL FRAMING, LINTELS  
WALL BRACING AND EXISTING ROOF SUPPORT TRUSSES BY FRAMING COMPANY.

**NOTE:**  
ARCHITECT/ BUILDER TO CHECK THE CLEARANCE, LEVELS AND LAYOUT OF STRUCTURAL STEEL MEMBERS BEFORE COMMENCEMENT ON SITE

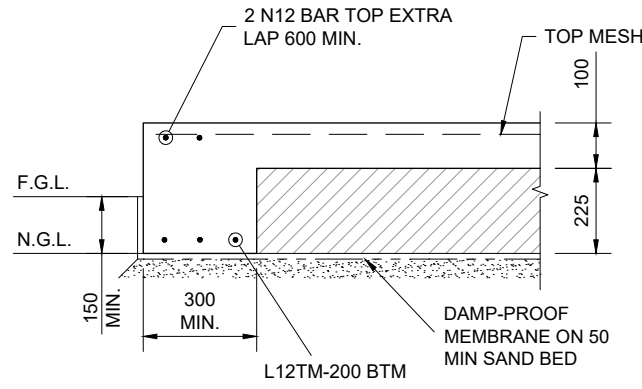


**DETAIL**  
1:20

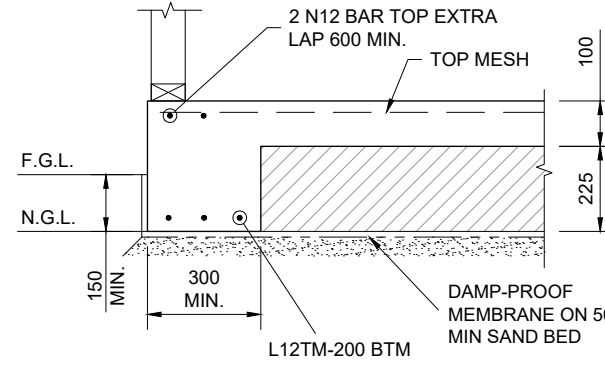




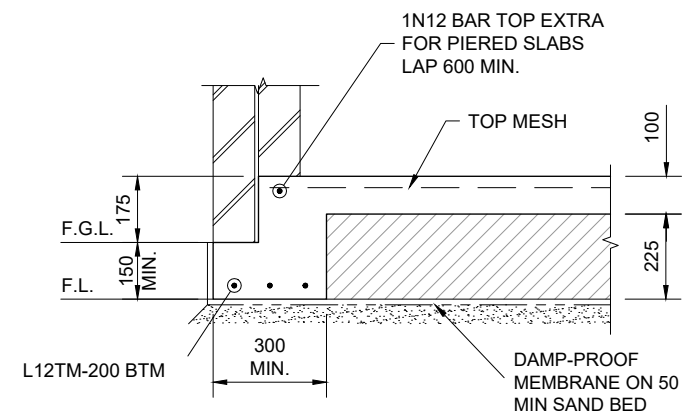
**TYPICAL 'EB1' DETAIL**  
**SECTION 1**  
 1:20 S100



**TYPICAL 'EB2' DETAIL**  
**SECTION 2**  
 1:20 S100



**TYPICAL 'EB3' DETAIL**  
**SECTION 3**  
 1:20 S100

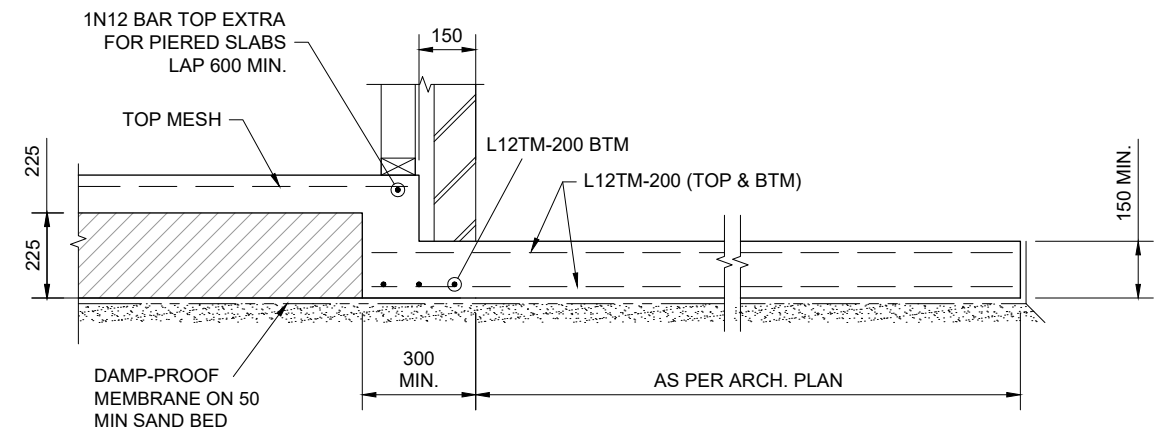


**TYPICAL 'EB4' DETAIL**  
**SECTION 4**  
 1:20 S100

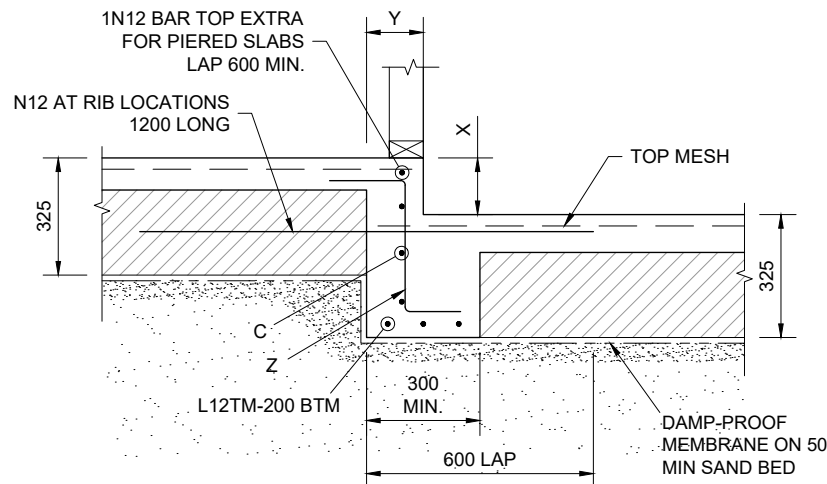
**LEGEND**

- F.G.L FINISHED GROUND LEVEL
- N.G.L NATURAL GROUND LEVEL
- F.L FILL LINE
- STYRENE VOID FORMER

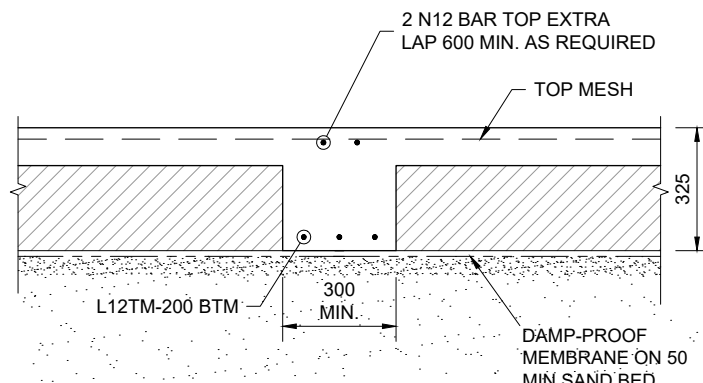
X	Y	Z	C
$X \leq 200$	150	NOT REQUIRED	NOT REQUIRED
$201 \leq X \leq 400$	200	NOT REQUIRED	NOT REQUIRED
$401 \leq X \leq 1200$	150	N12-300	N12-300
$1201 \leq X \leq 1800$	200	N12-200	N12-300



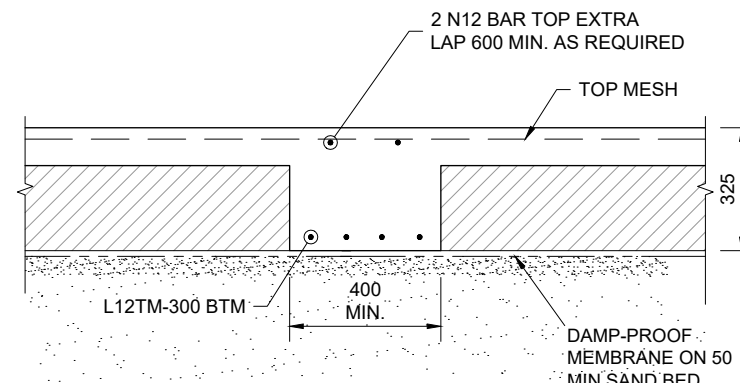
**DETAIL A**  
 1:20 S100



**TYPICAL 'IB1' DETAIL**  
**SECTION 5**  
 1:20 S100



**TYPICAL 'IB2' DETAIL**  
**SECTION 6**  
 1:20 S100



**TYPICAL 'IB3' DETAIL**  
**SECTION 7**  
 1:20 S100

NOTE: DO NOT SCALE OFF DRAWINGS. REFER TO ARCHITECTURAL PLANS. VERIFY DIMENSIONS ON SITE

REV	DATE	DESCRIPTION	BY
B	15.09.20	ISSUED FOR BA	A.N.H
A	15.06.20	ISSUED FOR BA	A.N.H

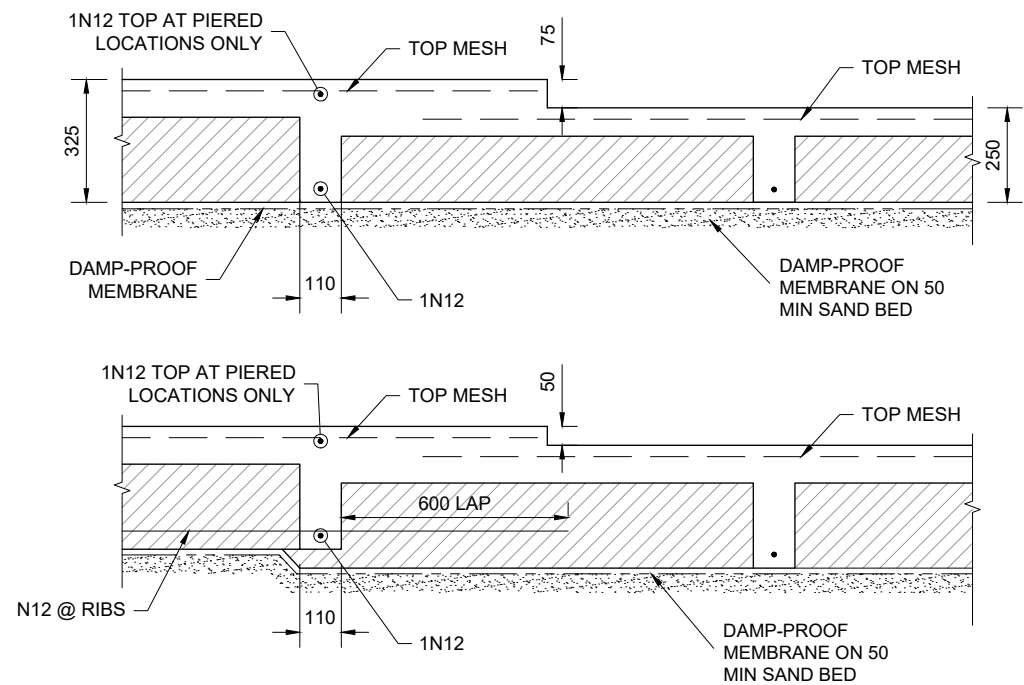
COPYRIGHT  
 All rights reserved.  
 These drawings, plans and specifications and the copyright are the property of ANH Consultants and must not be used, reproduced or copied wholly or in part without the written permission of ANH Consultants.

**ANH**  
 consulting engineers  
 Suite 4, 28 Collic St Fyshwick ACT (HIA Building)  
 T (02) 6100 0414 M. 0407 777 877  
 E. info@anh.net.au www.anh.net.au

**NEW RESIDENCE**  
 BLOCK: 18 SECTION 10, PEARCE  
 FOR PULSE HOMES

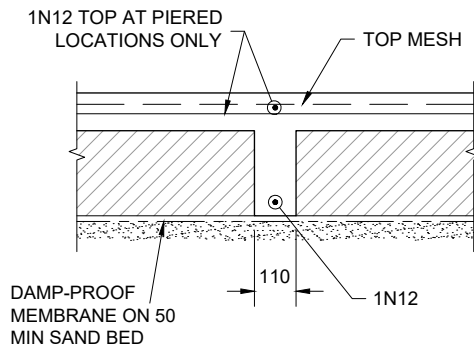
**FOOTING SLAB DETAILS**  
 SHEET #1

JOB NUMBER:	DWG NUMBER:	ORIGINAL SIZE:
20-322	S200	A3
DESIGNED BY: A.N.H	DATE: 15.09.2020	
DRAWN BY: U.H	SCALE: 1:20	



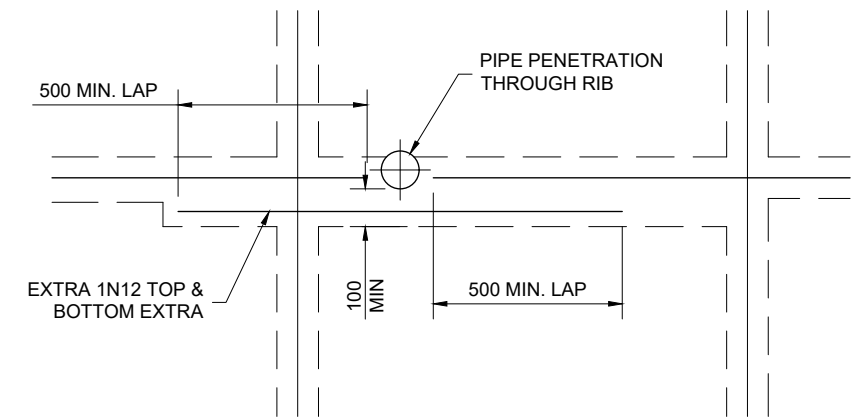
**TYPICAL SET DOWN DETAIL IF REQUIRED**

1:20



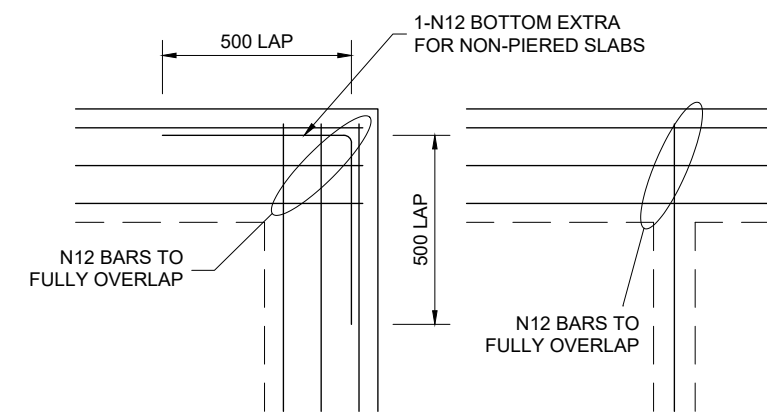
**TYPICAL STIFFENING RIB**

1:20



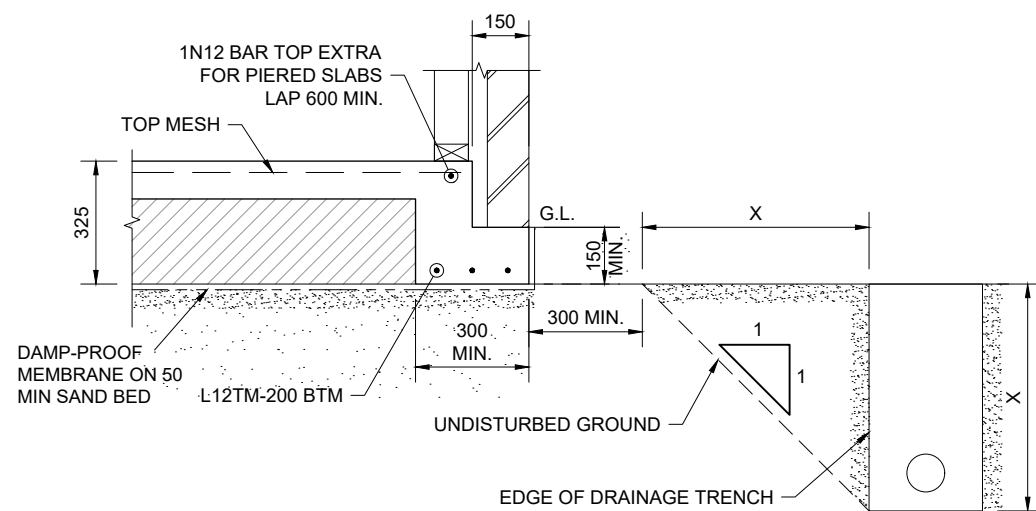
**WAFFLE POD DETAILS AT PENETRATION**

1:20



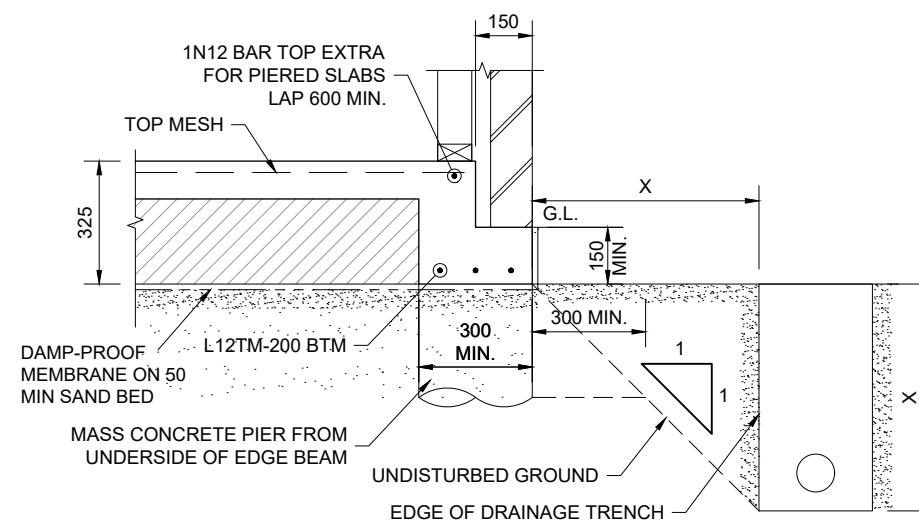
**WAFFLE POD LAP DETAILS**

1:20



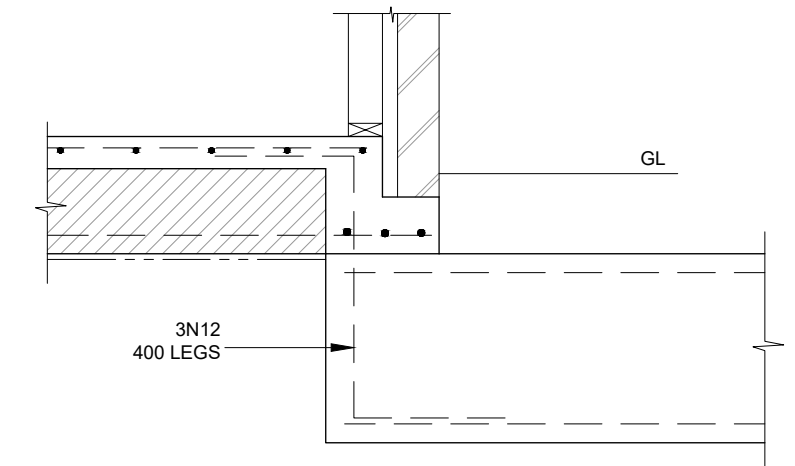
**PREMISSIBLE DRAINAGE ZONE**

1:20



**ALTERNATE DRAINAGE ZONE**

1:20



**SF1 TO EB DETAIL**

1:20

NOTE: DO NOT SCALE OFF DRAWINGS. REFER TO ARCHITECTURAL PLANS. VERIFY DIMENSIONS ON SITE

REV	DATE	DESCRIPTION	BY
B	15.09.20	ISSUED FOR BA	A.N.H
A	15.06.20	ISSUED FOR BA	A.N.H

COPYRIGHT  
All rights reserved.  
These drawings, plans and specifications and the copyright are the property of ANH Consultants and must not be used, reproduced or copied wholly or in part without the written permission of ANH Consultants.



Suite 4, 28 Collie St Fyshwick ACT (HIA Building)  
T (02) 6100 0414 M. 0407 777 877  
E. info@anh.net.au www.anh.net.au

**NEW RESIDENCE**  
BLOCK: 18 SECTION 10, PEARCE  
FOR PULSE HOMES

**FOOTING SLAB DETAILS**  
SHEET #2

JOB NUMBER:	DWG NUMBER:	ORIGINAL SIZE:
20-322	S201	A3
DESIGNED BY: A.N.H	DATE: 15.09.2020	
DRAWN BY: U.H	SCALE: 1:20	

**NOTE**  
 - A MIN. OF 50% OF THE POS IS TO BE RETAINED AS PLANTING AREA TO COMPLY WITH TERRITORY PLAN - R50.  
 - FOOTPATH IN VERGE NOT TO BE DISTURBED BY DRIVEWAY  
 - BUILDER TO CONFIRM FINISHED FLOOR HEIGHTS PRIOR TO CONSTRUCTION  
 - RL'S TO BE WITHIN 40mm OF SPECIFIED HEIGHT

**SITE**  
 23  
 SITE - 825 m<sup>2</sup>  
 PLOT RATIO - 43.01 % / 354.85 m<sup>2</sup> (412.50 m<sup>2</sup> / 50% max)

**UNIT 1 AREA**  
 GROUND - 105.77 m<sup>2</sup>  
 UPPER - 48.39 m<sup>2</sup>  
 GARAGE - 19.65 m<sup>2</sup>  
 STORAGE - 4.00 m<sup>2</sup>  
 TOTAL - 177.04 m<sup>2</sup>

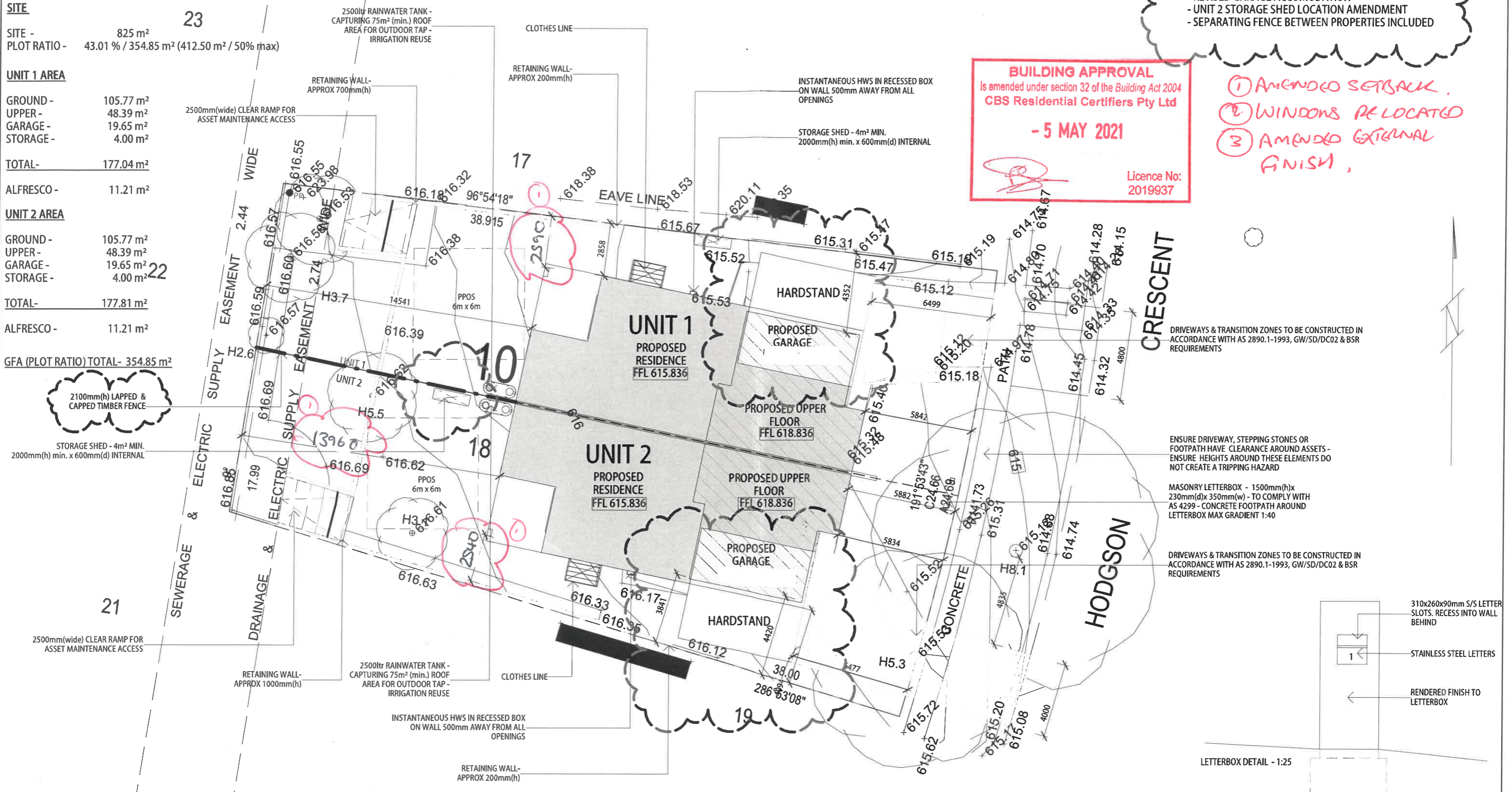
**UNIT 2 AREA**  
 GROUND - 105.77 m<sup>2</sup>  
 UPPER - 48.39 m<sup>2</sup>  
 GARAGE - 19.65 m<sup>2</sup>  
 STORAGE - 4.00 m<sup>2</sup>  
 TOTAL - 177.81 m<sup>2</sup>  
 ALFRESCO - 11.21 m<sup>2</sup>

GFA (PLOT RATIO) TOTAL - 354.85 m<sup>2</sup>

**ISSUE D - 27.2.19**  
 - REVISED GARAGE ACCOMODATION  
 - UNIT 2 STORAGE SHED LOCATION AMENDMENT  
 - SEPARATING FENCE BETWEEN PROPERTIES INCLUDED

**BUILDING APPROVAL**  
 is amended under section 32 of the Building Act 2004  
 CBS Residential Certifiers Pty Ltd  
 - 5 MAY 2021  
 Licence No: 2019937

① AMENDED SETBACK,  
 ② WINDOWS RELOCATED  
 ③ AMENDED EXTERNAL FINISH,

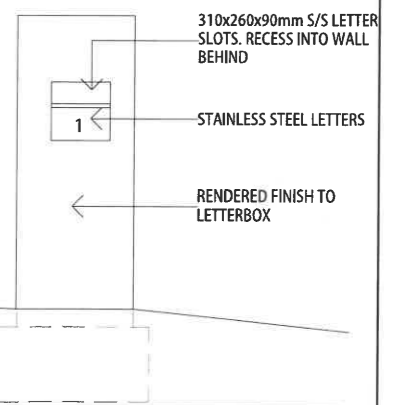


DRIVEWAYS & TRANSITION ZONES TO BE CONSTRUCTED IN ACCORDANCE WITH AS 2890.1-1993, GW/SD/DC02 & BSR REQUIREMENTS

ENSURE DRIVEWAY, STEPPING STONES OR FOOTPATH HAVE CLEARANCE AROUND ASSETS - ENSURE HEIGHTS AROUND THESE ELEMENTS DO NOT CREATE A TRIPPING HAZARD

MASONRY LETTERBOX - 1500mm(h)x 230mm(d)x 350mm(w) - TO COMPLY WITH AS 4299 - CONCRETE FOOTPATH AROUND LETTERBOX MAX GRADIENT 1:40

DRIVEWAYS & TRANSITION ZONES TO BE CONSTRUCTED IN ACCORDANCE WITH AS 2890.1-1993, GW/SD/DC02 & BSR REQUIREMENTS



LETTERBOX DETAIL - 1:25

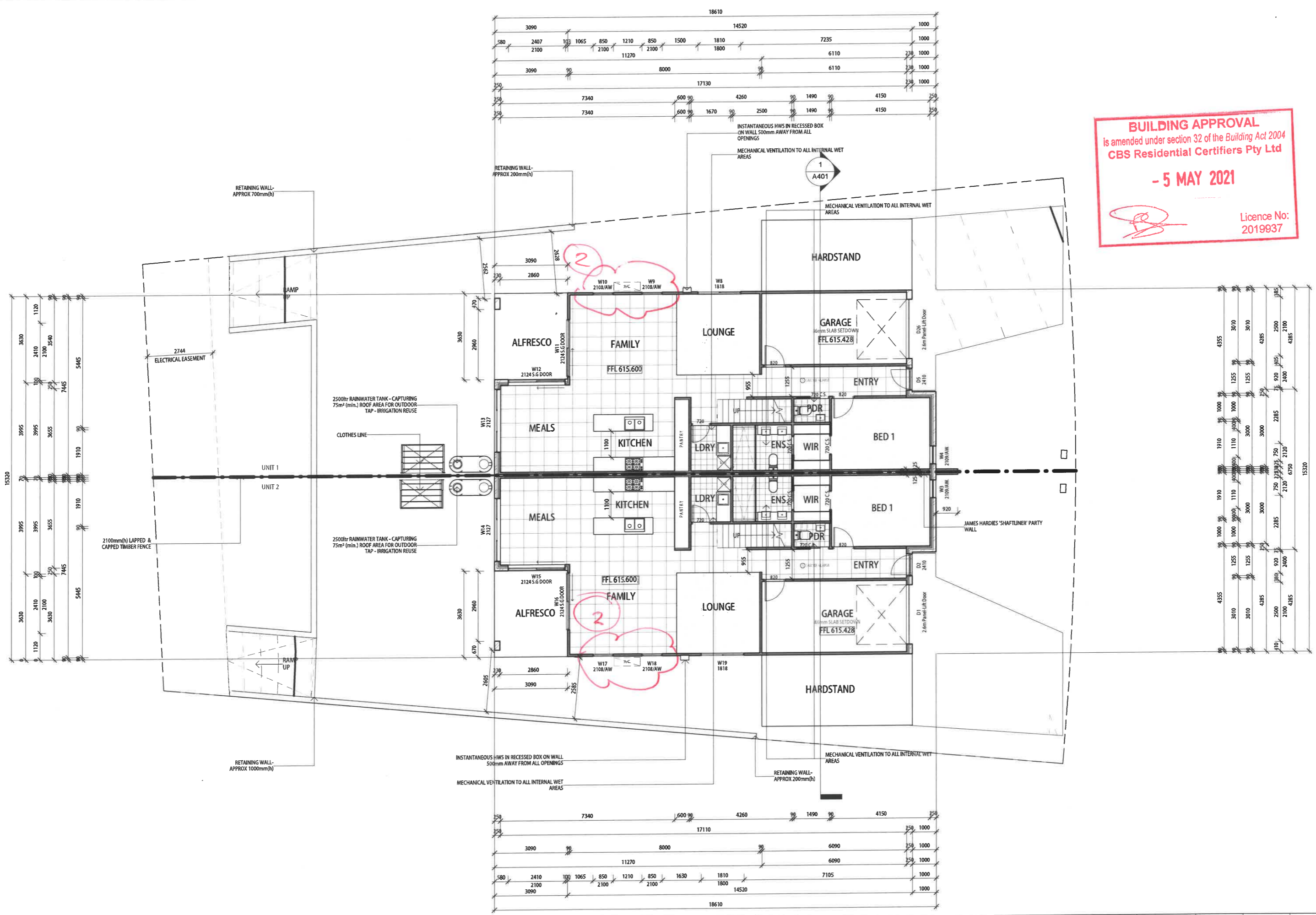
**D.A. ISSUE**  
 Date: \_\_\_\_\_ Signed: \_\_\_\_\_

Amendment			
1	NOD ISSUE	27.2.19	1

**MINISTRY DESIGN**  
 18/10 Pearce  
 www.ministrydesign.com.au

Drawing Title	Block	Section	Suburb	Scale	Job no.	Drawing Number	Revision
Site Plan	18	10	Pearce	1:200	1412	A101	F
	Client			Date	Drawn		
	Kostas Livas			22.2.18	PI		

**BUILDING APPROVAL**  
 is amended under section 32 of the Building Act 2004  
 CBS Residential Certifiers Pty Ltd  
 - 5 MAY 2021  
 Licence No: 2019937

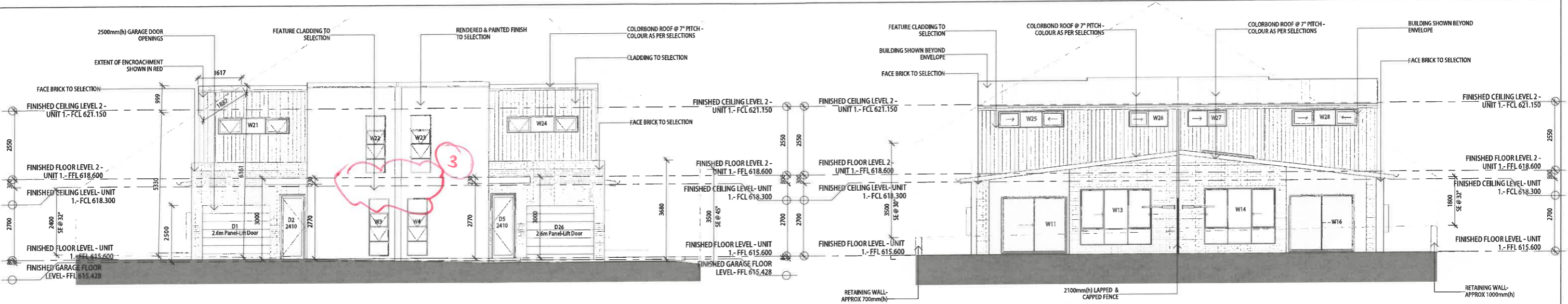


Amendment



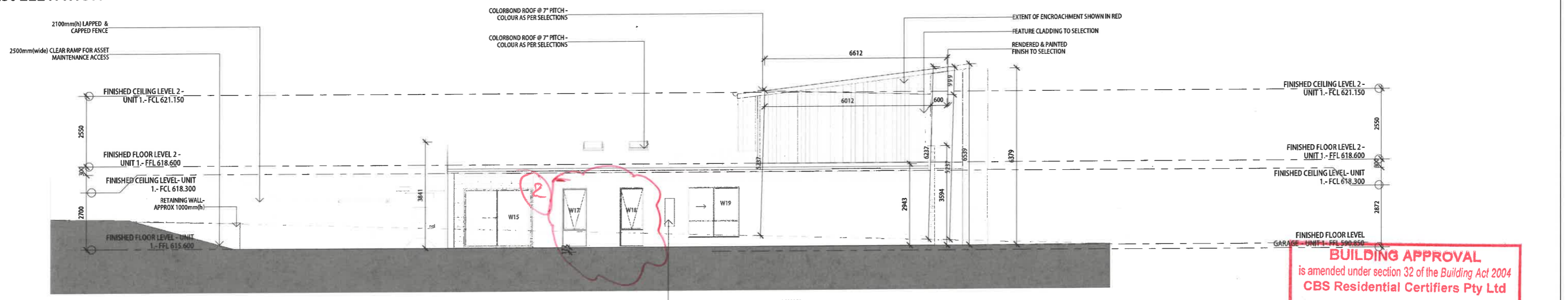
Overall Ground Floor Plan

Drawing Title	Block	Section	Suburb	Scale	Job no.	Drawing Number	Revision
Overall Ground Floor Plan	18	10	Pearce	1:100	1811	A204	F
	Client			Date	Drawn		
	Kostas Livas			22.2.18	PI		



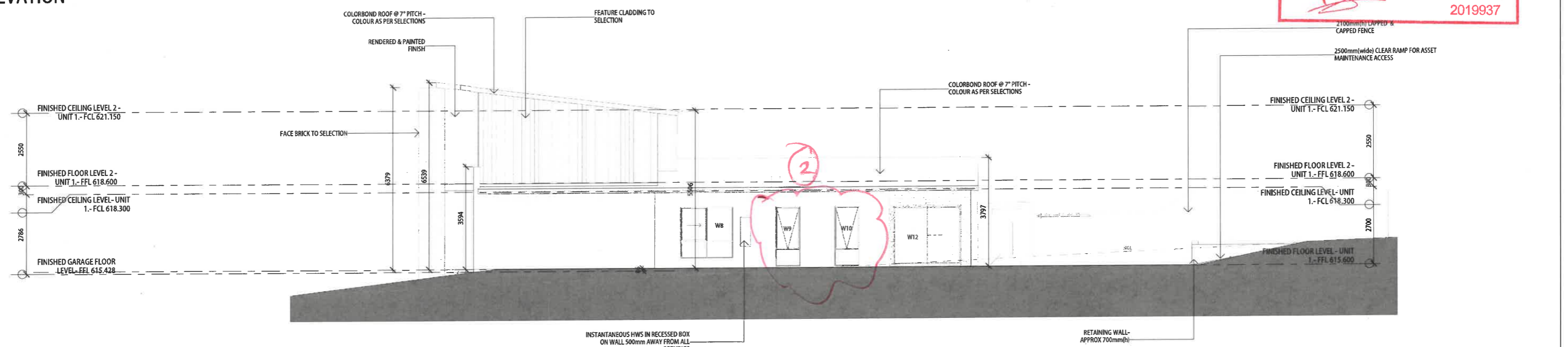
east ELEVATION

west ELEVATION



south ELEVATION

**BUILDING APPROVAL**  
 is amended under section 32 of the Building Act 2004  
 CBS Residential Certifiers Pty Ltd  
 - 5 MAY 2021  
 Licence No: 2019937



north ELEVATION

Amendment		Drawing Title: Elevations Block: 18 Section: 10 Suburb: Pearce Client: Kostas Livas	Scale: 1:100 Date: 22.2.18	Job no: 1412 Drawn: PI	Drawing Number: A300 Revision: F

**NOTE**  
 - A MIN. OF 50% OF THE POS IS TO BE RETAINED AS PLANTING AREA TO COMPLY WITH TERRITORY PLAN - R50.  
 - FOOTPATH IN VERGE NOT TO BE DISTURBED BY DRIVEWAY  
 - BUILDER TO CONFIRM FINISHED FLOOR HEIGHTS PRIOR TO CONSTRUCTION  
 - RL'S TO BE WITHIN 40mm OF SPECIFIED HEIGHT

**SITE**  
 SITE - 825 m<sup>2</sup>  
 PLOT RATIO - 43.01 % / 354.85 m<sup>2</sup> (412.50 m<sup>2</sup> / 50% max)

**UNIT 1 AREA**  
 GROUND - 105.77 m<sup>2</sup>  
 UPPER - 48.39 m<sup>2</sup>  
 GARAGE - 19.65 m<sup>2</sup>  
 STORAGE - 4.00 m<sup>2</sup>  
**TOTAL - 177.04 m<sup>2</sup>**

ALFRESCO - 11.21 m<sup>2</sup>

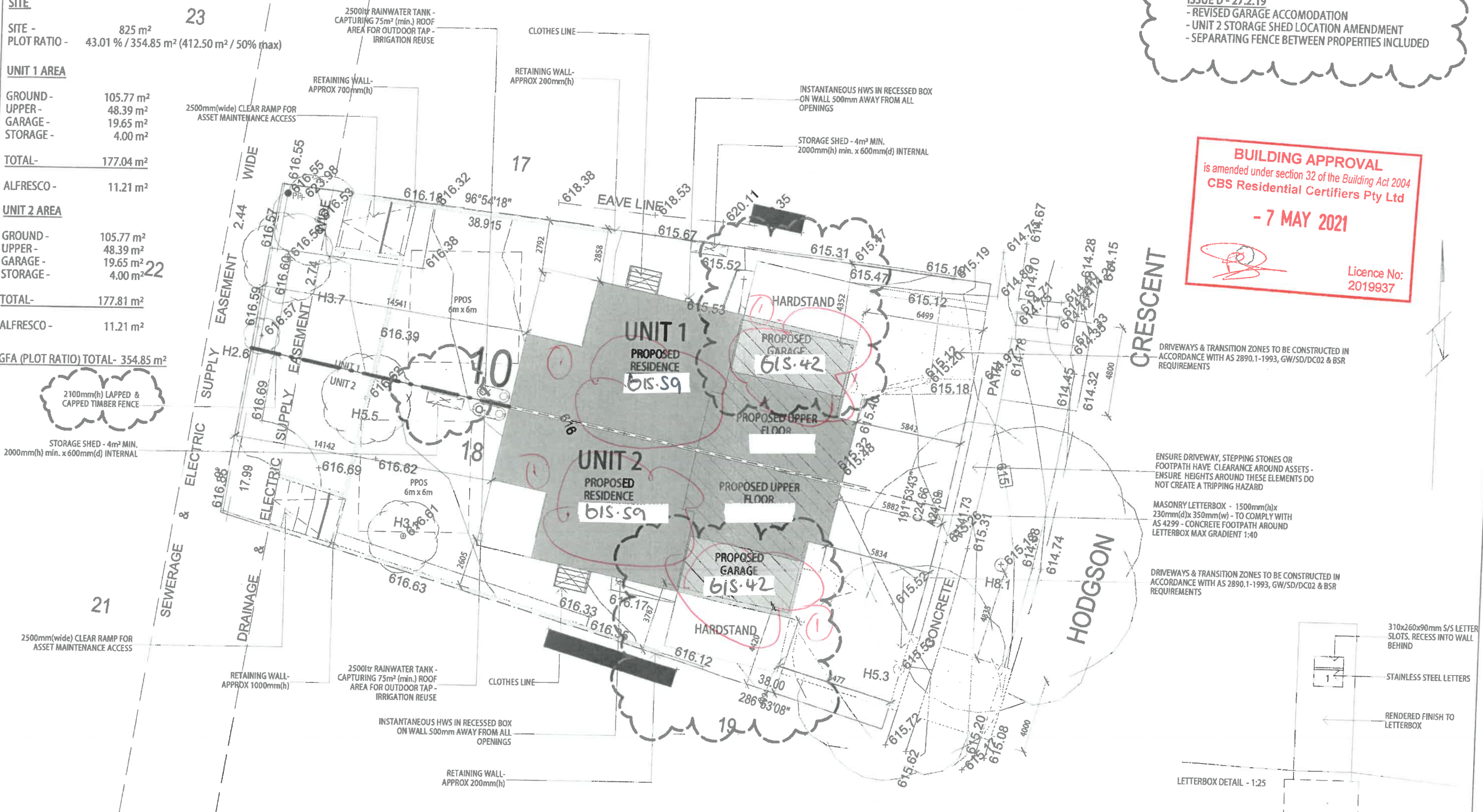
**UNIT 2 AREA**  
 GROUND - 105.77 m<sup>2</sup>  
 UPPER - 48.39 m<sup>2</sup>  
 GARAGE - 19.65 m<sup>2</sup>  
 STORAGE - 4.00 m<sup>2</sup>  
**TOTAL - 177.81 m<sup>2</sup>**

ALFRESCO - 11.21 m<sup>2</sup>

GFA (PLOT RATIO) TOTAL - 354.85 m<sup>2</sup>

**ISSUE D - 27.2.19**  
 - REVISED GARAGE ACCOMODATION  
 - UNIT 2 STORAGE SHED LOCATION AMENDMENT  
 - SEPARATING FENCE BETWEEN PROPERTIES INCLUDED

**BUILDING APPROVAL**  
 is amended under section 32 of the Building Act 2004  
 CBS Residential Certifiers Pty Ltd  
 - 7 MAY 2021  
 Licence No: 2019937

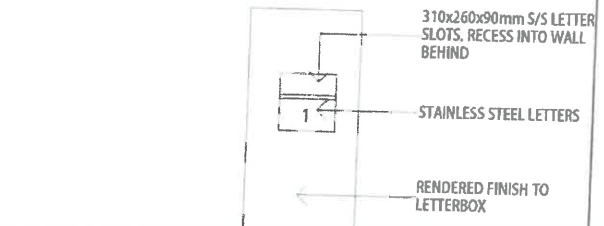


DRIVEWAYS & TRANSITION ZONES TO BE CONSTRUCTED IN ACCORDANCE WITH AS 2890.1-1993, GW/SD/DC02 & BSR REQUIREMENTS

ENSURE DRIVEWAY, STEPPING STONES OR FOOTPATH HAVE CLEARANCE AROUND ASSETS - ENSURE HEIGHTS AROUND THESE ELEMENTS DO NOT CREATE A TRIPPING HAZARD

MASONRY LETTERBOX - 1500mm(h)x 230mm(d)x 350mm(w) - TO COMPLY WITH AS 4299 - CONCRETE FOOTPATH AROUND LETTERBOX MAX GRADIENT 1:40

DRIVEWAYS & TRANSITION ZONES TO BE CONSTRUCTED IN ACCORDANCE WITH AS 2890.1-1993, GW/SD/DC02 & BSR REQUIREMENTS



LETTERBOX DETAIL - 1:25

① Amended FF2

**D.A. ISSUE**  
 Date: \_\_\_\_\_ Signed: \_\_\_\_\_

Amendment		<b>MINISTRY DESIGN</b> <small>18/12/2018 15:00:00 - 18/12/2018 15:00:00 - 18/12/2018 15:00:00</small> <small>© 2018 Ministry Design Pty Ltd</small>	Drawing Title		Block	Section	Suburb	Scale	Job No.	Drawing Number	Revision
1	NOD ISSUE		27.2.19	1	Site Plan	18	10	Pearce	1:200	1412	A101
				Client	Kostas Livas		Date	22.2.18	Drawn	PI	

**GENERAL NOTES**

1. EXISTING SEWER LINES TO BE LOCATED ON SITE PRIOR TO COMMENCEMENT OF WORK.
2. ALL PLUMBING AND DRAINAGE TO BE INSTALLED IN ACCORDANCE WITH AS3500.
3. ALL WORK TO BE CARRIED OUT IN ACCORDANCE WITH THE CANBERRA SEWERAGE AND WATER SUPPLY REGULATIONS.
4. THIS PLAN TO BE READ IN CONJUNCTION WITH APPROVED ARCHITECTURAL PLANS AND SPECIFICATIONS.
5. INSPECTION SHAFT AT PROPERTY BOUNDARY TO BE IN ACCORDANCE WITH PLUMBING NOTE No3.
6. ORG LEVELS TO BE IN ACCORDANCE WITH AS3500.2.2 CLAUSE 4.6.6.6 & 4.6.6.7 & PLUMBING NOTE 22.
7. UNPLASTICISED POLYVINYL CHLORIDE PIPE DRAINS (UPVC) TO BE CONSTRUCTED IN ACCORDANCE WITH AS2032 AND THE CANBERRA SEWERAGE AND WATER SUPPLY REGULATIONS.
8. TEMPERED HOT WATER REQUIRED AT ALL ABLUTION FIXTURES.
9. PLUMBING AND DRAINAGE TO CONFORM TO ACTPLA PLUMBING NOTES 22 AND 23.

**SANITARY FIXTURES**

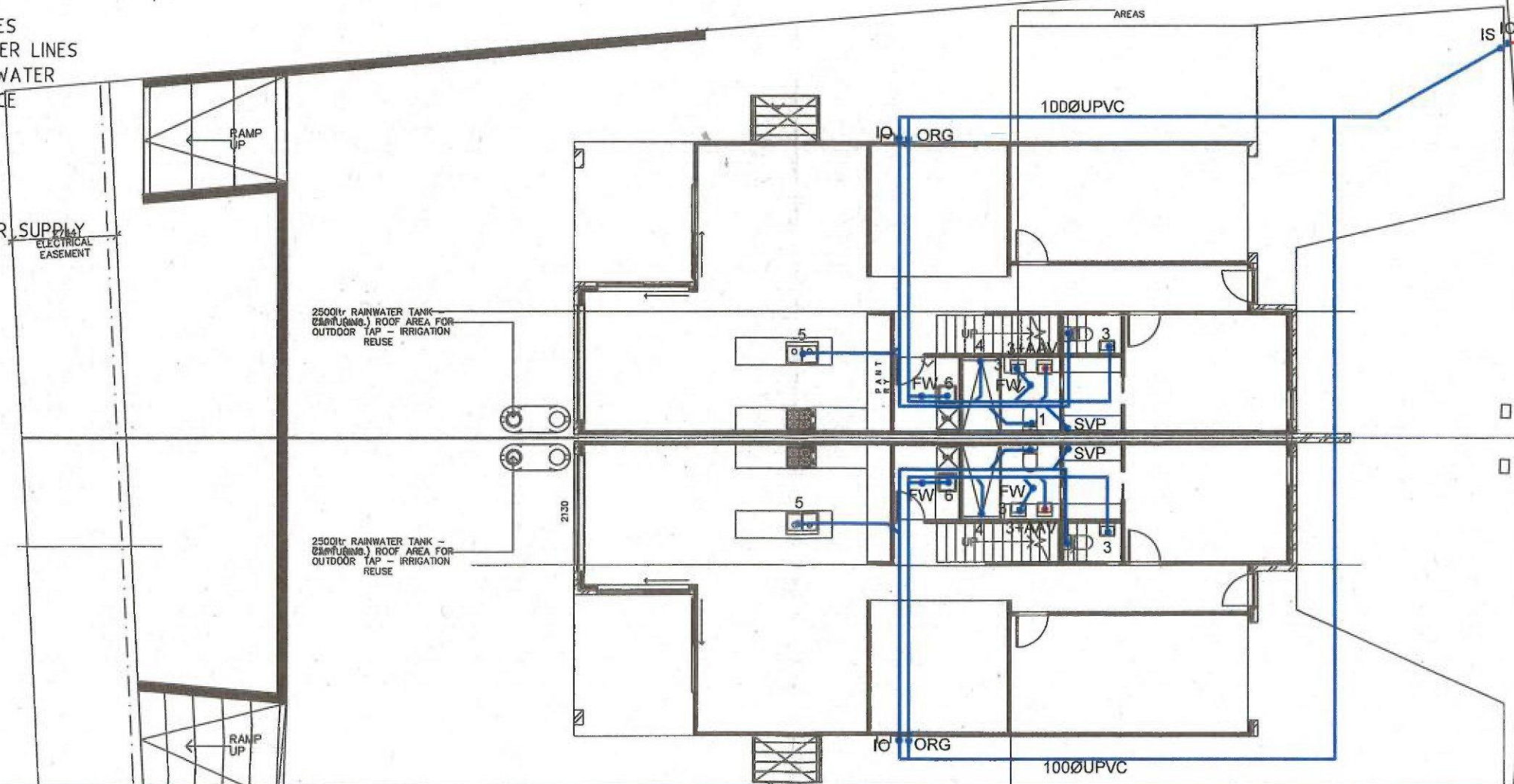
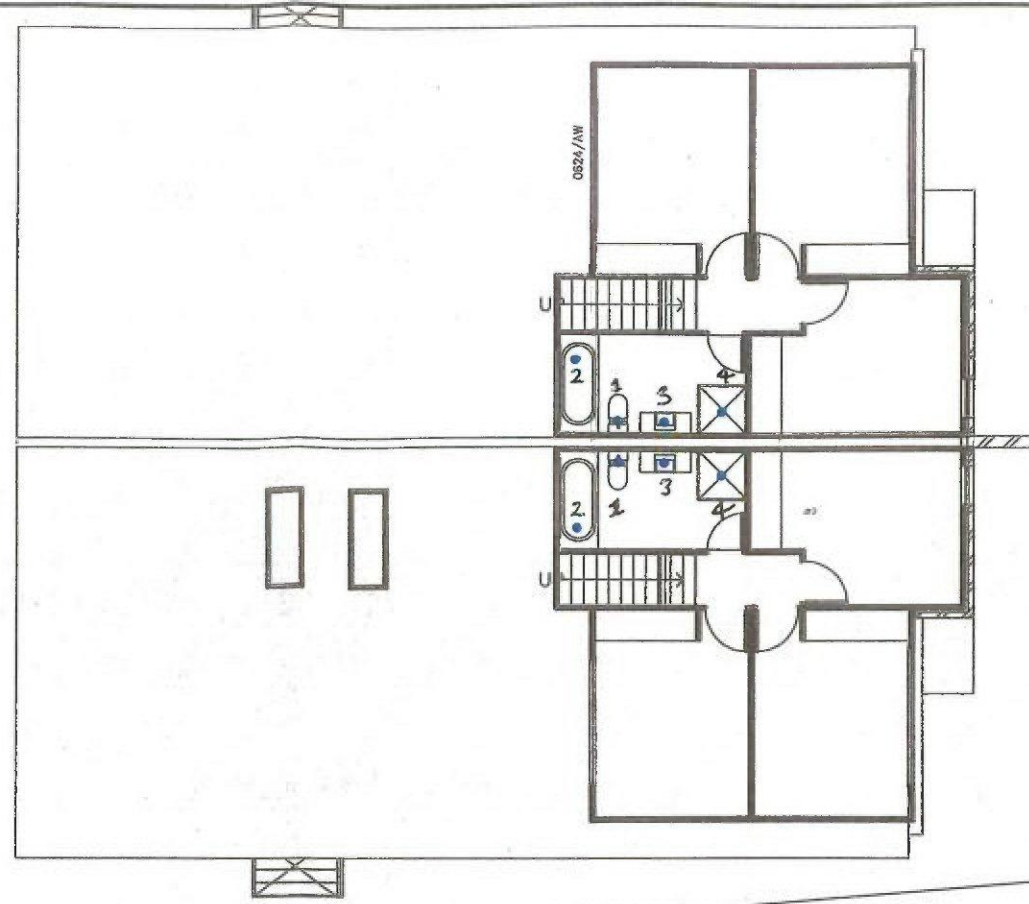
1	WC	4
2	BATH	2
3	BASIN	8
4	SHOWER	4
5	KITCHEN SINK	2
6	LAUNDRY TROUGH	2
7	URINAL	0
8	CLEANER'S SINK	0
9	BIDET	0

**LEGEND**

	SEWER MAIN
	STORMWATER MAIN
	WATER MAIN
	ABANDOND LINES
	EXISTING SEWER LINES
	EXISTING STORMWATER LINES
	EXISTING DOMESTIC WATER
	EXISTING FIRE SERVICE
	SEWER LINES
	SEWER VENT
	STORMWATER LINES
	DOMESTIC WATER
	NON-POTABLE WATER
	HOT WATER
	FIRE SERVICE
	TRADE WASTE

**DOWN PIPE NOTES**

1. DOWNPIPES MUST BE SECURELY FIXED TO WALLS.
2. THE SPACING BETWEEN DOWNPIPES MUST NOT MORE THAN 12 M.
3. DOWNPIPES MUST BE FIXED AS CLOSE AS POSSIBLE TO VALLEY GITTERS AND,IF THE DOWNPIPE IS MORE THAN 1.2M FROM VALLEY,PROVISION FOR OVERFLOW MUST BE MADE.
4. WHERE HIGH-FRONTED GUTTERS ARE INSTALLED, PROVISION MUST BE MADE TO AVOID ANY OVERFLOW FROM FLOWING BACK INTO ROOF OR BUILDING STRUCTURE BY INSTALLING SLOTTED GUTTERS OR THE LIKE.
5. DOWNPIPES MUST-
  - A. BE COMPATIBLE WITH OTHER ROOFING MATERIALS USED IN THE ROOFING SYSTEM IN ACCORDANCE WITH 3.5.3(C) OF THE B.C.A
  - B. BE SELECTED IN ACCORDANCE WITH APPROPRIATE EAVES GUTTER SECTION AS SHOWN IN TABLE 3.5.2.2 OF THE B.C.A.



DRAINAGE PLAN NUMBER: 11100

BLOCK 18 SECTION 10  
PEARCE ACT

**PLAN OF SANITARY DRAINAGE**  
DESIGNED TO AS3500

**REFERENCE**

AAV	AIR ADMITTANCE VALVE
BT	BUCKET TRAP
CO	CLEAR OUT
CWR/D	COLD WATER RISER/DROPPER
DCV	DOUBLE CHECK VALVE
DT	DISCONNECTOR TRAP
FH	FIRE HYDRANT
FHR	FIRE HYDRANT RISER
FHRR/D	FIRE HOSE REEL RISER/DROPPER
FOP	FLUSH OUT POINT
FW	FLOOR WASTE
HDPE	HEAVY DUTY POLYETHELENE
IO	INSPECTION OPENING
IS	INSPECTION SHAFT
O/F	OVERFLOW
ORG	OVERFLOW RELIEF GULLY
SC	STOP COCK
SMH	SEWER MANHOLE
SW	SILT TRAP
SVP	SOIL VENT PIPE
TD	TUNDISH
TG	TEST GATE
TTD	TRAPPED TUNDISH
UPVC	UNPLASTICISED POLYVINYL CHLORIDE
VP	VENT PIPE
WM	WATER METER
WS	WASTE STACK

SEWER HDPE  
T D 7=2.1M  
D 8.7=2.65M

SVP 11.9-3.6M  
D 3.6-1.1M

**WORK AS EXECUTED**

PLUMBING PLAN APPROVED  
APPROVED BY *[Signature]*  
REG. NUMBER \_\_\_\_\_  
DATE 20.04.21

B	WAE	25.8.2020	
A	IP	16.7.2020	
ISSUE	DESCRIPTION	DATE	CHECKED

**A.WARD**  
0409249974  
PO BOX 4311  
HAWKER ACT 2614

PROJECT  
**NEW WORKS**  
30 HODGSON CRESCENT  
PEARCE ACT  
CLIENT  
**SYNDICATE PLUMBING**

DESIGNED BY	TITLE	SCALE
DRAWN BY	HYDRAULIC SERVICES	1:150@A3
AUTHORISED		JOB NO. H01
DATE	1.7.20	DRAWING NO. 1720

# Energy Efficiency Rating



## UNDERSTANDING YOUR ENERGY EFFICIENCY RATING (EER)

---

An energy efficiency rating (EER) is a rating used to identify the energy efficiency of homes in the ACT.

The Civil Law (Sale of Residential Property) Act 2003 requires all homes being sold in the ACT to carry an energy efficiency rating (EER). This enables owners and buyers to compare a home's passive energy performance characteristics with others for sale in the Territory.

In the ACT, established homes are assessed using 1st generation software, and can achieve **0 to 6 stars** in the rating scheme.

Houses with a higher EER are more cost and energy efficient, use less energy for heating and cooling, generate lower greenhouse gas emissions, and are more comfortable.

### **What information is taken into account when assessing my homes energy efficiency?**

- Layout of the home
- Construction of its roof, walls, windows, and floor
- Wall, floor, and ceiling insulations
- Orientation of windows and shading of the sun's path and local breezes
- Influence of the local climate
- Air leakages

### **What information is not applicable when assessing my homes energy efficiency?**

- Heating and cooling
- Hot water systems
- Lighting systems and appliances
- Solar panels

### **How can I improve my energy efficiency rating?**

Your energy efficiency report will include a list of design options (unless it's already achieved the maximum rating of 6 stars). This will outline the improvements that can be made to gain additional points and increase the overall star rating of your home.

### **When I built my home, I was provided with a 10-star energy rating. Why has this decreased?**

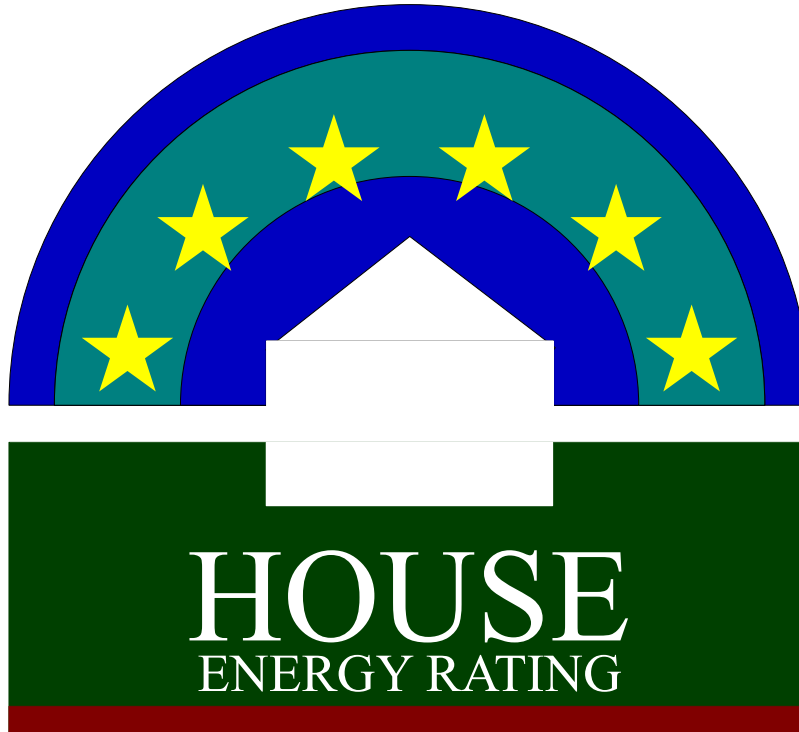
The ACT Government has two software systems in place to generate energy efficiency ratings:

1. Established homes: An on site assessment using 1st generation software. A maximum of 6 stars can be achieved.
2. Brand new homes: A computer based assessment using 2nd generation software. A maximum of 10 stars can be achieved.

If you hold an energy efficiency rating that exceeds 6 stars, it is a 2nd generation EER and would have been provided when your home was brand new.

When assessing a home's energy efficiency for the purpose of sale, property inspection companies are required to use 1st generation software, which will achieve a maximum of 6 stars.

# FirstRate Report



**YOUR HOUSE ENERGY RATING IS:** ★★☆☆☆☆ **6 STARS**  
in Climate: 24 **SCORE: 23 POINTS**

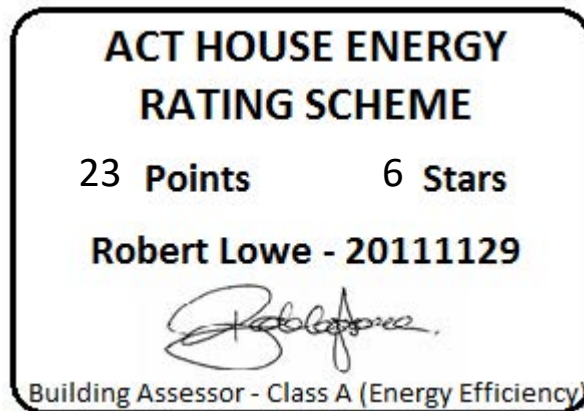
**Name:** Houston and Balmaks

**Ref No:** 68718

**House Title:** Unit 1 Block 18 Section 10 PEARCE

**Date:** 06-03-2026

**Address:** 30A Hodgson Cres, Pearce ACT 2607



This rating only applies to the floor plan, construction details, orientation and climate as submitted and included in the attached Rating Summary. Changes to any of these could affect the rating.

# IMPROVING YOUR RATING

The table below shows the current rating of your house and its potential for improvement.

Star Rating	POOR			AVERAGE				GOOD			V. GOOD	
	0 Star	★	★★	★★★	★★★★	★★★★★	★★★★★★	★★★★★★★	★★★★★★★★	★★★★★★★★★		
Point Score	-71	-70	-46	-45	-26	-25	-11	-10	4	5	16	17
<b>Current</b>	<b>23</b>											
<b>Potential</b>	<b>32</b>											

Incorporating these design options will add the additional points required to achieve the potential rating shown in the table. Each point represents about a 1% change in energy efficiency. This list is only a guide to the range of options that could be used.

## Design options

## Additional points

Change curtain to

Heavy Drapes & Pelmet

9

## ORIENTATION

Orientation is one of the key factors which influences energy efficiency. This dwelling will achieve different scores and star ratings for different orientations.

<b>Current Rating</b>	<b>23</b>	<b>★★★★★★</b>
-----------------------	-----------	---------------

Largest windows in the dwelling;

**Direction : WNW**

**Area : 14 m<sup>2</sup>**

The table below shows the total score for the dwelling when these windows face the direction indicated.

**Note that obstructions overshadowing windows have been removed from all windows in these ratings to allow better comparisons to be made between orientations.**

<b>ORIENTATION</b>	<b>POINT SCORE</b>	<b>STAR RATING</b>
1. West	24	★★★★★★
2. North West	26	★★★★★★
3. North	27	★★★★★★
4. North East	22	★★★★★★
5. East	17	★★★★★★
6. South East	15	★★★★★☆
7. South	17	★★★★★★
8. South West	20	★★★★★★

FirstRate Mode
Climate: 24

**RATING SUMMARY for: Unit 1 Block 18 Section 10 PEARCE, 30A Hodgson Cres, Pearce ACT 2607,**

Assessor's Name:

Net Conditioned Floor Area: 140.4 m<sup>2</sup>

			Points			
Feature			Winter	Summer	Total	
<b>CEILING</b>			<b>11</b>	<b>0</b>	<b>11</b>	
Surface Area:	3	Insulation: 9				
<b>WALL</b>			<b>5</b>	<b>-2</b>	<b>4</b>	
Surface Area:	-2	Insulation: 7	Mass: -2			
<b>FLOOR</b>			<b>12</b>	<b>-2</b>	<b>10</b>	
Surface Area:	0	Insulation: 4	Mass: 6			
<b>AIR LEAKAGE (Percentage of score shown for each element)</b>			<b>5</b>	<b>0</b>	<b>5</b>	
Fire Place	0 %	Vented Skylights	0 %			
Fixed Vents	0 %	Windows	39 %			
Exhaust Fans	29 %	Doors	16 %			
Down Lights	0 %	Gaps (around frames)	15 %			
<b>DESIGN FEATURES</b>			<b>0</b>	<b>1</b>	<b>1</b>	
Cross Ventilation	1					
<b>ROOF GLAZING</b>			<b>0</b>	<b>-2</b>	<b>-2</b>	
Winter Gain	1	Winter Loss	-2			
<b>WINDOWS</b>			<b>2</b>	<b>-15</b>	<b>-13</b>	
Window Direction	Area		Point Scores			
	m2	%NCFA	Winter* Loss	Winter Gain	Summer Gain	Total
NNE	12	9%	-11	15	-4	0
ESE	5	4%	-5	4	-2	-3
WNW	14	10%	-13	13	-9	-9
<b>Total</b>	<b>31</b>	<b>22%</b>	<b>-30</b>	<b>32</b>	<b>-15</b>	<b>-13</b>

\* Air movement over glazing can significantly increase winter heat losses. SEAV recommends heating/cooling duct outlets be positioned to avoid air movement across glass or use deflectors to direct air away from glass.

The contribution of heavyweight materials to the window score is 5 points

			Winter	Summer	Total
<b>RATING</b>	★ ★ ★ ★ ★ ★	<b>SCORE</b>	<b>36</b>	<b>-20</b>	<b>23*</b>

\* includes 7 points from Area Adjustment

# Detailed House Data

## House Details

ClientName Houston and Balmaks  
HouseTitle Unit 1 Block 18 Section 10 PEARCE  
StreetAddress 30A Hodgson Cres, Pearce ACT 2607  
FileCreated 06-03-2026

## Climate Details

State  
Town Canberra  
Postcode 2600  
Zone 24

## Floor Details

ID	Construction	Sub Floor	Upper	Shared	Foil	Carpet	Ins RValue	Area
1	Concrete Slab on ground	No Subfloor	No	No	No	Tiles	R1.0	9.5m <sup>2</sup>
2	Concrete Slab on ground	No Subfloor	No	No	No	Carp	R1.0	18.0m <sup>2</sup>
3	Concrete Slab on ground	No Subfloor	No	No	No	Float Timb	R1.0	78.3m <sup>2</sup>
4	Timber	Enclosed	No	No	No	Carp	R0.5	19.7m <sup>2</sup>
5	Timber	NA	Yes	No	No	Carp	R0.0	23.7m <sup>2</sup>

## Wall Details

ID	Construction	Shared	Ins RValue	Length	Height
1	Brick Veneer	No	R2.5	12.7m	2.7m
2	Framed: FC Sheet Clad	Yes	R2.5	18.5m	2.7m
3	Framed: FC Sheet Clad	No	R3.0	9.4m	2.7m
4	Framed: FC Sheet Clad	No	R4.5	11.9m	2.7m
5	Brick Veneer	No	R2.5	4.5m	2.4m
6	Framed: FC Sheet Clad	Yes	R2.5	4.2m	2.4m
7	Framed: FC Sheet Clad	No	R4.5	16.0m	2.4m

## Ceiling Details

ID	Construction	Shared	Foil	Ins RValue	Area
1	Attic - Standard	No	Yes	R5.0	105.8m <sup>2</sup>

## Window Details

ID	Dir	Height	Width	Utility	Glass	Frame	Curtain	Blind	Fixed & Adj Eave	Fixed Eave	Head to Eave
1	ESE	2.1m	0.9m	No	DG	ALIMPR	CW	No	0.0m	0.0m	0.0m
2	WNW	2.1m	3.0m	No	DG	ALIMPR	CW	No	0.0m	0.0m	0.0m
3	NNE	2.1m	2.4m	No	DG	ALIMPR	CW	No	3.8m	3.8m	0.5m
4	WNW	2.1m	2.4m	No	DG	ALIMPR	CW	No	3.0m	3.0m	0.5m
5	NNE	2.1m	0.8m	No	DG	ALIMPR	CW	No	0.0m	0.0m	0.0m
6	NNE	2.1m	0.8m	No	DG	ALIMPR	CW	No	0.0m	0.0m	0.0m
7	NNE	2.1m	1.8m	No	DG	ALIMPR	CW	No	0.0m	0.0m	0.0m
8	WNW	0.6m	2.4m	No	DG	ALIMPR	CW	No	0.0m	0.0m	0.0m
9	WNW	0.6m	1.5m	No	DG	ALIMPR	CW	No	0.0m	0.0m	0.0m
10	ESE	2.1m	0.9m	No	DG	ALIMPR	CW	No	0.0m	0.0m	0.0m
11	ESE	0.6m	2.7m	No	DG	ALIMPR	CW	No	0.0m	0.0m	0.0m

## Window Shading Details

ID	Dir	Height	Width	Obst Height	Obst Dist	Obst Width	Obst Offset	LShape Left Fin	LShape Left Off	LShape Right Fin	LShape Right Off
1	ESE	2.1m	0.9m	0.0m	0.0m	0.0m	0.0m	0.0m	0.0m	0.8m	0.0m



# Insurance Certificates & Tax Invoice

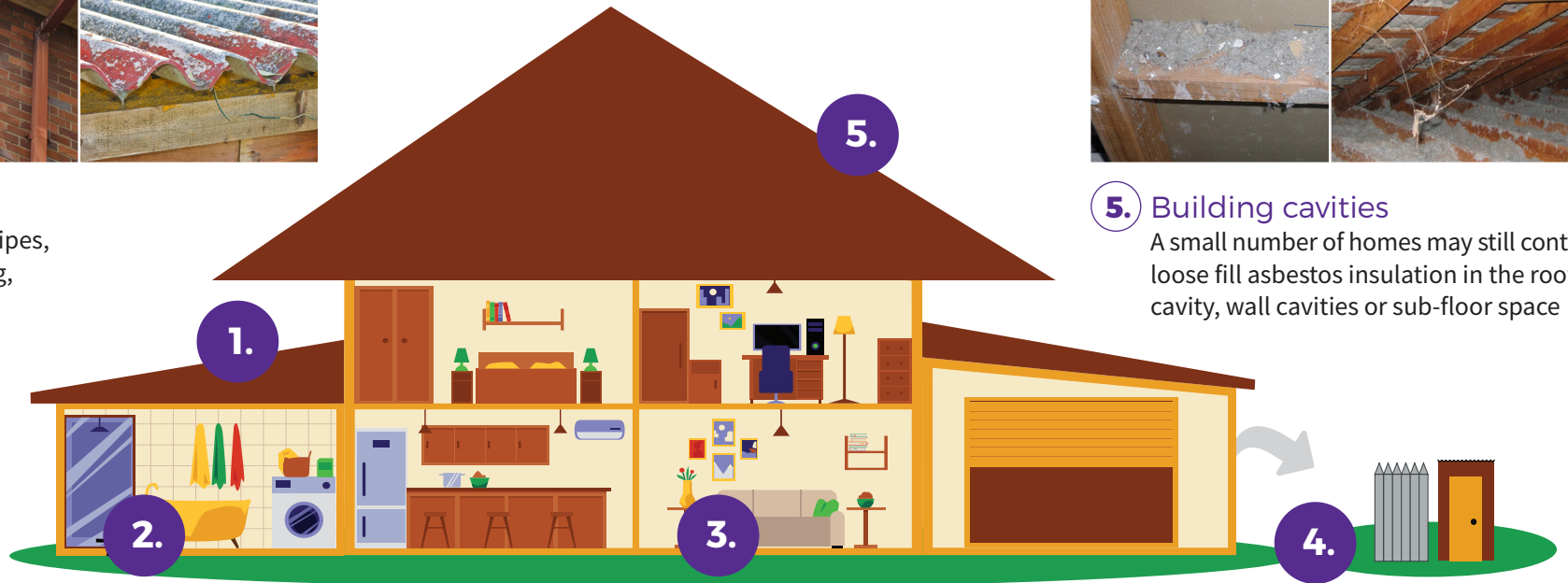


# If a home was built before 1990 it may contain dangerous asbestos material

Identify where asbestos materials might be. Five common places are:



- 1.** Exterior  
roof sheeting, gutters, downpipes,  
ridge capping, eaves, cladding,  
electrical switchboards



- 5.** Building cavities  
A small number of homes may still contain  
loose fill asbestos insulation in the roof  
cavity, wall cavities or sub-floor space



- 2.** Wet areas - bathroom, laundry and kitchen  
wall and ceiling panels, vinyl floor tiles, backing for wall tiles  
and splashbacks, hot water pipe insulation



- 3.** Internal areas  
wall and ceiling panels, carpet underlay,  
textured panels, insulation in domestic  
heaters



- 4.** Backyard  
fences, sheds, garages, carports, dog kennels, buried or  
dumped waste, letterboxes, swimming pools

# If a home was built before 1990 it may contain dangerous asbestos material

## Assess the risk

A licensed asbestos assessor can help identify asbestos in your home and its condition.

### Asbestos materials become dangerous when:



Broken or in poor  
condition



Damaged  
accidentally



Disturbed during  
renovation or repairs



Loose fill asbestos  
insulation



## Manage asbestos safely

- Monitor the condition of asbestos in your home
- Inform tradespeople of locations of asbestos in your home
- Avoid disturbing or damaging asbestos if working on your home
- Engage a licensed asbestos removalist to remove asbestos

If you suspect your home contains loose fill asbestos insulation, contact Access Canberra

## Pest Controllers Combined Liability Certificate of Currency

The Policy below is current until 4.00pm on the expiry date shown below

<b>INSURED:</b>	ACT Property Inspections Pty Ltd
<b>BUSINESS DESCRIPTION:</b>	General Pest & Weed Control Timber Pest Inspections Termite Barrier Installations Pre-Purchase House Pest Inspections Building Inspections (Non Pest Related) Energy Efficiency Ratings Compliance Reports
<b>POLICY REFERENCE:</b>	09A349653PLB
<b>PERIOD OF INSURANCE:</b>	From: 4.00pm on 30/03/2025 To: 4.00pm on 30/03/2026
<b>POLICY CLASS:</b>	Pest Controllers Combined Liability
<b>SUMS INSURED:</b>	<b>Section 1: General Public &amp; Products Liability</b>  <b>\$20,000,000</b> Our maximum liability in respect of any claim or series of claims for Personal Injury, Property Damage or Advertising Liability caused by or arising out of any one occurrence; and  <b>\$20,000,000</b> Our total aggregate liability during any one period of insurance for all claims arising out of Your Product  <b>Section 2: Professional Indemnity</b>  <b>\$5,000,000</b> Our maximum liability in respect of any Claim or any series of Claims inclusive of costs and expenses.  <b>\$10,000,000</b> Our total aggregate liability for all Claims inclusive of costs and expenses.

This Certificate of Currency is subject to the Policy Documentation to be read in conjunction with the Definitions, Conditions and Exclusions in the Pest Controllers Combined Liability Insurance Policy.

Date Issued: 28 March 2025



**ACT  
PROPERTY  
INSPECTIONS**

# TAX INVOICE

Georgia Lauren Houston and Angus Karl Balmaks  
30A Hodgson Cres  
PEARCE ACT 2607  
AUSTRALIA

**Invoice Date**  
3 Mar 2026

**Invoice Number**  
INV-68718

ACT Property Inspections  
(02) 6232 4540  
Unit 1, 33 Altree Ct  
PHILLIP ACT 2606  
ABN: 33 600 397 466

Description	Quantity	Unit Price	GST	Amount AUD
ACTPLA Fees - No GST	1.00	186.70	GST Free	186.70
Property Report	1.00	1,475.73	10%	1,475.73
Energy Efficiency Report (Complimentary)	1.00	0.00		0.00
Deferred Payment (Complimentary)	1.00	0.00		0.00
			Subtotal	1,662.43
			TOTAL GST 10%	147.57
			<b>TOTAL AUD</b>	<b>1,810.00</b>

## Due Date: 30 Aug 2026

Payment terms – Deferred payment account. This account should be paid in full within 14 days on the earlier of:

- (a) Settlement of the property
- (b) If the Property has not been listed for sale within 3 months of the Property Inspection Date
- (c) If the property is no longer listed for sale
- (d) 180 days after the Property Inspection Date

Please pay within the payment terms to avoid the Deferred Payment Fee. Note: all bank/legal fees incurred in obtaining payment will be the customer's responsibility

### Payment Options

Pexa : please quote the invoice number as the reference

Direct Deposit : BSB: 012084 Account Number: 194679655

Account Name: ACT Property Inspections Pty Ltd

Please reference your name and invoice number

Cheques : please make payable to ACT Property Inspections Pty Ltd

[View and pay online now](#)

**UNIT TITLES (MANAGEMENT) ACT 2011**

**SECTION 119**

**UNIT TITLE SALE CERTIFICATE**

**Units Plan No:** 15235

**Unit No:** 1

**Unit Entitlements:** 50

**Total Unit Entitlements:** 100

**Unit Owner at the date of this Certificate:** Georgia Lauren Houston and Angus Karl Balmaks

**(a) the name and contact details of each member of the corporation's executive committee;**

There is no formal executive committee;

**(b) the name and contact details of the corporation's manager;**

There is no corporations manager;

**(c) for each insurance policy held by the corporation;**

**(i) the type of insurance policy;**

Strata Insurance.

**(ii) the name of the insurer that issued the policy;**

GIO.

**(iii) the amount of liability covered by the policy;**

Up to \$20 million.

**(iv) a copy of the Certificate of Currency;**

Attached.

**(v) a copy of current insurance valuation report (if available);**

Not applicable.

**(d) for the general fund and the sinking fund, at the date the certificate is signed-**

**(i) the amount of the current contribution to the fund for the unit;**

Nil.

**(ii) the date the contribution for the unit is due;**

Not applicable.

**(iii) the period the contribution for the unit is for;**

Not applicable.

**(iv) whether the contribution for the unit is paid or unpaid;**

Not applicable.

**(v) the balance of the funds for the owners corporation;**

Not applicable.

**(vi) a copy of the current approved sinking fund plan, and sinking fund forecast (if available);**

Not applicable.

- (e) whether the corporation has established a special purpose fund, and if so, at the date the certificate is signed-**
- (i) the amount of the current contribution to the fund for the unit; and**  
Nil.
  - (ii) the date the contribution for the unit is due;**  
Not applicable.
  - (iii) the period the contribution for the unit is for;**  
Not applicable.
  - (iv) whether the contribution for the unit is paid or unpaid;**  
Not applicable.
  - (v) the balance of the funds for the owners corporation;**  
Not applicable.
- (f) in accordance with the corporate register, whether the developer control period has expired;**  
Not applicable.
- (g) whether the corporation has borrowed money and the details of those borrowings;**  
Nil.
- (h) whether the corporation has installed sustainability infrastructure and, if so, who owns it;**  
Nil.
- (i) a summary of any current contracts for service contractors appointed by the corporation;**  
Nil.
- (j) whether the corporation has applied to the Planning and Land Authority for an extension of the Crown lease;**  
Not applicable.
- (k) the place where the corporation's records can be inspected, and the name and contact details of the person to be contacted to arrange inspection.**  
No records are kept.
- (l) copies of the minutes of meetings of the owners corporation and the executive committee:**
- (i) for a unit title certificate, held in the 2 years before the date of the certificate; or**  
Nil.
  - (ii) for unit title update certificate, held from the date of the unit title certificate ending on the date of the unit title update certificate.**  
Not applicable.

### Additional Information

All general rates and charges for supply of water and sewerage and water and sewerage usage are separately issued to each unit.

Strata Insurance cost is split according to unit entitlements.

The fee for this Certificate is \$342.00 (includes GST).

DATE: 11/3/2026

Signed by The Owners of Unit Plan 15235

Signed by:  
*Georgia Lauren Houston*  
Signature: \_\_\_\_\_  
P49E050334B0490  
Georgia Lauren Houston

Signed by:  
*Angus Karl Balmaks*  
Signature: \_\_\_\_\_  
4D28C0319DFF4AD...  
Angus Karl Balmaks

Signed by:  
*Paul Curwell*  
Signature: \_\_\_\_\_  
A063195F4FA6476...  
Paul Curwell

Signed by:  
*Jerome Loo*  
Signature: \_\_\_\_\_  
57CAE64460844C5...  
Jerome Loo



Enquiries: 13 10 10  
 Claims: 13 14 46 (24/7 for new claims)  
 gio.com.au

# Certificate of Insurance

Please read the information on your Certificate of Insurance carefully.

Please also check the amount of cover meets your needs.

If any of the information below is incorrect or incomplete, please contact us on 13 10 10.

**Insured: The Owners Units Plan 15235**

**Type of cover: Strata Insurance**

Policy number

HGS039255730

**Insured address**

UNIT 1 AND UNIT 2 30 HODGSON CRES, PEARCE ACT 2607

**Building sum insured**

\$1,736,500

**Legal Liability**

up to \$20 million

**Period of insurance**

From 5 October 2025 until 11:59pm 5 October 2026

## Excess details

You may be able to reduce your premium if you choose a higher standard excess.

**Building standard excess**

\$1,000

You will have to pay the following excesses in addition if they apply in the circumstances of your claim

Water damage excess	\$200
Theft or burglary by lot occupiers or their guests excess	\$500
Malicious acts and vandalism by lot occupiers or their guests excess	\$500
Unoccupied excess	\$1,000



Enquiries: 13 10 10  
Claims: 13 14 46 (24/7 for new claims)  
gio.com.au

## What you have told us

---

This document sets out the information that we have relied on to decide if we can insure you and on what terms. We may give you a copy of the information you have previously told us. If any of this information has changed, or is incorrect, please contact us.

### You have told us the following about the insured address

- It is a semi detached duplex/triplex/quadplex
- It is 100% owner occupied
- There is no business activity operating at or from the insured address
- The insured address is well maintained and in good condition. This includes, but is not limited to, there are: no leaks, holes, damage, rust, or wood rot in the roof, gutters, windows, walls, floors, fences, or anywhere else; no damage to foundations, walls, steps, flooring, ceilings, gates, and fences and is structurally sound; no damage from or infestation of termites, ants, vermin, or other pests; no broken, missing glass or boarded-up windows. Refer to the PDS for further details.
- It is not undergoing any renovations

### You have told us the following about the construction of the building

- It is a double level with 2 units, brick walls, steel/colorbond roof, cement floors, built in 2021
- The building does not have a lift and does not have a swimming pool/spa
- The building does not have recreational areas
- The building does not have any balconies

### You have told us the following about the security of the insured address

- There is no additional door or building security
- It has no monitored smoke detectors

## Insurance history

---

### You have told us that in the past 3 years:

- You or anyone to be insured under this policy have NOT had an insurer decline or cancel a policy, impose specific conditions on a policy, or refuse a claim
- You or anyone to be insured under this policy have NOT had any insurance claims on strata insurance (excluding any claims made on this policy)

If any of the above information is incorrect, please contact us.

## When you must contact us

---

It is important that you check the information provided on your Certificate of Insurance. If any details are incorrect or have changed, you should contact us to update your details.

Also, when you hold a policy with us, there are other circumstances you need to tell us about during the period of insurance. These circumstances are set out in the 'When you must contact us' section of your PDS. If you don't contact us when you should, we may either refuse or reduce payment of a claim. It may also lead us to cancel your policy.

## Privacy

---

We appreciate privacy is important to you. GIO is committed to protecting your personal information. For further information, please refer to our customer privacy statement by visiting [www.gio.com.au/privacy](http://www.gio.com.au/privacy) or call us on 13 10 10.

For complaints concerning GIO products or services, you can phone us on 1300 264 094; write to us at: GIO Customer Relations Team, PO Box 14180, Melbourne City Mail Centre VIC 8001; or email us on [idr@gio.com.au](mailto:idr@gio.com.au). You may have spoken about your policy with a Distributor providing financial services appointed under AFSL 230859 and representing AAI Limited ABN 48 005 297 807 trading as GIO (AAI). Distributors include EXL Service Philippines Inc. and/or WNS Global Services Philippines Inc. and their staff. AAI remunerates corporate distributors on a fee for service basis while their staff receive a salary comprising commission where they meet sales, risk, quality and behavioural targets.